



MULTIPLE RECESSED



CONTENTS

MULTIPLE RECESSED

AMIGO LED 15W	14
AMIGO LED 26W	34
LED 15W	54
LED 26W	70
GU10	86
MR16	98
PAR20	112
PAR30	120
PULLDOWN LED	132
DIFFUSED LENS LED	144
LED 12W	156
LINEAR PANEL LED	168
HOUSING SPECIFICATIONS	174
TRIM / TRIMLESS INSTALLATION STEPS	190

SURFACE MULTIPLE

SANTO LED 11W	194
NYMARK LED 10W	198
ACURA LED 10W	202
STAVRO LED 9W	208
KANO LED 3W	216
VISION LED 5W	224
VENUE LED 9.2W	230

RECESSED

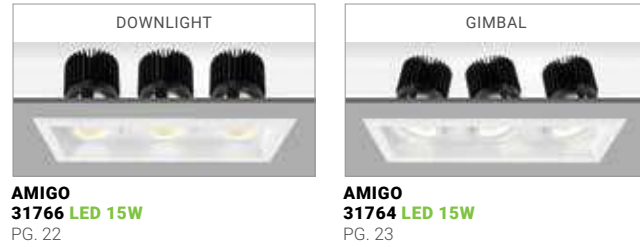
2" LED	237
2 1/2" LED	240
3" LED	244
3 1/2" LED	246
4" LED	256
5" LED	264
6" LED	266
8" LED	278
SLIM LED	282
3" MR16 GU10	294
3 1/4" MR16 GU10	310
4" MR16 GU10	330
4" PAR 20	344
6" PAR 30-38 A19	352
ACCESSORIES	360



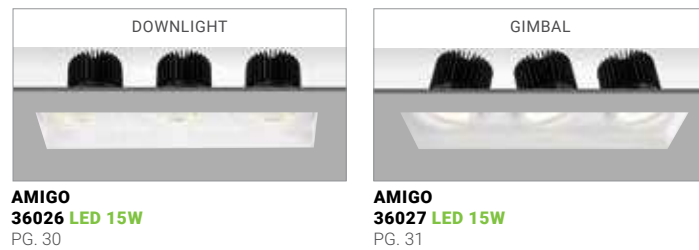
Multiple Recessed

AMIGO LED 15W

TRIM COLLECTION



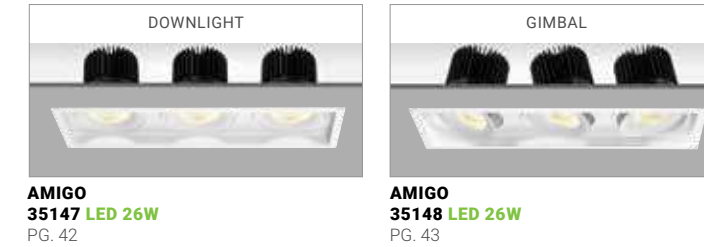
TRIMLESS COLLECTION



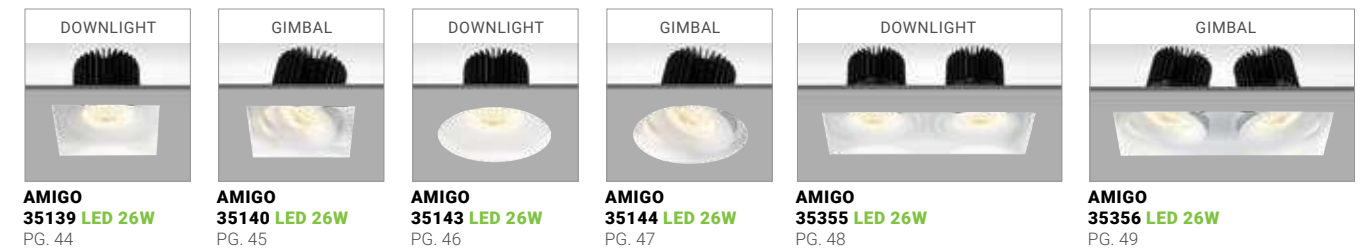
Multiple Recessed

AMIGO LED 26W

TRIM COLLECTION



TRIMLESS COLLECTION



THUMBNAILS

Multiple Recessed

LED 15W

TRIM COLLECTION



TE161LED LED 15W PG. 56
 TE162LED LED 15W PG. 58
 TE163LED LED 15W PG. 60
 TE164BLED LED 15W PG. 62
 TE164ALED LED 15W PG. 64

TRIMLESS COLLECTION



TE611LED LED 15W PG. 57
 TE612LED LED 15W PG. 59
 TE613LED LED 15W PG. 61
 TE614BLED LED 15W PG. 63

LED 26W

TRIM COLLECTION



TE131LED LED 26W PG. 72
 TE132LED LED 26W PG. 74
 TE133LED LED 26W PG. 76
 TE134BLED LED 26W PG. 78
 TE134ALED LED 26W PG. 80

TRIMLESS COLLECTION



TE221LED LED 26W PG. 73
 TE222LED LED 26W PG. 75
 TE223LED LED 26W PG. 77
 TE224BLED LED 26W PG. 79

GU10

TRIM COLLECTION



TE111GU10 PG. 88
 TE112GU10 PG. 90
 TE113GU10 PG. 92
 TE114BGU10 PG. 94
 TE114AGU10 PG. 96

TRIMLESS COLLECTION



TE211GU10 PG. 89
 TE212GU10 PG. 91
 TE213GU10 PG. 93
 TE214BGU10 PG. 95

Multiple Recessed

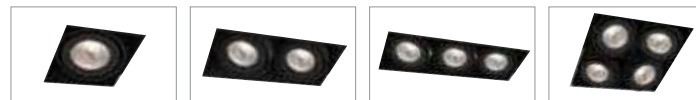
MR16

TRIM COLLECTION



TE111 TE111TR PG. 100
 TE112 TE112TR PG. 102
 TE113 TE113TR PG. 104
 TE114B TE114BTR PG. 106
 TE114A TE114ATR PG. 108
 TE116A TE116ATR PG. 109

TRIMLESS COLLECTION



TE211 TE211TR PG. 101
 TE212 TE212TR PG. 103
 TE213 TE213TR PG. 105
 TE214B TE214BTR PG. 107

PAR 20

TRIM COLLECTION



TE161 PG. 114
 TE162 PG. 115
 TE163 PG. 116
 TE164B PG. 117
 TE164A PG. 118
 TE166A PG. 119

PAR 30

TRIM COLLECTION



TE131 PG. 122
 TE132 PG. 124
 TE133 PG. 126
 TE134B PG. 128
 TE134A PG. 130
 TE136A PG. 131

TRIMLESS COLLECTION



TE221 PG. 123
 TE222 PG. 125
 TE223 PG. 127
 TE224B PG. 129

Multiple Recessed

PULLDOWN

LED COLLECTION



DIFFUSED LENS

LED COLLECTION



LED 12W

COLLECTION



LINEAR PANEL

LED COLLECTION



Surface Multiple

THE SANTO COLLECTION LED 11W



THE NYMARK COLLECTION LED 10W



THE ACURA COLLECTION LED 10W



THE STAVRO COLLECTION LED 9W



THE KANO COLLECTION LED 3W



THE VISION COLLECTION LED 5W



THE VENUE COLLECTION LED 9.2W



THUMBNAILS

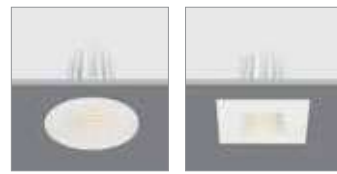
Recessed

2" LED RECESSED



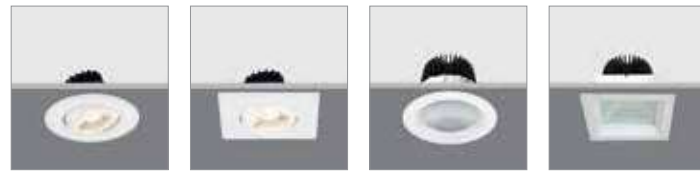
34894 PG. 237
23283-015 PG. 238
23284-012 PG. 239

2 1/2" LED RECESSED



34890 PG. 240
34891 PG. 241

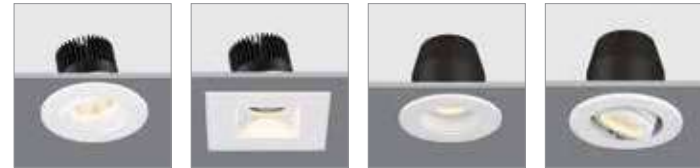
3" LED RECESSED



34895 PG. 242
34892 PG. 243
30351-011 PG. 244
31903-011 PG. 245

3 1/2" LED RECESSED

BAFFLE / GIMBAL LED RECESSED



34897 PG. 246
34898 PG. 247
31216 PG. 248
31224 PG. 249

SHOWER LED RECESSED



31667 PG. 250
31228-57 PG. 251

REGRESS LED RECESSED



31220-02 PG. 252
31218-02 PG. 253
31222-02 PG. 254

SPECULAR LED RECESSED



31681-49 PG. 255

4" LED RECESSED

SPECULAR LED RECESSED



34896 PG. 256
21809-019 PG. 257
21968-013 PG. 258

ARCHITECTURAL LED RECESSED

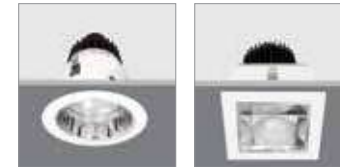


4RM PG. 259
4NC PG. 260
4AP PG. 261
29682 PG. 262
29681 PG. 263

Recessed

5" LED RECESSED

SPECULAR LED RECESSED



21811-012 PG. 264
21970-016 PG. 265

6" LED RECESSED

GIMBAL LED RECESSED



21864-018 PG. 268

PULLDOWN LED RECESSED



21813-016 PG. 272

ARCHITECTURAL LED RECESSED



6RM PG. 273
6NC PG. 274
6AP PG. 275
29684 PG. 276
29683 PG. 277

8" LED RECESSED

ARCHITECTURAL LED RECESSED



8RM PG. 279
8NC PG. 280
8AP PG. 281

4" ULTRA SLIM LED RECESSED



28987 PG. 284
28988 PG. 284
31488 PG. 285

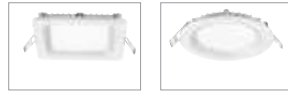
6" ULTRA SLIM LED RECESSED



28990 PG. 285

Recessed

4" RIBBED LED RECESSED



31242
PG. 286

31243
PG. 286

6" RIBBED LED RECESSED



31244
PG. 287

31245
PG. 287

4" DOME LED RECESSED



30425
PG. 290

30426
PG. 290

6" DOME LED RECESSED



31434
PG. 291

31433
PG. 291

3" MR16 | GU10



TE90 PG. 294 **TE04** PG. 294 **TE02** PG. 295 **TE01** PG. 295 **23286** PG. 298 **23287** PG. 298 **23660** PG. 297 **TE06** PG. 297 **TR-A301** PG. 299



23929 PG. 300 **23930** PG. 300 **23940** PG. 301 **23939** PG. 301 **23935** PG. 303 **23936** PG. 303 **24808** PG. 304 **23933** PG. 305 **23934** PG. 305



24802 PG. 306 **23931** PG. 307 **23932** PG. 307 **TERE-00** PG. 308 **VHG-4N01-00** PG. 308 **VHG-4I01-00** PG. 308 **GU3-00** PG. 309 **GUC3-00** PG. 309 **GUI3-00** PG. 309

3 1/4" MR16 | GU10



23937 PG. 311 **23938** PG. 311 **24799** PG. 312 **24800** PG. 312 **24801** PG. 313 **22750** PG. 314 **22751** PG. 314 **22748** PG. 315 **22749** PG. 315



TR-G14 PG. 318 **TE98** PG. 318 **TR-G02** PG. 319 **21777** PG. 320 **21778** PG. 320 **TR-M07** PG. 321 **19597** PG. 322 **19596** PG. 322 **21779** PG. 323



TR-G15 PG. 325 **TE21** PG. 325 **TERE-325** PG. 327 **TENC-325B** PG. 327 **TEIN-325** PG. 327 **GU325** PG. 329 **GUC325** PG. 329 **GUI325** PG. 329

Recessed

4" MR16 | GU10 | PAR20



19158 PG. 330 **14486** PG. 330 **19162** PG. 331 **R010** PG. 332 **R011** PG. 333 **19160** PG. 333 **R014** PG. 334 **R009** PG. 335 **R013** PG. 335



19159 PG. 334 **19161** PG. 339 **23336** PG. 336 **23337** PG. 336 **R012** PG. 337 **TR-A401** PG. 339 **19165** PG. 344 **19167** PG. 344 **TR-P401** PG. 345



19163 PG. 345 **TR-P402** PG. 348 **19164** PG. 348 **TR-P403** PG. 347 **TR-P405** PG. 349 **21780** PG. 349 **RH04** PG. 341 **NC04-B** PG. 341 **IC04** PG. 341



GU4-00 PG. 343 **GUC4-00** PG. 343 **GUI4-00** PG. 343 **HG-4PR** PG. 351 **HG-4PN** PG. 351 **HG-4PI** PG. 351

6" PAR30/38 | A19 | GU10



19172 PG. 352 **19327** PG. 352 **TR-P602** PG. 355 **TR-P601** PG. 356 **TR-P603** PG. 355 **19170** PG. 356 **TR-A601** PG. 357 **TR-A602** PG. 357 **HG-6PR** PG. 359



21953-019
PG. 359

RECESSED ACCESSORIES



31278-010 PG. 360 **32552-010** PG. 360 **32553-017** PG. 360 **21948-018** PG. 361 **24119-016** PG. 361 **22277-015** PG. 361 **12997-015** PG. 361 **15024-015** PG. 361 **12998-012** PG. 361











VHG-4N01-00 PG. 362 **VHG-4I01-00** PG. 362 **20033-019** PG. 362



MULTIPLE RECESSED AMIGO LED 15W 



TRIM		TRIMLESS	
DOWNLIGHT	GIMBAL	DOWNLIGHT	GIMBAL
28721  PG 16	28722  PG 17	28717  PG 24	28718  PG 25
28719  PG 18	28720  PG 19	28715  PG 26	28716  PG 27
31765  PG 20	31763  PG 21	36024  PG 28	36025  PG 29
31766  PG 22	31764  PG 23	36026  PG 30	36027  PG 31

MULTIPLE RECESSED AMIGO LED 15W



DOWNLIGHT

28721

HOUSING

- 18 gauge powder coated steel housing
- Remodel housing complete with adjustable mounting clips suitable for 1/2" and 5/8" drywall
- New construction plate, insulated ceiling box and airtight IC box sold separately (refer to housing options)*

LAMPING

- 1 x 15W Integrated LED TRIAC Dimming. For 0-10V and alternate dimming options consult Eurofase.
- **Beam angle:** 40°
- **Kelvin:** 3000K/3500K
- **Lumen per head:** 1290lm
- **CRI:** 90+

ELECTRICAL

- Class 2 dimmable constant current driver (included)
- Driver box mates to fixture by 12" flexible BX cable
- Thermally protected
- **Input voltage:** 120V. For 277V and 347V input options consult Eurofase.

DIMENSIONS

- **Cut hole:** 3 1/4"L x 3 1/4"W
- **Fixture:** 3 7/8"L x 3 7/8"W x 5 3/4"H

PHOTOMETRICS

- See pg 32

CUSTOMIZATION

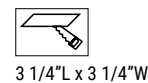
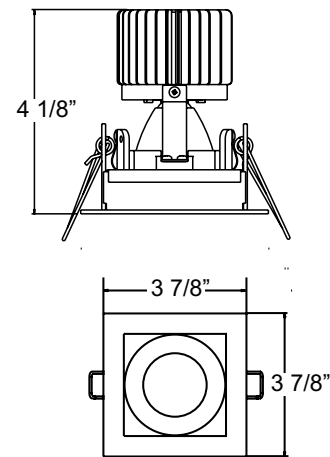
- For customization, please consult Eurofase

SPECIFICATION:

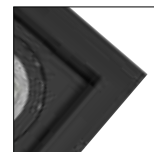


WATTS	LUMENS	KELVIN	DIMMABLE	CRI	BEAM ANGLE
15W	1290lm	3000K / 3500K	TRIAC	90+	40°

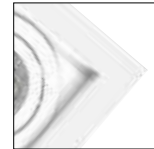
PRODUCT DIMENSION:



FINISHES:



-025 Black



-017 White

ORDERING GUIDE:

MODEL	KELVIN	FINISH
28721	-30 3000K	-025 Black
	-35 3500K	-017 White

EXAMPLE: 28721-30-025

***HOUSING OPTIONS (SOLD SEPARATELY):**

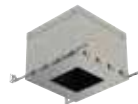
Refer to page 174 for housing specification

30535-015 NEW CONSTRUCTION PLATE

30531-021 AIRTIGHT IC BOX
30531-017 INSULATED CEILING BOX



Cut Hole 3 1/4"L x 3 1/4"W
Dimension 11"L x 9"W x 1 3/8"H



Cut Hole 3 1/4"L x 3 1/4"W
Dimension 11"L x 9"W x 9 1/2"H



GIMBAL

28722

HOUSING

- 18 gauge powder coated steel housing
- Remodel housing complete with adjustable mounting clips suitable for 1/2" and 5/8" drywall
- New construction plate, insulated ceiling box and airtight IC box sold separately (refer to housing options)*

GIMBAL

- Adjustable direction suit different application requirement
- **Tilt:** 30°

LAMPING

- 1 x 15W Integrated LED TRIAC Dimming. For 0-10V and alternate dimming options consult Eurofase.
- **Beam angle:** 40°
- **Kelvin:** 3000K/3500K
- **Lumen per head:** 1290lm
- **CRI:** 90+

ELECTRICAL

- Class 2 dimmable constant current driver (included)
- Driver box mates to fixture by 12" flexible BX cable
- Thermally protected
- **Input voltage:** 120V. For 277V and 347V input options consult Eurofase.

DIMENSIONS

- **Cut hole:** 3 1/4"L x 3 1/4"W
- **Fixture:** 3 7/8"L x 3 7/8"W x 5 3/4"H

PHOTOMETRICS

- See pg 32

CUSTOMIZATION

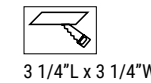
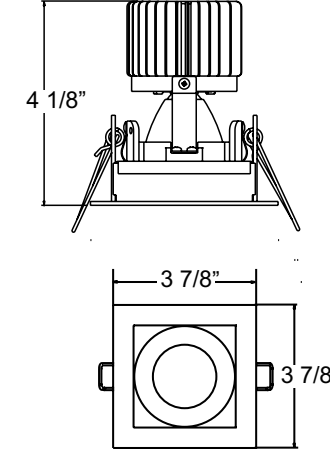
- For customization, please consult Eurofase

SPECIFICATION:

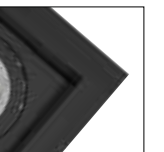


WATTS	LUMENS	KELVIN	DIMMABLE	CRI	BEAM ANGLE	TILT
15W	1290lm	3000K / 3500K	TRIAC	90+	40°	30°

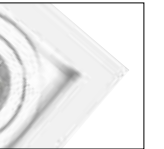
PRODUCT DIMENSION:



FINISHES:



-021 Black



-014 White

ORDERING GUIDE:

MODEL	KELVIN	FINISH
28722	-30 3000K	-021 Black
	-35 3500K	-014 White

EXAMPLE: 28722-30-021

***HOUSING OPTIONS (SOLD SEPARATELY):**

Refer to page 174 for housing specification

30535-015 NEW CONSTRUCTION PLATE

30531-021 AIRTIGHT IC BOX
30531-017 INSULATED CEILING BOX



Cut Hole 3 1/4"L x 3 1/4"W
Dimension 11"L x 9"W x 1 3/8"H



Cut Hole 3 1/4"L x 3 1/4"W
Dimension 11"L x 9"W x 9 1/2"H



DOWNLIGHT

28719

HOUSING

- 18 gauge powder coated steel housing
- Remodel housing complete with adjustable mounting clips suitable for 1/2" and 5/8" drywall
- New construction plate, insulated ceiling box and airtight IC box sold separately (refer to housing options) *

LAMPING

- 1 x 15W Integrated LED TRIAC Dimming. For 0-10V and alternate dimming options consult Eurofase.
- **Beam angle:** 40°
- **Kelvin:** 3000K
- **Lumen per head:** 1290lm
- **CRI:** 90+

ELECTRICAL

- Class 2 dimmable constant current driver (included)
- Driver box mates to fixture by 12" flexible BX cable
- Thermally protected
- **Input voltage:** 120V. For 277V and 347V input options consult Eurofase.

DIMENSIONS

- **Cut hole:** ø3 1/4"
- **Fixture:** ø3 7/8" x 5 3/4"H

PHOTOMETRICS

- See pg 32

CUSTOMIZATION

- For customization, please consult Eurofase

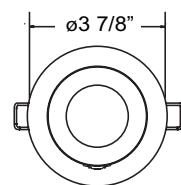
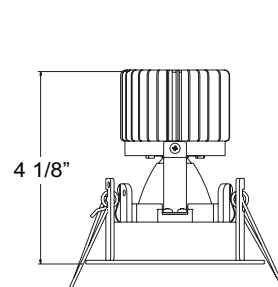


SPECIFICATION:

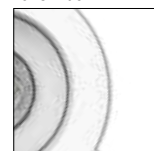
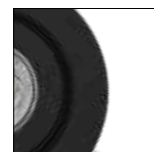


WATTS	LUMENS	KELVIN	DIMMABLE	CRI	BEAM ANGLE
15W	1290lm	3000K / 3500K	TRIAC	90+	40°

PRODUCT DIMENSION:



FINISHES:



ORDERING GUIDE:

MODEL	KELVIN	FINISH
28719	-30 3000K	-028 Black
	-35 3500K	-014 White

EXAMPLE: 28719-30-028

***HOUSING OPTIONS (SOLD SEPARATELY):**

Refer to page 174 for housing specification

30534-018 NEW CONSTRUCTION PLATE

30530-026 AIRTIGHT IC BOX

30530-010 INSULATED CEILING BOX



Cut Hole ø3 1/4"
Dimension 11"L x 9"W x 1 3/8"H



Cut Hole ø3 1/4"
Dimension 11"L x 9"W x 9 1/2"H



GIMBAL

28720

HOUSING

- 18 gauge powder coated steel housing
- Remodel housing complete with adjustable mounting clips suitable for 1/2" and 5/8" drywall
- New construction plate, insulated ceiling box and airtight IC box sold separately (refer to housing options) *

GIMBAL

- Adjustable direction suit different application requirement
- **Tilt:** 30°

LAMPING

- 1 x 15W Integrated LED TRIAC Dimming. For 0-10V and alternate dimming options consult Eurofase.
- **Beam angle:** 40°
- **Kelvin:** 3000K
- **Lumen per head:** 1290lm
- **CRI:** 90+

ELECTRICAL

- Class 2 dimmable constant current driver (included)
- Driver box mates to fixture by 12" flexible BX cable
- Thermally protected
- **Input voltage:** 120V. For 277V and 347V input options consult Eurofase.

DIMENSIONS

- **Cut hole:** ø3 1/4"
- **Fixture:** ø3 7/8" x 5 3/4"H

PHOTOMETRICS

- See pg 32

CUSTOMIZATION

- For customization, please consult Eurofase

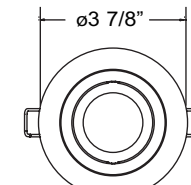
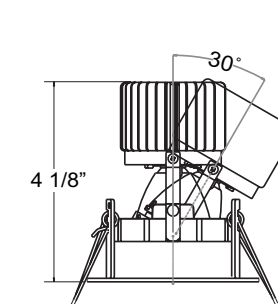


SPECIFICATION:

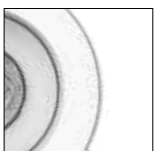


WATTS	LUMENS	KELVIN	DIMMABLE	CRI	BEAM ANGLE	TILT
15W	1290lm	3000K / 3500K	TRIAC	90+	40°	30°

PRODUCT DIMENSION:



FINISHES:



ORDERING GUIDE:

MODEL	KELVIN	FINISH
28720	-30 3000K	-021 Black
	-35 3500K	-010 White

EXAMPLE: 28720-30-021

***HOUSING OPTIONS (SOLD SEPARATELY):**

Refer to page 174 for housing specification

30534-018 NEW CONSTRUCTION PLATE

30530-026 AIRTIGHT IC BOX

30530-010 INSULATED CEILING BOX



Cut Hole ø3 1/4"
Dimension 11"L x 9"W x 1 3/8"H



Cut Hole ø3 1/4"
Dimension 11"L x 9"W x 9 1/2"H



DOWNLIGHT

31765

HOUSING

- 18 gauge powder coated steel housing
- Remodel housing complete with adjustable mounting clips suitable for 1/2" and 5/8" drywall
- New construction plate, insulated ceiling box and airtight IC box sold separately (refer to housing options)*

LAMPING

- 2 x 15W Integrated LED TRIAC Dimming. For 0-10V and alternate dimming options consult Eurofase.
- **Beam angle:** 40°
- **Kelvin:** 3000K/3500K
- **Lumen per head:** 1290lm
- **Total Lumen:** 2580lm
- **CRI:** 90+

ELECTRICAL

- Class 2 dimmable constant current driver (included)
- Driver box mates to fixture by 12" flexible BX cable
- Thermally protected
- **Input voltage:** 120V. For 277V and 347V input options consult Eurofase.

DIMENSIONS

- **Cut hole:** 6 13/16"L x 3 3/8"W
- **Fixture:** 7 5/16"L x 3 7/8"W x 5 3/4"H

PHOTOMETRICS

- See pg 32

CUSTOMIZATION

- For customization, please consult Eurofase

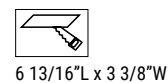
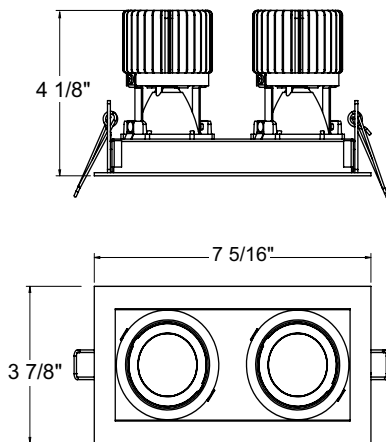


SPECIFICATION:

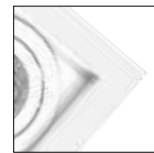
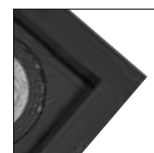


WATTS PER HEAD	LUMENS PER HEAD	KELVIN	DIMMABLE	CRI	BEAM ANGLE
15W	1290lm	3000K / 3500K	TRIAC	90+	40°

PRODUCT DIMENSION:



FINISHES:



ORDERING GUIDE:

MODEL	KELVIN	FINISH
31765	-30 3000K	-028 Black
	-35 3500K	-015 White

EXAMPLE: 31765-30-028

***HOUSING OPTIONS (SOLD SEPARATELY):**

Refer to page 174 for housing specification

31877-015 NEW CONSTRUCTION PLATE

31879-023 AIRTIGHT IC BOX

31879-019 INSULATED CEILING BOX



Cut Hole 6 13/16"L x 3 3/8"W
Dimension 17"L x 12 3/4"W x 1 3/8"H



Cut Hole 6 13/16"L x 3 3/8"W
Dimension 17"L x 12 3/4"W x 11 1/2"H



GIMBAL

31763

HOUSING

- 18 gauge powder coated steel housing
- Remodel housing complete with adjustable mounting clips suitable for 1/2" and 5/8" drywall
- New construction plate, insulated ceiling box and airtight IC box sold separately (refer to housing options)*

GIMBAL

- Adjustable direction suit different application requirement
- **Tilt:** 30°

LAMPING

- 2 x 15W Integrated LED TRIAC Dimming. For 0-10V and alternate dimming options consult Eurofase.
- **Beam angle:** 40°
- **Kelvin:** 3000K/3500K
- **Lumen per head:** 1290lm
- **Total Lumen:** 2580lm
- **CRI:** 90+

ELECTRICAL

- Class 2 dimmable constant current driver (included)
- Driver box mates to fixture by 12" flexible BX cable
- Thermally protected
- **Input voltage:** 120V. For 277V and 347V input options consult Eurofase.

DIMENSIONS

- **Cut hole:** 6 13/16"L x 3 3/8"W
- **Fixture:** 7 5/16"L x 3 7/8"W x 5 3/4"H

PHOTOMETRICS

- See pg 32

CUSTOMIZATION

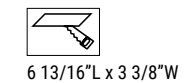
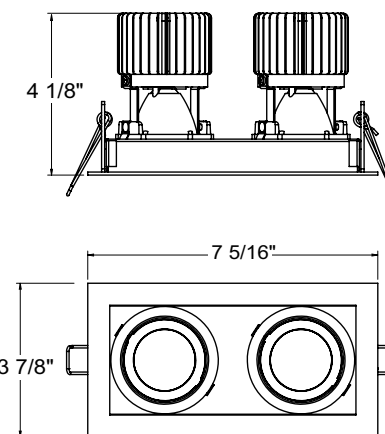
- For customization, please consult Eurofase

SPECIFICATION:

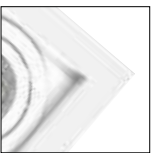
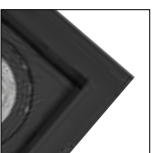


WATTS PER HEAD	LUMENS PER HEAD	KELVIN	DIMMABLE	CRI	BEAM ANGLE	TILT
15W	1290lm	3000K / 3500K	TRIAC	90+	40°	30°

PRODUCT DIMENSION:



FINISHES:



ORDERING GUIDE:

MODEL	KELVIN	FINISH
31763	-30 3000K	-023 Black
	-35 3500K	-011 White

EXAMPLE: 31763-30-023



***HOUSING OPTIONS (SOLD SEPARATELY):**

Refer to page 174 for housing specification

31877-015 NEW CONSTRUCTION PLATE

31879-023 AIRTIGHT IC BOX

31879-019 INSULATED CEILING BOX



Cut Hole 6 13/16"L x 3 3/8"W
Dimension 17"L x 12 3/4"W x 1 3/8"H



Cut Hole 6 13/16"L x 3 3/8"W
Dimension 17"L x 12 3/4"W x 11 1/2"H



DOWNLIGHT

31766

HOUSING

- 18 gauge powder coated steel housing
- Remodel housing complete with adjustable mounting clips suitable for 1/2" and 5/8" drywall
- New construction plate, insulated ceiling box and airtight IC box sold separately (refer to housing options)*

LAMPING

- 3 x 15W Integrated LED TRIAC Dimming. For 0-10V and alternate dimming options consult Eurofase.
- **Beam angle:** 40°
- **Kelvin:** 3000K/3500K
- **Lumen per head:** 1290lm
- **Total Lumen:** 3870lm
- **CRI:** 90+

ELECTRICAL

- Class 2 dimmable constant current driver (included)
- Driver box mates to fixture by 12" flexible BX cable
- Thermally protected
- **Input voltage:** 120V. For 277V and 347V input options consult Eurofase.

DIMENSIONS

- **Cut hole:** 10 1/4"L x 3 3/8"W
- **Fixture:** 10 3/4"L x 3 7/8"W x 5 3/4"H

PHOTOMETRICS

- See pg 33

CUSTOMIZATION

- For customization, please consult Eurofase



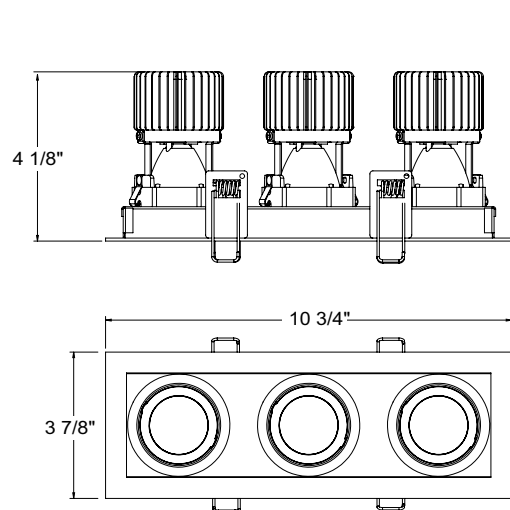
Driver box included

SPECIFICATION:



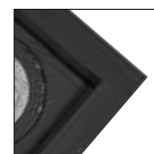
WATTS PER HEAD	LUMENS PER HEAD	KELVIN	DIMMABLE	CRI	BEAM ANGLE
15W	1290lm	3000K / 3500K	TRIAC	90+	40°

PRODUCT DIMENSION:



10 1/4"L x 3 3/8"W

FINISHES:



-024 Black



-012 White

ORDERING GUIDE:

MODEL	KELVIN	FINISH
31766	-30 3000K	-024 Black
	-35 3500K	-012 White

EXAMPLE: 31766-30-024

***HOUSING OPTIONS (SOLD SEPARATELY):**

Refer to page 174 for housing specification

31878-012 NEW CONSTRUCTION PLATE

31880-026 AIRTIGHT IC BOX

31880-015 INSULATED CEILING BOX



Cut Hole 10 1/4"L x 3 3/8"W
Dimension 25"L x 12"W x 1 3/8"H



Cut Hole 10 1/4"L x 3 3/8"W
Dimension 25"L x 12"W x 11 1/2"H



GIMBAL

31764

HOUSING

- 18 gauge powder coated steel housing
- Remodel housing complete with adjustable mounting clips suitable for 1/2" and 5/8" drywall
- New construction plate, insulated ceiling box and airtight IC box sold separately (refer to housing options)*

GIMBAL

- Adjustable direction suit different application requirement
- **Tilt:** 30°

LAMPING

- 3 x 15W Integrated LED TRIAC Dimming. For 0-10V and alternate dimming options consult Eurofase.
- **Beam angle:** 40°
- **Kelvin:** 3000K/3500K
- **Lumen per head:** 1290lm
- **Total Lumen:** 3870lm
- **CRI:** 90+

ELECTRICAL

- Class 2 dimmable constant current driver (included)
- Driver box mates to fixture by 12" flexible BX cable
- Thermally protected
- **Input voltage:** 120V. For 277V and 347V input options consult Eurofase.

DIMENSIONS

- **Cut hole:** 10 1/4"L x 3 3/8"W
- **Fixture:** 10 3/4"L x 3 7/8"W x 5 3/4"H

PHOTOMETRICS

- See pg 33

CUSTOMIZATION

- For customization, please consult Eurofase



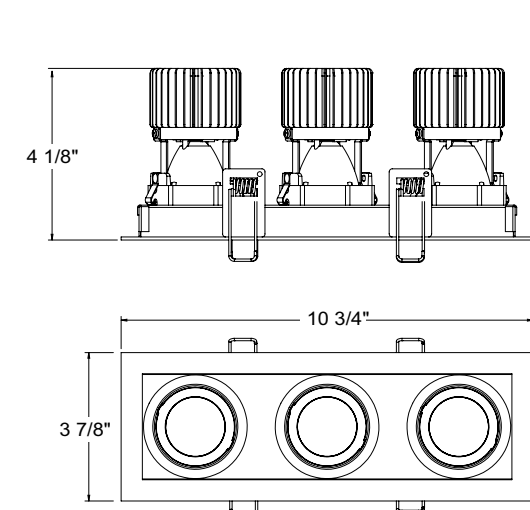
Driver box included

SPECIFICATION:



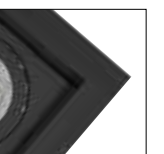
WATTS PER HEAD	LUMENS PER HEAD	KELVIN	DIMMABLE	CRI	BEAM ANGLE	TILT
15W	1290lm	3000K / 3500K	TRIAC	90+	40°	30°

PRODUCT DIMENSION:

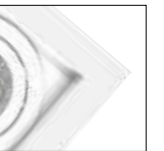


10 1/4"L x 3 3/8"W

FINISHES:



-022 Black



-018 White

ORDERING GUIDE:

MODEL	KELVIN	FINISH
31764	-30 3000K	-022 Black
	-35 3500K	-018 White

EXAMPLE: 31764-30-022

***HOUSING OPTIONS (SOLD SEPARATELY):**

Refer to page 174 for housing specification

31878-012 NEW CONSTRUCTION PLATE

31880-026 AIRTIGHT IC BOX

31880-015 INSULATED CEILING BOX



Cut Hole 10 1/4"L x 3 3/8"W
Dimension 25"L x 12"W x 1 3/8"H



Cut Hole 10 1/4"L x 3 3/8"W
Dimension 25"L x 12"W x 11 1/2"H



TRIMLESS
DOWNLIGHT

28717

HOUSING

- 18 gauge powder coated steel housing
- New construction plate, insulated ceiling box and airtight IC box sold separately (refer to housing options)*

MESH PLATE

- Steel mesh plate (included)
- Perforated perimeter allows mud to bond to mounting surface leaving a seamless finish in the ceiling

LAMPING

- 1 x 15W Integrated LED TRIAC Dimming. For 0-10V and alternate dimming options consult Eurofase.
- **Beam angle:** 40°
- **Kelvin:** 3000K
- **Lumen per head:** 1290lm
- **CRI:** 90+

ELECTRICAL

- Class 2 dimmable constant current driver (included)
- Driver box mates to fixture by 12" flexible BX cable
- Thermally protected
- **Input voltage:** 120V. For 277V and 347V input options consult Eurofase.

DIMENSIONS

- **Cut hole:** 3"L x 3"W
- **Fixture:** ø2 3/4" x 4 1/8"H

PHOTOMETRICS

- See pg 32

CUSTOMIZATION

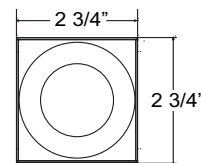
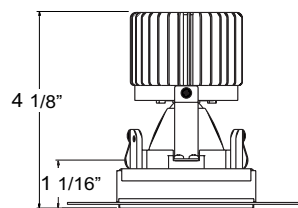
- For customization, please consult Eurofase

SPECIFICATION:



WATTS	LUMENS	KELVIN	DIMMABLE	CRI	BEAM ANGLE
15W	1290lm	3000K / 3500K	TRIAC	90+	40°

PRODUCT DIMENSION:



3"L x 3"W

FINISHES:



-024 Black



-010 White



Mesh plate included



Driver box included

ORDERING GUIDE:

MODEL	KELVIN	FINISH
28717	-30 3000K	-024 Black
	-35 3500K	-010 White

EXAMPLE: 28717-30-024

***HOUSING OPTIONS (SOLD SEPARATELY):**

Refer to page 174 for housing specification

30536-012 NEW CONSTRUCTION PLATE

30532-023 AIRTIGHT IC BOX

30532-014 INSULATED CEILING BOX



Cut Hole 3"L x 3"W
Dimension 11"L x 9"W x 1 3/8"H



Cut Hole 3"L x 3"W
Dimension 11"L x 9"W x 9 1/2"H



TRIMLESS
GIMBAL

28718

HOUSING

- 18 gauge powder coated steel housing
- New construction plate, insulated ceiling box and airtight IC box sold separately (refer to housing options)*

GIMBAL

- Adjustable direction suit different application requirement
- **Tilt:** 30°

MESH PLATE

- Steel mesh plate (included)
- Perforated perimeter allows mud to bond to mounting surface leaving a seamless finish in the ceiling

LAMPING

- 1 x 15W Integrated LED TRIAC Dimming. For 0-10V and alternate dimming options consult Eurofase.
- **Beam angle:** 40°
- **Kelvin:** 3000K
- **Lumen per head:** 1290lm
- **CRI:** 90+

ELECTRICAL

- Class 2 dimmable constant current driver (included)
- Driver box mates to fixture by 12" flexible BX cable
- Thermally protected
- **Input voltage:** 120V. For 277V and 347V input options consult Eurofase.

DIMENSIONS

- **Cut hole:** 3"L x 3"W
- **Fixture:** ø2 3/4" x 4 1/8"H

PHOTOMETRICS

- See pg 32

CUSTOMIZATION

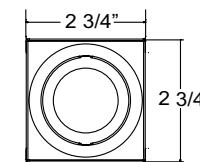
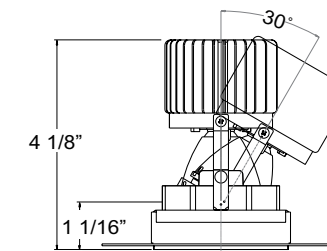
- For customization, please consult Eurofase

SPECIFICATION:



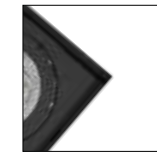
WATTS	LUMENS	KELVIN	DIMMABLE	CRI	BEAM ANGLE	TILT
15W	1290lm	3000K / 3500K	TRIAC	90+	40°	30°

PRODUCT DIMENSION:

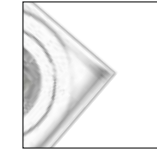


3"L x 3"W

FINISHES:



-028 Black



-017 White



Mesh plate included



Driver box included

ORDERING GUIDE:

MODEL	KELVIN	FINISH
28718	-30 3000K	-028 Black
	-35 3500K	-017 White

EXAMPLE: 28718-30-017

***HOUSING OPTIONS (SOLD SEPARATELY):**

Refer to page 174 for housing specification

30536-012 NEW CONSTRUCTION PLATE

30532-023 AIRTIGHT IC BOX

30532-014 INSULATED CEILING BOX



Cut Hole 3"L x 3"W
Dimension 11"L x 9"W x 1 3/8"H



Cut Hole 3"L x 3"W
Dimension 11"L x 9"W x 9 1/2"H



TRIMLESS
DOWNLIGHT

28715

HOUSING

- 18 gauge powder coated steel housing
- New construction plate, insulated ceiling box and airtight IC box sold separately (refer to housing options)*

MESH PLATE

- Steel mesh plate (included)
- Perforated perimeter allows mud to bond to mounting surface leaving a seamless finish in the ceiling

LAMPING

- 1 x 15W Integrated LED TRIAC Dimming. For 0-10V and alternate dimming options consult Eurofase.
- **Beam angle:** 40°
- **Kelvin:** 3000K
- **Lumen per head:** 1290lm
- **CRI:** 90+

ELECTRICAL

- Class 2 dimmable constant current driver (included)
- Driver box mates to fixture by 12" flexible BX cable
- Thermally protected
- **Input voltage:** 120V. For 277V and 347V input options consult Eurofase.

DIMENSIONS

- **Cut hole:** $\phi 3"$
- **Fixture:** $\phi 2 \frac{3}{4}" \times 4 \frac{1}{8}"H$

PHOTOMETRICS

- See pg 32

CUSTOMIZATION

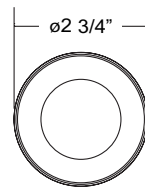
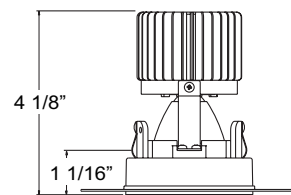
- For customization, please consult Eurofase

SPECIFICATION:



WATTS	LUMENS	KELVIN	DIMMABLE	CRI	BEAM ANGLE
15W	1290lm	3000K / 3500K	TRIAC	90+	40°

PRODUCT DIMENSION:



$\phi 3"$

ORDERING GUIDE:

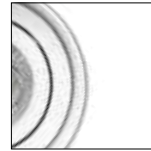
MODEL	KELVIN	FINISH
28715	-30 3000K	-024 Black
	-35 3500K	-016 White

EXAMPLE: 28715-30-024

FINISHES:



-024 Black



-016 White



Mesh plate included



Driver box included

***HOUSING OPTIONS (SOLD SEPARATELY):**

Refer to page 174 for housing specification

30537-019 NEW CONSTRUCTION PLATE

30533-028 AIRTIGHT IC BOX

30533-011 INSULATED CEILING BOX



Cut Hole $\phi 3"$
Dimension 11"L x 9"W x 1 3/8"H



Cut Hole $\phi 3"$
Dimension 11"L x 9"W x 9 1/2"H



TRIMLESS
GIMBAL

28716

HOUSING

- 18 gauge powder coated steel housing
- New construction plate, insulated ceiling box and airtight IC box sold separately (refer to housing options)*

GIMBAL

- Adjustable direction suit different application requirement
- **Tilt:** 30°

MESH PLATE

- Steel mesh plate (included)
- Perforated perimeter allows mud to bond to mounting surface leaving a seamless finish in the ceiling

LAMPING

- 1 x 15W Integrated LED TRIAC Dimming. For 0-10V and alternate dimming options consult Eurofase.
- **Beam angle:** 40°
- **Kelvin:** 3000K
- **Lumen per head:** 1290lm
- **CRI:** 90+

ELECTRICAL

- Class 2 dimmable constant current driver (included)
- Driver box mates to fixture by 12" flexible BX cable
- Thermally protected
- **Input voltage:** 120V. For 277V and 347V input options consult Eurofase.

DIMENSIONS

- **Cut hole:** $\phi 3"$
- **Fixture:** $\phi 2 \frac{3}{4}" \times 4 \frac{1}{8}"H$

PHOTOMETRICS

- See pg 32

CUSTOMIZATION

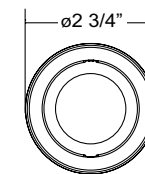
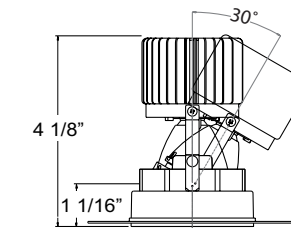
- For customization, please consult Eurofase

SPECIFICATION:



WATTS	LUMENS	KELVIN	DIMMABLE	CRI	BEAM ANGLE	TILT
15W	1290lm	3000K / 3500K	TRIAC	90+	40°	30°

PRODUCT DIMENSION:



$\phi 3"$

ORDERING GUIDE:

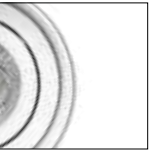
MODEL	KELVIN	FINISH
28716	-30 3000K	-028 Black
	-35 3500K	-013 White

EXAMPLE: 28716-30-028

FINISHES:



-028 Black



-013 White



Mesh plate included



Driver box included

***HOUSING OPTIONS (SOLD SEPARATELY):**

Refer to page 174 for housing specification

30537-019 NEW CONSTRUCTION PLATE

30533-028 AIRTIGHT IC BOX

30533-011 INSULATED CEILING BOX



Cut Hole $\phi 3"$
Dimension 11"L x 9"W x 1 3/8"H



Cut Hole $\phi 3"$
Dimension 11"L x 9"W x 9 1/2"H



TRIMLESS
DOWNLIGHT

36024

HOUSING

- 18 gauge powder coated steel housing
- Remodel housing complete with adjustable mounting clips suitable for 1/2" and 5/8" drywall
- New construction plate, insulated ceiling box and airtight IC box sold separately (refer to housing options)*

LAMPING

- 2 x 15W Integrated LED TRIAC Dimming. For 0-10V and alternate dimming options consult Eurofase.
- **Beam angle:** 40°
- **Kelvin:** 3000K/3500K
- **Lumen per head:** 1290lm
- **Total Lumen:** 2580lm
- **CRI:** 90+

ELECTRICAL

- Class 2 dimmable constant current driver (included)
- Driver box mates to fixture by 12" flexible BX cable
- Thermally protected
- **Input voltage:** 120V. For 277V and 347V input options consult Eurofase.

DIMENSIONS

- **Cut hole:** 6 1/2"L x 3"W
- **Fixture:** 6 1/4"L x 2 3/4"W x 4 1/8"H

PHOTOMETRICS

- See pg 32

CUSTOMIZATION

- For customization, please consult Eurofase

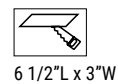
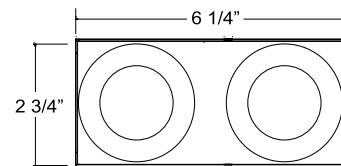
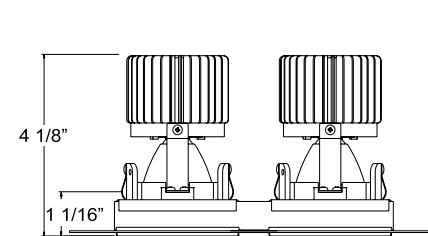


SPECIFICATION:

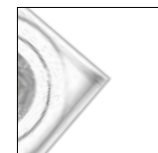
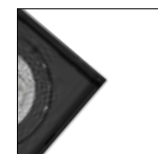


WATTS PER HEAD	LUMENS PER HEAD	KELVIN	DIMMABLE	CRI	BEAM ANGLE
15W	1290lm	3000K / 3500K	TRIAC	90+	40°

PRODUCT DIMENSION:



FINISHES:



ORDERING GUIDE:

MODEL	KELVIN	FINISH
36024	-30 3000K	-01 Black
	-35 3500K	-02 White

EXAMPLE: 36024-30-01

***HOUSING OPTIONS (SOLD SEPARATELY):**

Refer to page 174 for housing specification

36226-016 NEW CONSTRUCTION PLATE

36227-013 AIRTIGHT IC BOX



Cut Hole 6 1/2"L x 3"W
Dimension 17"L x 12 3/4"W x 1 3/8"H



Cut Hole 6 1/2"L x 3"W
Dimension 17"L x 12 3/4"W x 11 1/2"H



TRIMLESS
GIMBAL

36025

HOUSING

- 18 gauge powder coated steel housing
- Remodel housing complete with adjustable mounting clips suitable for 1/2" and 5/8" drywall
- New construction plate, insulated ceiling box and airtight IC box sold separately (refer to housing options)*

GIMBAL

- Adjustable direction suit different application requirement
- **Tilt:** 30°

LAMPING

- 2 x 15W Integrated LED TRIAC Dimming. For 0-10V and alternate dimming options consult Eurofase.
- **Beam angle:** 40°
- **Kelvin:** 3000K/3500K
- **Lumen per head:** 1290lm
- **Total Lumen:** 2580lm
- **CRI:** 90+

ELECTRICAL

- Class 2 dimmable constant current driver (included)
- Driver box mates to fixture by 12" flexible BX cable
- Thermally protected
- **Input voltage:** 120V. For 277V and 347V input options consult Eurofase.

DIMENSIONS

- **Cut hole:** 6 1/2"L x 3"W
- **Fixture:** 6 1/4"L x 2 3/4"W x 4 1/8"H

PHOTOMETRICS

- See pg 32

CUSTOMIZATION

- For customization, please consult Eurofase

***HOUSING OPTIONS (SOLD SEPARATELY):**

Refer to page 174 for housing specification

36226-016 NEW CONSTRUCTION PLATE

36227-013 AIRTIGHT IC BOX



Cut Hole 6 1/2"L x 3"W
Dimension 17"L x 12 3/4"W x 1 3/8"H



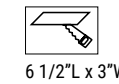
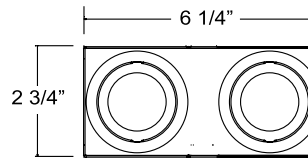
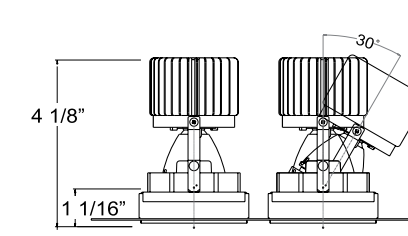
Cut Hole 6 1/2"L x 3"W
Dimension 17"L x 12 3/4"W x 11 1/2"H

SPECIFICATION:

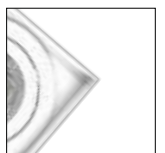


WATTS	LUMENS	KELVIN	DIMMABLE	CRI	BEAM ANGLE	TILT
15W	1290lm	3000K / 3500K	TRIAC	90+	40°	30°

PRODUCT DIMENSION:



FINISHES:



ORDERING GUIDE:

MODEL	KELVIN	FINISH
36025	-30 3000K	-01 Black
	-35 3500K	-02 White

EXAMPLE: 36025-30-01





TRIMLESS DOWNLIGHT

36026

HOUSING

- 18 gauge powder coated steel housing
- Remodel housing complete with adjustable mounting clips suitable for 1/2" and 5/8" drywall
- New construction plate, insulated ceiling box and airtight IC box sold separately (refer to housing options) *

LAMPING

- 3 x 15W Integrated LED TRIAC Dimming. For 0-10V and alternate dimming options consult Eurofase.
- **Beam angle:** 40°
- **Kelvin:** 3000K/3500K
- **Lumen per head:** 1290lm
- **Total Lumen:** 3870lm
- **CRI:** 90+

ELECTRICAL

- Class 2 dimmable constant current driver (included)
- Driver box mates to fixture by 12" flexible BX cable
- Thermally protected
- **Input voltage:** 120V. For 277V and 347V input options consult Eurofase.

DIMENSIONS

- **Cut hole:** 10"L x 3"W
- **Fixture:** 9 3/4"L x 2 3/4"W x 4 1/8"H

PHOTOMETRICS

- See pg 33

CUSTOMIZATION

- For customization, please consult Eurofase

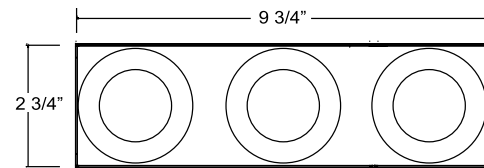
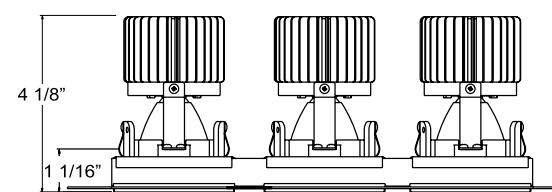


SPECIFICATION:

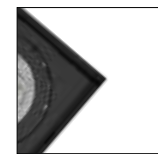


WATTS PER HEAD	LUMENS PER HEAD	KELVIN	DIMMABLE	CRI	BEAM ANGLE
15W	1290lm	3000K / 3500K	TRIAC	90+	40°

PRODUCT DIMENSION:



FINISHES:



ORDERING GUIDE:

MODEL	KELVIN	FINISH
36026	-30 3000K	-01 Black
	-35 3500K	-02 White

EXAMPLE: 36026-30-01

*HOUSING OPTIONS (SOLD SEPARATELY):

Refer to page 174 for housing specification

36229-017 NEW CONSTRUCTION PLATE

36230-013 AIRTIGHT IC BOX



Cut Hole 10"L x 3"W
Dimension 25"L x 12"W x 1 3/8"H



Cut Hole 10"L x 3"W
Dimension 25"L x 12"W x 11 1/2"H



TRIMLESS GIMBAL

36027

HOUSING

- 18 gauge powder coated steel housing
- Remodel housing complete with adjustable mounting clips suitable for 1/2" and 5/8" drywall
- New construction plate, insulated ceiling box and airtight IC box sold separately (refer to housing options) *

GIMBAL

- Adjustable direction suit different application requirement
- **Tilt:** 30°

LAMPING

- 3 x 15W Integrated LED TRIAC Dimming. For 0-10V and alternate dimming options consult Eurofase.
- **Beam angle:** 40°
- **Kelvin:** 3000K/3500K
- **Lumen per head:** 1290lm
- **Total Lumen:** 3870lm
- **CRI:** 90+

ELECTRICAL

- Class 2 dimmable constant current driver (included)
- Driver box mates to fixture by 12" flexible BX cable
- Thermally protected
- **Input voltage:** 120V. For 277V and 347V input options consult Eurofase.

DIMENSIONS

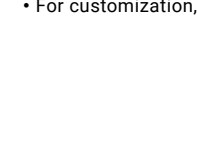
- **Cut hole:** 10"L x 3"W
- **Fixture:** 9 3/4"L x 2 3/4"W x 4 1/8"H

PHOTOMETRICS

- See pg 33

CUSTOMIZATION

- For customization, please consult Eurofase

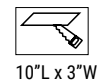
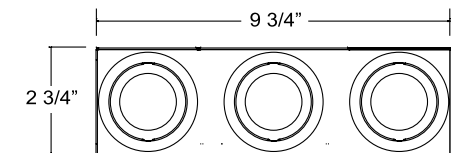
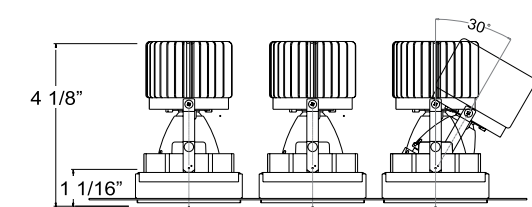


SPECIFICATION:

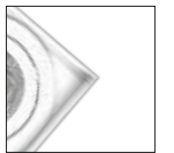
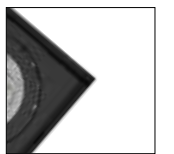


WATTS	LUMENS	KELVIN	DIMMABLE	CRI	BEAM ANGLE	TILT
15W	1290lm	3000K / 3500K	TRIAC	90+	40°	30°

PRODUCT DIMENSION:



FINISHES:



ORDERING GUIDE:

MODEL	KELVIN	FINISH
36027	-30 3000K	-01 Black
	-35 3500K	-02 White

EXAMPLE: 36027-30-01

*HOUSING OPTIONS (SOLD SEPARATELY):

Refer to page 174 for housing specification

36229-017 NEW CONSTRUCTION PLATE

36230-013 AIRTIGHT IC BOX



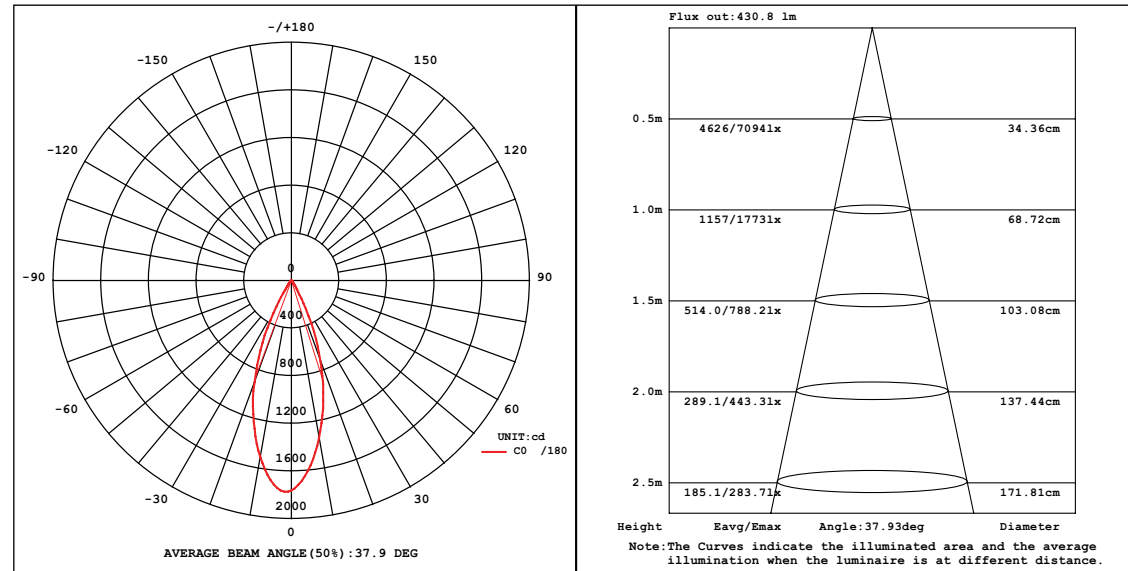
Cut Hole 10"L x 3"W
Dimension 25"L x 12"W x 1 3/8"H



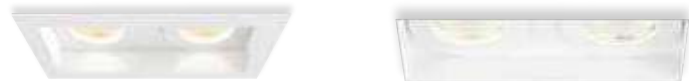
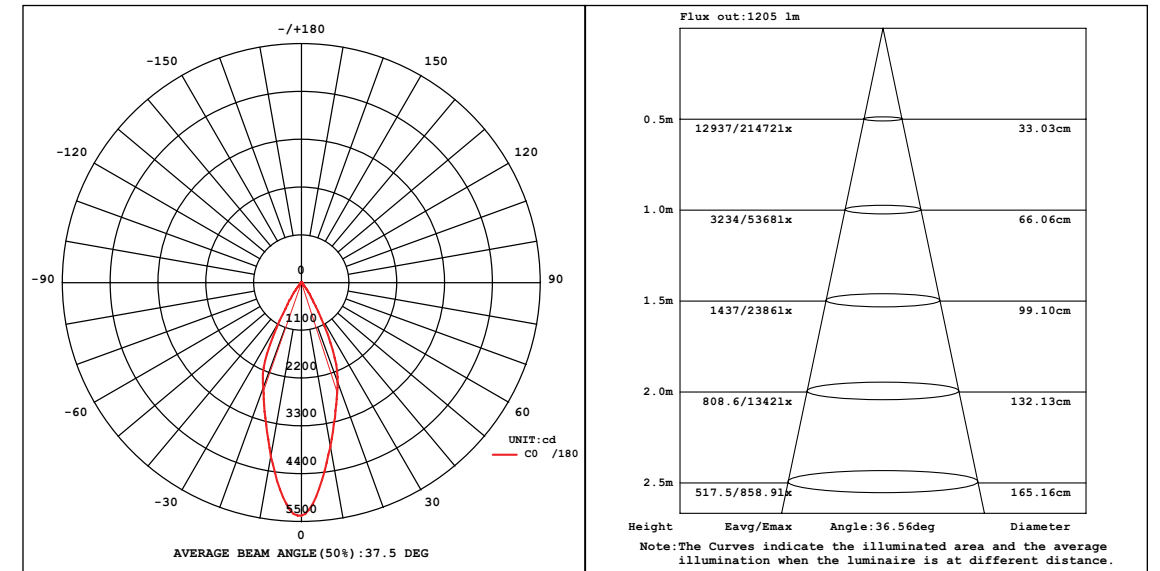
Cut Hole 10"L x 3"W
Dimension 25"L x 12"W x 11 1/2"H



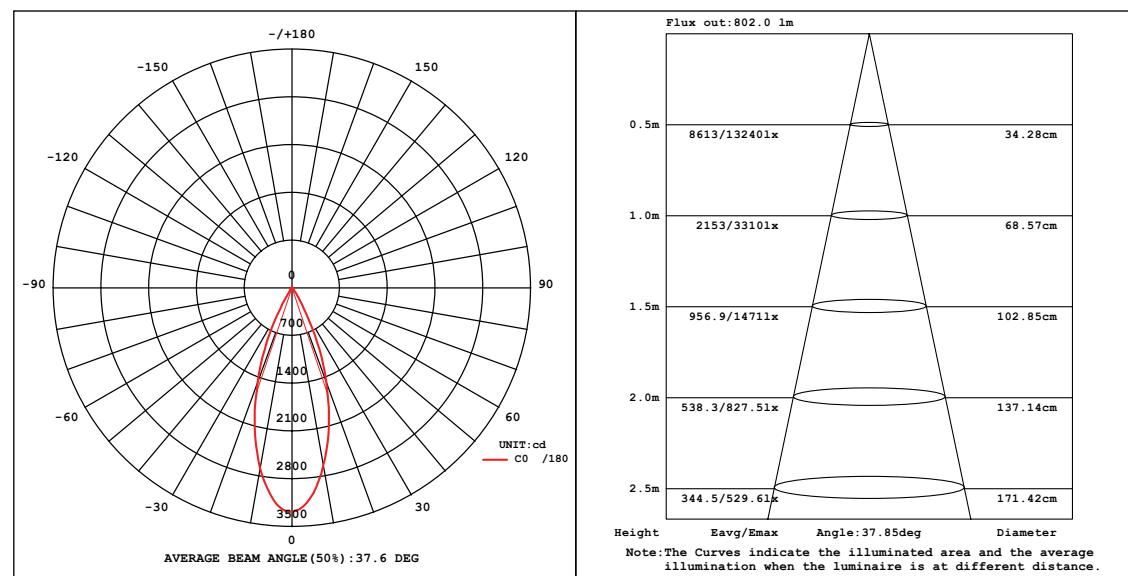
28721 | 28722 | 28719 | 28720 | 28717 | 28718 | 28715 | 28716



















31766 | 31764 | 36026 | 36027



31765 | 31763 | 36024 | 36025





TRIM	
DOWNLIGHT	GIMBAL
35137  PG 36	35138  PG 37
35141  PG 38	35142  PG 39
35145  PG 40	35146  PG 41
35147  PG 42	35148  PG 43
TRIMLESS	
DOWNLIGHT	GIMBAL
35139  PG 44	35140  PG 45
35143  PG 46	35144  PG 47
35355  PG 48	35356  PG 49
35357  PG 50	35358  PG 51



DOWNLIGHT

35137

HOUSING

- 18 gauge powder coated steel housing
- Remodel housing complete with adjustable mounting clips suitable for 1/2" and 5/8" drywall
- New construction plate, insulated ceiling box and airtight IC box sold separately (refer to housing options)*

LAMPING

- 1 x 26W Integrated LED TRIAC Dimming. For 0-10V and alternate dimming options consult Eurofase.
- **Beam angle:** 40°
- **Kelvin:** 3000K/3500K
- **Lumen per head:** 2560lm
- **CRI:** 90+

ELECTRICAL

- Class 2 dimmable constant current driver (included)
- Driver box mates to fixture by 12" flexible BX cable
- Thermally protected
- **Input voltage:** 120V. For 277V and 347V input options consult Eurofase.

DIMENSIONS

- **Cut hole:** 6 1/4"L x 6 1/4"W
- **Fixture:** 6 3/4"L x 6 3/4"W x 5 1/4"H

PHOTOMETRICS

- See pg 52

CUSTOMIZATION

- For customization, please consult Eurofase



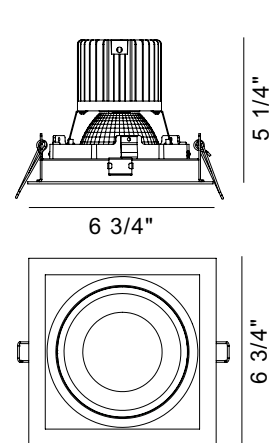
Driver box included

SPECIFICATION:



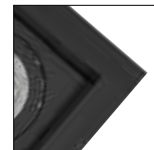
WATTS	LUMENS	KELVIN	DIMMABLE	CRI	BEAM ANGLE
26W	2560lm	3000K / 3500K	TRIAC	90+	40°

PRODUCT DIMENSION:



6 1/4"L x 6 1/4"W

FINISHES:



-01 Black



-02 White

ORDERING GUIDE:

MODEL	KELVIN	FINISH
35137	-30 3000K	-01 Black
	-35 3500K	-02 White

EXAMPLE: 35137-30-02

***HOUSING OPTIONS (SOLD SEPARATELY):**

Refer to page 175 for housing specification

36255-016 NEW CONSTRUCTION PLATE

36203-017 AIRTIGHT IC BOX



Cut Hole 6 1/4"L x 6 1/4"W
Dimension 12 3/4"L x 12 3/4"W x 1 3/8"H



Cut Hole 6 1/4"L x 6 1/4"W
Dimension 12 3/4"L x 12 3/4"W x 11 1/2"H



GIMBAL

35138

HOUSING

- 18 gauge powder coated steel housing
- Remodel housing complete with adjustable mounting clips suitable for 1/2" and 5/8" drywall
- New construction plate, insulated ceiling box and airtight IC box sold separately (refer to housing options) *

GIMBAL

- Adjustable direction suit different application requirement
- **Tilt:** 30°

LAMPING

- 1 x 26W Integrated LED TRIAC Dimming. For 0-10V and alternate dimming options consult Eurofase.
- **Beam angle:** 40°
- **Kelvin:** 3000K/3500K
- **Lumen per head:** 2560lm
- **CRI:** 90+

ELECTRICAL

- Class 2 dimmable constant current driver (included)
- Driver box mates to fixture by 12" flexible BX cable
- Thermally protected
- **Input voltage:** 120V. For 277V and 347V input options consult Eurofase.

DIMENSIONS

- **Cut hole:** 6 1/4"L x 6 1/4"W
- **Fixture:** 6 3/4"L x 6 3/4"W x 5 1/4"H

PHOTOMETRICS

- See pg 52

CUSTOMIZATION

- For customization, please consult Eurofase



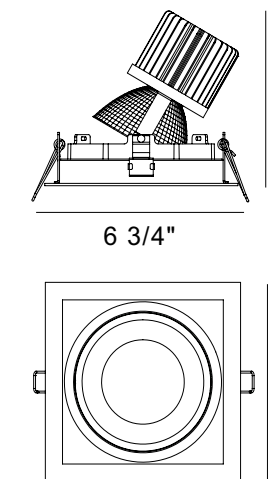
Driver box included

SPECIFICATION:



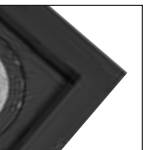
WATTS	LUMENS	KELVIN	DIMMABLE	CRI	BEAM ANGLE	TILT
26W	2560lm	3000K / 3500K	TRIAC	90+	40°	30°

PRODUCT DIMENSION:

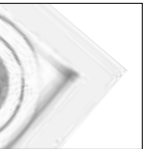


6 1/4"L x 6 1/4"W

FINISHES:



-01 Black



-02 White

ORDERING GUIDE:

MODEL	KELVIN	FINISH
35138	-30 3000K	-01 Black
	-35 3500K	-02 White

EXAMPLE: 35138-30-02

***HOUSING OPTIONS (SOLD SEPARATELY):**

Refer to page 175 for housing specification

36255-016 NEW CONSTRUCTION PLATE

36203-017 AIRTIGHT IC BOX



Cut Hole 6 1/4"L x 6 1/4"W
Dimension 12 3/4"L x 12 3/4"W x 1 3/8"H



Cut Hole 6 1/4"L x 6 1/4"W
Dimension 12 3/4"L x 12 3/4"W x 11 1/2"H



DOWNLIGHT

35141

HOUSING

- 18 gauge powder coated steel housing
- Remodel housing complete with adjustable mounting clips suitable for 1/2" and 5/8" drywall
- New construction plate, insulated ceiling box and airtight IC box sold separately (refer to housing options)*

LAMPING

- 1 x 26W Integrated LED TRIAC Dimming. For 0-10V and alternate dimming options consult Eurofase.
- **Beam angle:** 40°
- **Kelvin:** 3000K / 3500K
- **Lumen per head:** 2560lm
- **CRI:** 90+

ELECTRICAL

- Class 2 dimmable constant current driver (included)
- Driver box mates to fixture by 12" flexible BX cable
- Thermally protected
- **Input voltage:** 120V. For 277V and 347V input options consult Eurofase.

DIMENSIONS

- **Cut hole:** $\phi 6 \frac{1}{4}$ "
- **Fixture:** $\phi 6 \frac{3}{4}$ " x 5 1/4"H

PHOTOMETRICS

- See pg 52

CUSTOMIZATION

- For customization, please consult Eurofase

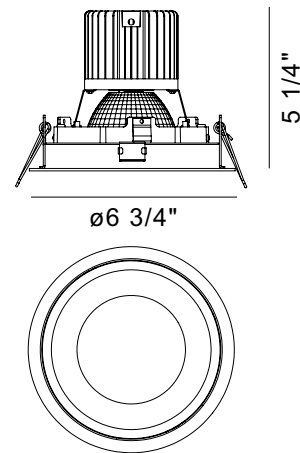


SPECIFICATION:

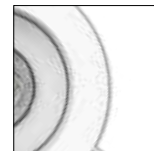
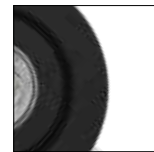


WATTS	LUMENS	KELVIN	DIMMABLE	CRI	BEAM ANGLE
26W	2560lm	3000K / 3500K	TRIAC	90+	40°

PRODUCT DIMENSION:



FINISHES:



ORDERING GUIDE:

MODEL	KELVIN	FINISH
35141	-30 3000K	-01 Black
	-35 3500K	-02 White

EXAMPLE: 35141-30-01

***HOUSING OPTIONS (SOLD SEPARATELY):**

Refer to page 175 for housing specification

36205-011 NEW CONSTRUCTION PLATE

36206-018 AIRTIGHT IC BOX



Cut Hole $\phi 6 \frac{1}{4}$ "
Dimension 12 3/4"L x 12 3/4"W x 1 3/8"H



Cut Hole $\phi 6 \frac{1}{4}$ "
Dimension 12 3/4"L x 12 3/4"W x 11 1/2"H



GIMBAL

35142

HOUSING

- 18 gauge powder coated steel housing
- Remodel housing complete with adjustable mounting clips suitable for 1/2" and 5/8" drywall
- New construction plate, insulated ceiling box and airtight IC box sold separately (refer to housing options)*

GIMBAL

- Adjustable direction suit different application requirement
- **Tilt:** 30°

LAMPING

- 1 x 26W Integrated LED TRIAC Dimming. For 0-10V and alternate dimming options consult Eurofase.
- **Beam angle:** 40°
- **Kelvin:** 3000K / 3500K
- **Lumen per head:** 2560lm
- **CRI:** 90+

ELECTRICAL

- Class 2 dimmable constant current driver (included)
- Driver box mates to fixture by 12" flexible BX cable
- Thermally protected
- **Input voltage:** 120V. For 277V and 347V input options consult Eurofase.

DIMENSIONS

- **Cut hole:** $\phi 6 \frac{1}{4}$ "
- **Fixture:** $\phi 6 \frac{3}{4}$ " x 6"H

PHOTOMETRICS

- See pg 52

CUSTOMIZATION

- For customization, please consult Eurofase

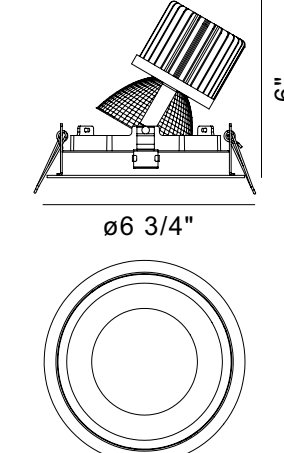


SPECIFICATION:

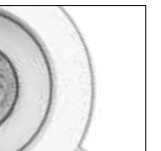
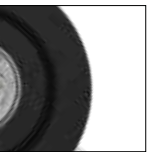


WATTS	LUMENS	KELVIN	DIMMABLE	CRI	BEAM ANGLE	TILT
26W	2560lm	3000K / 3500K	TRIAC	90+	40°	30°

PRODUCT DIMENSION:



FINISHES:



ORDERING GUIDE:

MODEL	KELVIN	FINISH
35142	-30 3000K	-01 Black
	-35 3500K	-02 White

EXAMPLE: 35142-30-01

***HOUSING OPTIONS (SOLD SEPARATELY):**

Refer to page 175 for housing specification

36205-011 NEW CONSTRUCTION PLATE

36206-018 AIRTIGHT IC BOX



Cut Hole $\phi 6 \frac{1}{4}$ "
Dimension 12 3/4"L x 12 3/4"W x 1 3/8"H



Cut Hole $\phi 6 \frac{1}{4}$ "
Dimension 12 3/4"L x 12 3/4"W x 11 1/2"H



DOWNLIGHT

35145

HOUSING

- 18 gauge powder coated steel housing
- Remodel housing complete with adjustable mounting clips suitable for 1/2" and 5/8" drywall
- New construction plate, insulated ceiling box and airtight IC box sold separately (refer to housing options)*

LAMPING

- 2 x 26W Integrated LED TRIAC Dimming. For 0-10V and alternate dimming options consult Eurofase.
- **Beam angle:** 40°
- **Kelvin:** 3000K/3500K
- **Lumen per head:** 2560lm
- **Total Lumen:** 5120lm
- **CRI:** 90+

ELECTRICAL

- Class 2 dimmable constant current driver (included)
- Driver box mates to fixture by 12" flexible BX cable
- Thermally protected
- **Input voltage:** 120V. For 277V and 347V input options consult Eurofase.

DIMENSIONS

- **Cut hole:** 12 1/4"L x 6"W
- **Fixture:** 13"L x 6 3/4"W x 5 1/4"H

PHOTOMETRICS

- See pg 52

CUSTOMIZATION

- For customization, please consult Eurofase



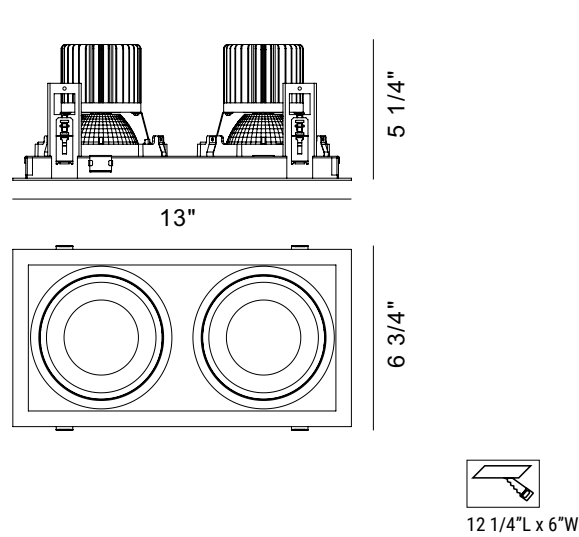
Driver box included

SPECIFICATION:

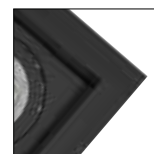


WATTS PER HEAD	LUMENS	KELVIN	DIMMABLE	CRI	BEAM ANGLE
26W	5120lm	3000K / 3500K	TRIAC	90+	40°

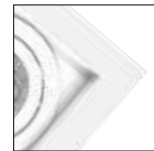
PRODUCT DIMENSION:



FINISHES:



-01 Black



-02 White

ORDERING GUIDE:

MODEL	KELVIN	FINISH
35145	-30 3000K	-01 Black
	-35 3500K	-02 White

EXAMPLE: 35145-30-01

***HOUSING OPTIONS (SOLD SEPARATELY):**

Refer to page 175 for housing specification

36208-012 NEW CONSTRUCTION PLATE

36209-019 AIRTIGHT IC BOX



Cut Hole 12 1/4"L x 6"W
Dimension 18 1/4"L x 12 3/4"W x 1 3/8"H



Cut Hole 12 1/4"L x 6"W
Dimension 18 1/4"L x 12 3/4"W x 11 1/2"H



GIMBAL

35146

HOUSING

- 18 gauge powder coated steel housing
- Remodel housing complete with adjustable mounting clips suitable for 1/2" and 5/8" drywall
- New construction plate, insulated ceiling box and airtight IC box sold separately (refer to housing options)*

GIMBAL

- Adjustable direction suit different application requirement
- **Tilt:** 30°

LAMPING

- 2 x 26W Integrated LED TRIAC Dimming. For 0-10V and alternate dimming options consult Eurofase.
- **Beam angle:** 40°
- **Kelvin:** 3000K/3500K
- **Lumen per head:** 2560lm
- **Total Lumen:** 5120lm
- **CRI:** 90+

ELECTRICAL

- Class 2 dimmable constant current driver (included)
- Driver box mates to fixture by 12" flexible BX cable
- Thermally protected
- **Input voltage:** 120V. For 277V and 347V input options consult Eurofase.

DIMENSIONS

- **Cut hole:** 12 1/4"L x 6"W
- **Fixture:** 13"L x 6 3/4"W x 6"H

PHOTOMETRICS

- See pg 52

CUSTOMIZATION

- For customization, please consult Eurofase



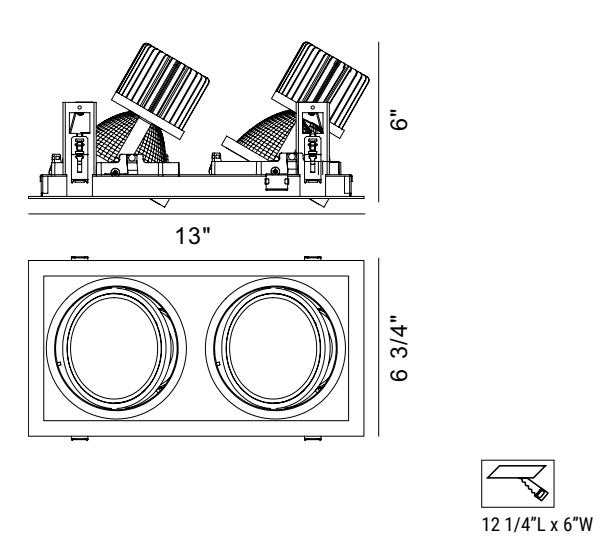
Driver box included

SPECIFICATION:

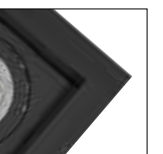


WATTS PER HEAD	LUMENS	KELVIN	DIMMABLE	CRI	BEAM ANGLE	TILT
26W	5120lm	3000K / 3500K	TRIAC	90+	40°	30°

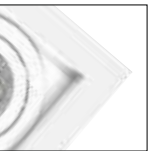
PRODUCT DIMENSION:



FINISHES:



-01 Black



-02 White

ORDERING GUIDE:

MODEL	KELVIN	FINISH
35146	-30 3000K	-01 Black
	-35 3500K	-02 White

EXAMPLE: 35146-30-02

***HOUSING OPTIONS (SOLD SEPARATELY):**

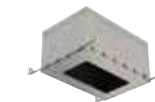
Refer to page 175 for housing specification

36208-012 NEW CONSTRUCTION PLATE

36209-019 AIRTIGHT IC BOX



Cut Hole 12 1/4"L x 6"W
Dimension 18 1/4"L x 12 3/4"W x 1 3/8"H



Cut Hole 12 1/4"L x 6"W
Dimension 18 1/4"L x 12 3/4"W x 11 1/2"H



DOWNLIGHT

35147

HOUSING

- 18 gauge powder coated steel housing
- Remodel housing complete with adjustable mounting clips suitable for 1/2" and 5/8" drywall
- New construction plate, insulated ceiling box and airtight IC box sold separately (refer to housing options)*

LAMPING

- 3 x 26W Integrated LED TRIAC Dimming. For 0-10V and alternate dimming options consult Eurofase.
- **Beam angle:** 40°
- **Kelvin:** 3000K/3500K
- **Lumen per head:** 2560lm
- **Total Lumen:** 7680lm
- **CRI:** 90+

ELECTRICAL

- Class 2 dimmable constant current driver (included)
- Driver box mates to fixture by 12" flexible BX cable
- Thermally protected
- **Input voltage:** 120V. For 277V and 347V input options consult Eurofase.

DIMENSIONS

- **Cut hole:** 18 1/2"L x 6"W
- **Fixture:** 19 1/8"L x 6 3/4"W x 5 1/4"H

PHOTOMETRICS

- See pg 53

CUSTOMIZATION

- For customization, please consult Eurofase



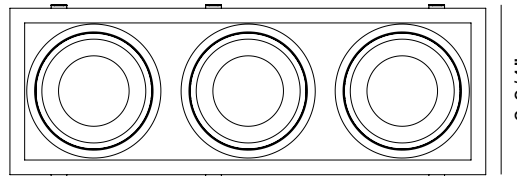
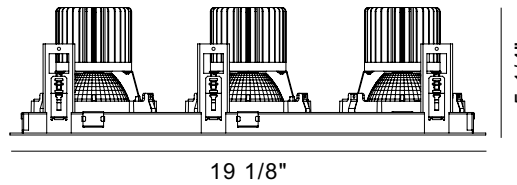
Driver box included

SPECIFICATION:



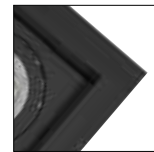
WATTS PER HEAD	LUMENS	KELVIN	DIMMABLE	CRI	BEAM ANGLE
26W	7680lm	3000K / 3500K	TRIAC	90+	40°

PRODUCT DIMENSION:



18 1/2"L x 6"W

FINISHES:



-01 Black



-02 White

ORDERING GUIDE:

MODEL	KELVIN	FINISH
35147	-30 3000K	-01 Black
	-35 3500K	-02 White

EXAMPLE: 35147-30-01

***HOUSING OPTIONS (SOLD SEPARATELY):**

Refer to page 175 for housing specification

36211-012 NEW CONSTRUCTION PLATE

36212-019 AIRTIGHT IC BOX



Cut Hole 18 1/2"L x 6"W
Dimension 24"L x 12 3/4"W x 1 3/8"H



Cut Hole 18 1/2"L x 6"W
Dimension 24"L x 12 3/4"W x 11 1/2"H



GIMBAL

35148

HOUSING

- 18 gauge powder coated steel housing
- Remodel housing complete with adjustable mounting clips suitable for 1/2" and 5/8" drywall
- New construction plate, insulated ceiling box and airtight IC box sold separately (refer to housing options)*

GIMBAL

- Adjustable direction suit different application requirement
- **Tilt:** 30°

LAMPING

- 3 x 26W Integrated LED TRIAC Dimming. For 0-10V and alternate dimming options consult Eurofase.
- **Beam angle:** 40°
- **Kelvin:** 3000K/3500K
- **Lumen per head:** 2560lm
- **Total Lumen:** 7680lm
- **CRI:** 90+

ELECTRICAL

- Class 2 dimmable constant current driver (included)
- Driver box mates to fixture by 12" flexible BX cable
- Thermally protected
- **Input voltage:** 120V. For 277V and 347V input options consult Eurofase.

DIMENSIONS

- **Cut hole:** 18 1/2"L x 6 1/4"W
- **Fixture:** 19 1/8"L x 6 3/4"W x 6"H

PHOTOMETRICS

- See pg 53

CUSTOMIZATION

- For customization, please consult Eurofase



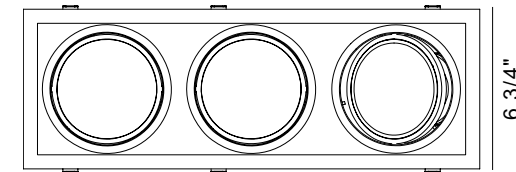
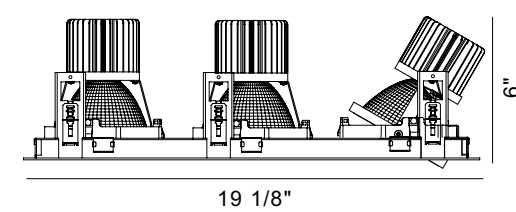
Driver box included

SPECIFICATION:



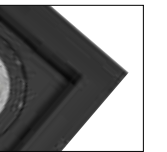
WATTS PER HEAD	LUMENS	KELVIN	DIMMABLE	CRI	BEAM ANGLE	TILT
26W	7680lm	3000K / 3500K	TRIAC	90+	40°	30°

PRODUCT DIMENSION:

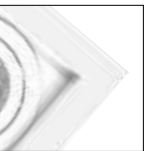


18 1/2"L x 6"W

FINISHES:



-01 Black



-02 White

ORDERING GUIDE:

MODEL	KELVIN	FINISH
35148	-30 3000K	-01 Black
	-35 3500K	-02 White

EXAMPLE: 35148-30-01

***HOUSING OPTIONS (SOLD SEPARATELY):**

Refer to page 175 for housing specification

36211-012 NEW CONSTRUCTION PLATE

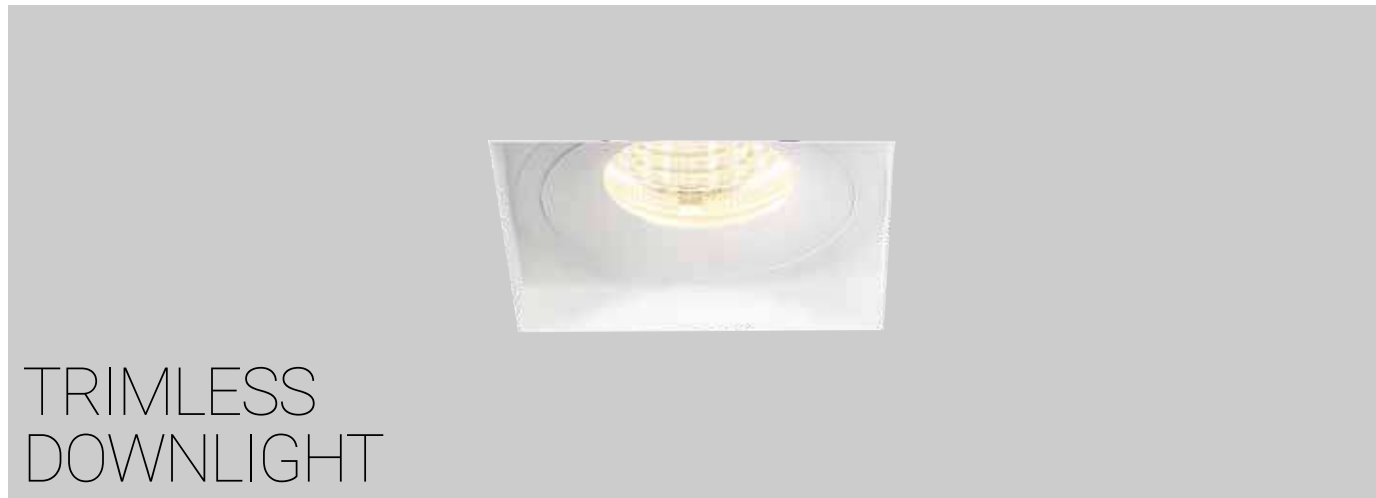
36212-019 AIRTIGHT IC BOX



Cut Hole 18 1/2"L x 6"W
Dimension 24"L x 12 3/4"W x 1 3/8"H



Cut Hole 18 1/2"L x 6"W
Dimension 24"L x 12 3/4"W x 11 1/2"H



TRIMLESS
DOWNLIGHT

35139

HOUSING

- 18 gauge powder coated steel housing
- New construction plate, insulated ceiling box and airtight IC box sold separately (refer to housing options)*

MESH PLATE

- Steel mesh plate (included)
- Perforated perimeter allows mud to bond to mounting surface leaving a seamless finish in the ceiling

LAMPING

- 1 x 26W Integrated LED TRIAC Dimming. For 0-10V and alternate dimming options consult Eurofase.
- **Beam angle:** 40°
- **Kelvin:** 3000K/3500K
- **Lumen per head:** 2560lm
- **CRI:** 90+

ELECTRICAL

- Class 2 dimmable constant current driver (included)
- Driver box mates to fixture by 12" flexible BX cable
- Thermally protected
- **Input voltage:** 120V. For 277V and 347V input options consult Eurofase.

DIMENSIONS

- **Cut hole:** 6 1/8"L x 6 1/8"W
- **Fixture:** 5 3/4"L x 5 3/4"W x 5 1/4"H

PHOTOMETRICS

- See pg 52

CUSTOMIZATION

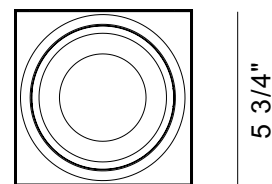
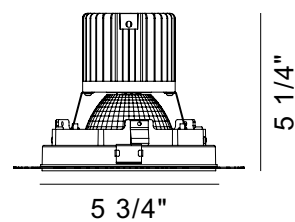
- For customization, please consult Eurofase

SPECIFICATION:



WATTS	LUMENS	KELVIN	DIMMABLE	CRI	BEAM ANGLE
26W	2560lm	3000K / 3500K	TRIAC	90+	40°

PRODUCT DIMENSION:



6"L x 6"W

ORDERING GUIDE:

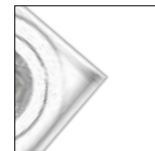
MODEL	KELVIN	FINISH
35139	-30 3000K	-01 Black
	-35 3500K	-02 White

EXAMPLE: 35139-30-01

FINISHES:



-01 Black



-02 White



Mesh plate included



Driver box included

***HOUSING OPTIONS (SOLD SEPARATELY):**

Refer to page 175 for housing specification

36214-013 NEW CONSTRUCTION PLATE

36215-010 AIRTIGHT IC BOX



Cut Hole 6"L x 6"W
Dimension 12 3/4"L x 12 3/4"W x 1 3/8"H



Cut Hole 6"L x 6"W
Dimension 12 3/4"L x 12 3/4"W x 11 1/2"H



TRIMLESS
GIMBAL

35140

HOUSING

- 18 gauge powder coated steel housing
- New construction plate, insulated ceiling box and airtight IC box sold separately (refer to housing options)*

GIMBAL

- Adjustable direction suit different application requirement
- **Tilt:** 30°

MESH PLATE

- Steel mesh plate (included)
- Perforated perimeter allows mud to bond to mounting surface leaving a seamless finish in the ceiling

LAMPING

- 1 x 26W Integrated LED TRIAC Dimming. For 0-10V and alternate dimming options consult Eurofase.
- **Beam angle:** 40°
- **Kelvin:** 3000K/3500K
- **Lumen per head:** 2560lm
- **CRI:** 90+

ELECTRICAL

- Class 2 dimmable constant current driver (included)
- Driver box mates to fixture by 12" flexible BX cable
- Thermally protected
- **Input voltage:** 120V. For 277V and 347V input options consult Eurofase.

DIMENSIONS

- **Cut hole:** 6 1/8"L x 6 1/8"W
- **Fixture:** 5 3/4"L x 5 3/4"W x 6"H

PHOTOMETRICS

- See pg 52

CUSTOMIZATION

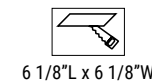
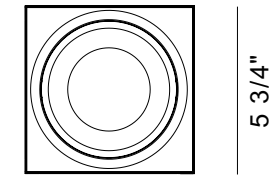
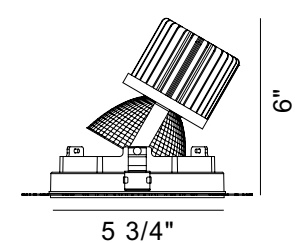
- For customization, please consult Eurofase

SPECIFICATION:



WATTS PER HEAD	LUMENS	KELVIN	DIMMABLE	CRI	BEAM ANGLE	TILT
26W	2560lm	3000K / 3500K	TRIAC	90+	40°	30°

PRODUCT DIMENSION:



6 1/8"L x 6 1/8"W

ORDERING GUIDE:

MODEL	KELVIN	FINISH
35140	-30 3000K	-01 Black
	-35 3500K	-02 White

EXAMPLE: 35140-30-01

FINISHES:



-01 Black



-02 White



Mesh plate included



Driver box included

***HOUSING OPTIONS (SOLD SEPARATELY):**

Refer to page 175 for housing specification

36214-013 NEW CONSTRUCTION PLATE

36215-010 AIRTIGHT IC BOX



Cut Hole 6"L x 6"W
Dimension 12 3/4"L x 12 3/4"W x 1 3/8"H



Cut Hole 6"L x 6"W
Dimension 12 3/4"L x 12 3/4"W x 11 1/2"H



TRIMLESS
DOWNLIGHT

35143

HOUSING

- 18 gauge powder coated steel housing
- New construction plate, insulated ceiling box and airtight IC box sold separately (refer to housing options)*

MESH PLATE

- Steel mesh plate (included)
- Perforated perimeter allows mud to bond to mounting surface leaving a seamless finish in the ceiling

LAMPING

- 1 x 26W Integrated LED TRIAC Dimming. For 0-10V and alternate dimming options consult Eurofase.
- **Beam angle:** 40°
- **Kelvin:** 3000K / 3500K
- **Lumen per head:** 2560lm
- **CRI:** 90+

ELECTRICAL

- Class 2 dimmable constant current driver (included)
- Driver box mates to fixture by 12" flexible BX cable
- Thermally protected
- **Input voltage:** 120V. For 277V and 347V input options consult Eurofase.

DIMENSIONS

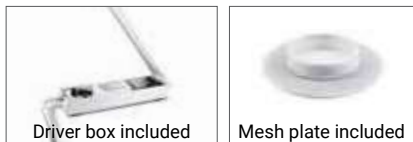
- **Cut hole:** $\phi 6 \frac{1}{8}$ "
- **Fixture:** $\phi 5 \frac{3}{4}$ " x $5 \frac{1}{4}$ "H

PHOTOMETRICS

- See pg 52

CUSTOMIZATION

- For customization, please consult Eurofase

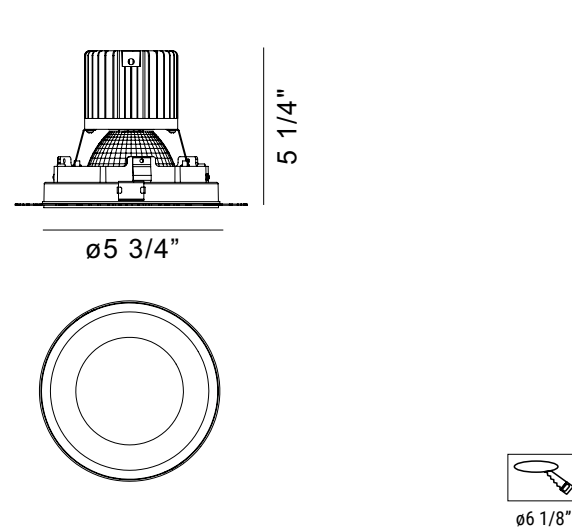


SPECIFICATION:



WATTS	LUMENS	KELVIN	DIMMABLE	CRI	BEAM ANGLE
26W	2560lm	3000K / 3500K	TRIAC	90+	40°

PRODUCT DIMENSION:



FINISHES:



ORDERING GUIDE:

MODEL	KELVIN	FINISH
35143	-30 3000K	-01 Black
	-35 3500K	-02 White

EXAMPLE: 35143-30-01

*HOUSING OPTIONS (SOLD SEPARATELY):

Refer to page 175 for housing specification

36217-014 NEW CONSTRUCTION PLATE

36218-011 AIRTIGHT IC BOX



Cut Hole $\phi 6 \frac{1}{8}$ "
Dimension 12 3/4"L x 12 3/4"W x 1 3/8"H



Cut Hole $\phi 6 \frac{1}{8}$ "
Dimension 12 3/4"L x 12 3/4"W x 11 1/2"H



TRIMLESS
GIMBAL

35144

HOUSING

- 18 gauge powder coated steel housing
- New construction plate, insulated ceiling box and airtight IC box sold separately (refer to housing options)*

GIMBAL

- Adjustable direction suit different application requirement
- **Tilt:** 30°

MESH PLATE

- Steel mesh plate (included)
- Perforated perimeter allows mud to bond to mounting surface leaving a seamless finish in the ceiling

LAMPING

- 1 x 26W Integrated LED TRIAC Dimming. For 0-10V and alternate dimming options consult Eurofase.
- **Beam angle:** 40°
- **Kelvin:** 3000K / 3500K
- **Lumen per head:** 2560lm
- **CRI:** 90+

ELECTRICAL

- Class 2 dimmable constant current driver (included)
- Driver box mates to fixture by 12" flexible BX cable
- Thermally protected
- **Input voltage:** 120V. For 277V and 347V input options consult Eurofase.

DIMENSIONS

- **Cut hole:** $\phi 6 \frac{1}{8}$ "
- **Fixture:** $\phi 5 \frac{3}{4}$ " x 6"H

PHOTOMETRICS

- See pg 52

CUSTOMIZATION

- For customization, please consult Eurofase

*HOUSING OPTIONS (SOLD SEPARATELY):

Refer to page 175 for housing specification

36217-014 NEW CONSTRUCTION PLATE

36218-011 AIRTIGHT IC BOX



Cut Hole $\phi 6 \frac{1}{8}$ "
Dimension 12 3/4"L x 12 3/4"W x 1 3/8"H



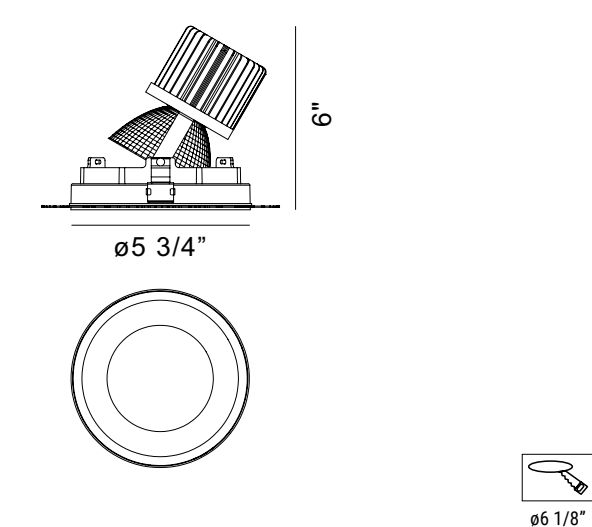
Cut Hole $\phi 6 \frac{1}{8}$ "
Dimension 12 3/4"L x 12 3/4"W x 11 1/2"H

SPECIFICATION:



WATTS PER HEAD	LUMENS	KELVIN	DIMMABLE	CRI	BEAM ANGLE	TILT
26W	2560lm	3000K / 3500K	TRIAC	90+	40°	30°

PRODUCT DIMENSION:



FINISHES:



ORDERING GUIDE:

MODEL	KELVIN	FINISH
35144	-30 3000K	-01 Black
	-35 3500K	-02 White

EXAMPLE: 35144-30-01





TRIMLESS DOWNLIGHT

35355

HOUSING

- 18 gauge powder coated steel housing
- New construction plate, insulated ceiling box and airtight IC box sold separately (refer to housing options)*

MESH PLATE

- Steel mesh plate (included)
- Perforated perimeter allows mud to bond to mounting surface leaving a seamless finish in the ceiling

LAMPING

- 2 x 26W Integrated LED TRIAC Dimming. For 0-10V and alternate dimming options consult Eurofase.
- **Beam angle:** 40°
- **Kelvin:** 3000K/3500K
- **Lumen per head:** 2560lm
- **Total Lumen:** 5120lm
- **CRI:** 90+

ELECTRICAL

- Class 2 dimmable constant current driver (included)
- Driver box mates to fixture by 12" flexible BX cable
- Thermally protected
- **Input voltage:** 120V. For 277V and 347V input options consult Eurofase.

DIMENSIONS

- **Cut hole:** 12 3/8"L x 6 1/8"W
- **Fixture:** 12"L x 5 3/4"W x 5 1/4"H

PHOTOMETRICS

- See pg 52

CUSTOMIZATION

- For customization, please consult Eurofase

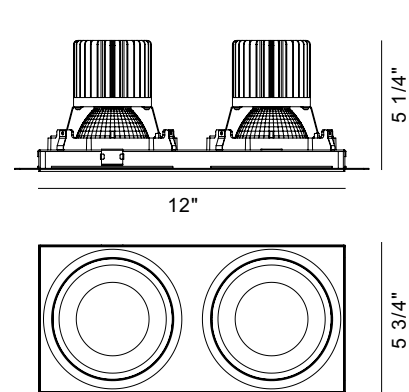


SPECIFICATION:

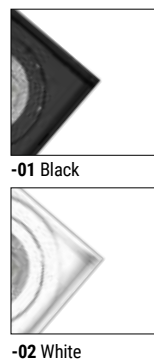


WATTS PER HEAD	LUMENS PER HEAD	KELVIN	DIMMABLE	CRI	BEAM ANGLE
26W	2560lm	3000K / 3500K	TRIAC	90+	40°

PRODUCT DIMENSION:



FINISHES:



ORDERING GUIDE:

MODEL	KELVIN	FINISH
35355	-30 3000K	-01 Black
	-35 3500K	-02 White

EXAMPLE: 35355-30-01

*HOUSING OPTIONS (SOLD SEPARATELY):

Refer to page 175 for housing specification

36220-014 NEW CONSTRUCTION PLATE

36221-011 AIRTIGHT IC BOX



Cut Hole 12 3/8"L x 6 1/8"W
Dimension 20 1/4"L x 12 3/4"W x 1 3/8"H



Cut Hole 12 3/8"L x 6 1/8"W
Dimension 20 1/4"L x 12 3/4"W x 11 1/2"H



TRIMLESS GIMBAL

35356

HOUSING

- 18 gauge powder coated steel housing
- New construction plate, insulated ceiling box and airtight IC box sold separately (refer to housing options)*

GIMBAL

- Adjustable direction suit different application requirement
- **Tilt:** 30°

MESH PLATE

- Steel mesh plate (included)
- Perforated perimeter allows mud to bond to mounting surface leaving a seamless finish in the ceiling

LAMPING

- 2 x 26W Integrated LED TRIAC Dimming. For 0-10V and alternate dimming options consult Eurofase.
- **Beam angle:** 40°
- **Kelvin:** 3000K/3500K
- **Lumen per head:** 2560lm
- **Total Lumen:** 5120lm
- **CRI:** 90+

ELECTRICAL

- Class 2 dimmable constant current driver (included)
- Driver box mates to fixture by 12" flexible BX cable
- Thermally protected
- **Input voltage:** 120V. For 277V and 347V input options consult Eurofase.

DIMENSIONS

- **Cut hole:** 12 3/8"L x 6 1/8"W
- **Fixture:** 12"L x 5 3/4"W x 6"H

PHOTOMETRICS

- See pg 52

CUSTOMIZATION

- For customization, please consult Eurofase

*HOUSING OPTIONS (SOLD SEPARATELY):

Refer to page 175 for housing specification

36220-014 NEW CONSTRUCTION PLATE

36221-011 AIRTIGHT IC BOX



Cut Hole 12 3/8"L x 6 1/8"W
Dimension 20 1/4"L x 12 3/4"W x 1 3/8"H



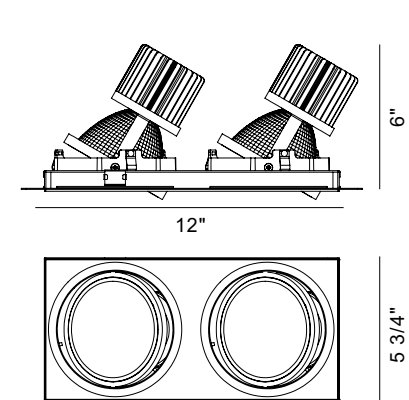
Cut Hole 12 3/8"L x 6 1/8"W
Dimension 20 1/4"L x 12 3/4"W x 11 1/2"H

SPECIFICATION:



WATTS PER HEAD	LUMENS PER HEAD	KELVIN	DIMMABLE	CRI	BEAM ANGLE	TILT
26W	5120lm	3000K / 3500K	TRIAC	90+	40°	30°

PRODUCT DIMENSION:



FINISHES:



ORDERING GUIDE:

MODEL	KELVIN	FINISH
35356	-30 3000K	-01 Black
	-35 3500K	-02 White

EXAMPLE: 35356-30-01





TRIMLESS DOWNLIGHT

35357

HOUSING

- 18 gauge powder coated steel housing
- New construction plate, insulated ceiling box and airtight IC box sold separately (refer to housing options)*

MESH PLATE

- Steel mesh plate (included)
- Perforated perimeter allows mud to bond to mounting surface leaving a seamless finish in the ceiling

LAMPING

- 3 x 26W Integrated LED TRIAC Dimming. For 0-10V and alternate dimming options consult Eurofase.
- **Beam angle:** 40°
- **Kelvin:** 3000K/3500K
- **Lumen per head:** 2560lm
- **Total Lumen:** 7680lm
- **CRI:** 90+

ELECTRICAL

- Class 2 dimmable constant current driver (included)
- Driver box mates to fixture by 12" flexible BX cable
- Thermally protected
- **Input voltage:** 120V. For 277V and 347V input options consult Eurofase.

DIMENSIONS

- **Cut hole:** 18 5/8"L x 6 1/8"W
- **Fixture:** 18 1/8"L x 5 3/4"W x 5 1/4"H

PHOTOMETRICS

- See pg 53

CUSTOMIZATION

- For customization, please consult Eurofase

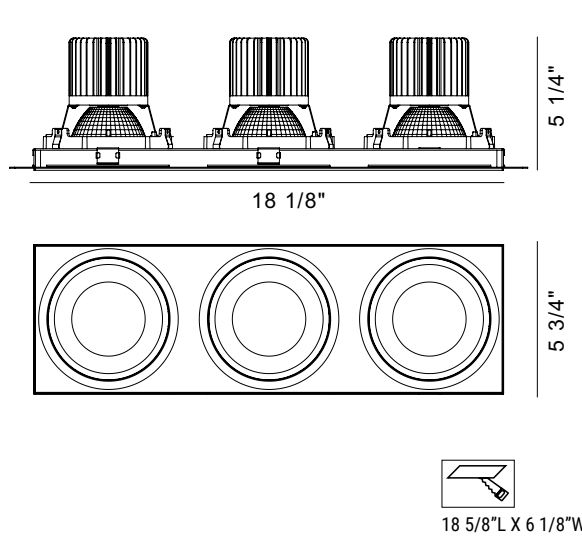


SPECIFICATION:

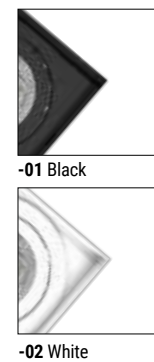


WATTS PER HEAD	LUMENS	KELVIN	DIMMABLE	CRI	BEAM ANGLE
26W	7680lm	3000K / 3500K	TRIAC	90+	40°

PRODUCT DIMENSION:



FINISHES:



ORDERING GUIDE:

MODEL	KELVIN	FINISH
35357	-30 3000K	-01 Black
	-35 3500K	-02 White

EXAMPLE: 35357-30-01

*HOUSING OPTIONS (SOLD SEPARATELY):

Refer to page 175 for housing specification

36223-015 NEW CONSTRUCTION PLATE

36224-012 AIRTIGHT IC BOX



Cut Hole 18 5/8"L x 6 1/8"W
Dimension 27 1/4"L x 12 3/4"W x 1 3/8"H



Cut Hole 18 5/8"L x 6 1/8"W
Dimension 27 1/4"L x 12 3/4"W x 11 1/2"H



TRIMLESS GIMBAL

35358

HOUSING

- 18 gauge powder coated steel housing
- New construction plate, insulated ceiling box and airtight IC box sold separately (refer to housing options)*

GIMBAL

- Adjustable direction suit different application requirement
- **Tilt:** 30°

MESH PLATE

- Steel mesh plate (included)
- Perforated perimeter allows mud to bond to mounting surface leaving a seamless finish in the ceiling

LAMPING

- 3 x 26W Integrated LED TRIAC Dimming. For 0-10V and alternate dimming options consult Eurofase.
- **Beam angle:** 40°
- **Kelvin:** 3000K/3500K
- **Lumen per head:** 2560lm
- **Total Lumen:** 7680lm
- **CRI:** 90+

ELECTRICAL

- Class 2 dimmable constant current driver (included)
- Driver box mates to fixture by 12" flexible BX cable
- Thermally protected
- **Input voltage:** 120V. For 277V and 347V input options consult Eurofase.

DIMENSIONS

- **Cut hole:** 18 5/8"L x 6 1/8"W
- **Fixture:** 18 1/8"L x 5 3/4"W x 6"H

PHOTOMETRICS

- See pg 53

CUSTOMIZATION

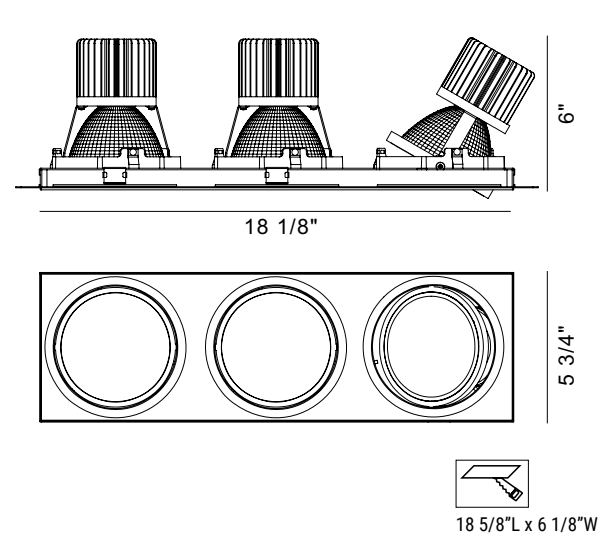
- For customization, please consult Eurofase

SPECIFICATION:

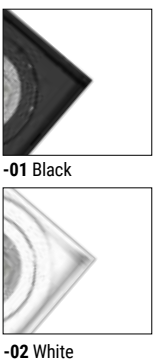


WATTS PER HEAD	LUMENS	KELVIN	DIMMABLE	CRI	BEAM ANGLE	TILT
26W	7680lm	3000K / 3500K	TRIAC	90+	40°	30°

PRODUCT DIMENSION:



FINISHES:



ORDERING GUIDE:

MODEL	KELVIN	FINISH
35358	-30 3000K	-01 Black
	-35 3500K	-02 White

EXAMPLE: 35358-30-01

*HOUSING OPTIONS (SOLD SEPARATELY):

Refer to page 175 for housing specification

36223-015 NEW CONSTRUCTION PLATE

36224-012 AIRTIGHT IC BOX



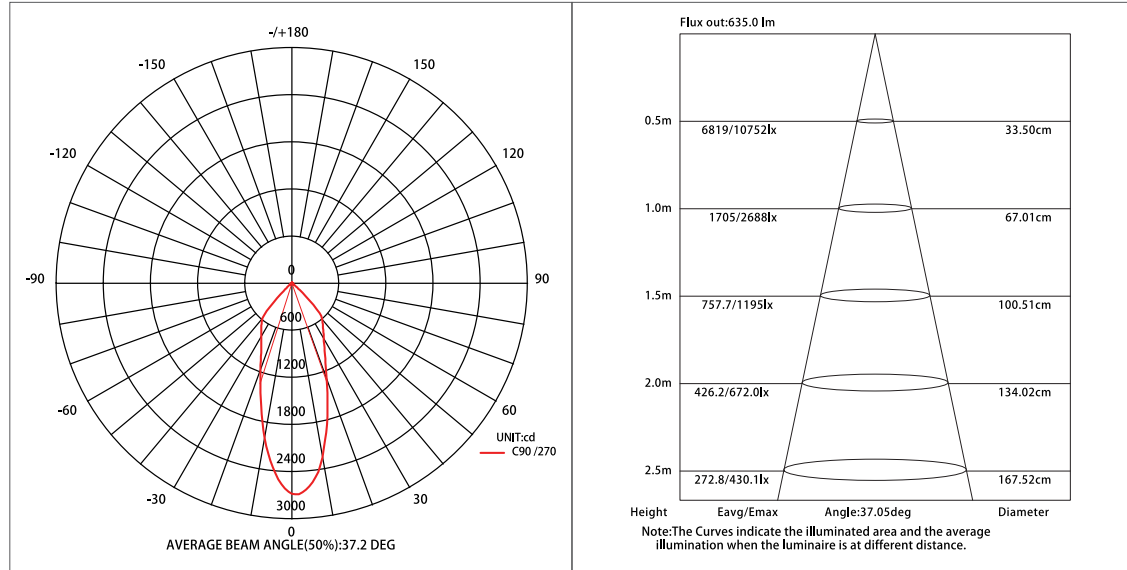
Cut Hole 18 5/8"L x 6 1/8"W
Dimension 27 1/4"L x 12 3/4"W x 1 3/8"H



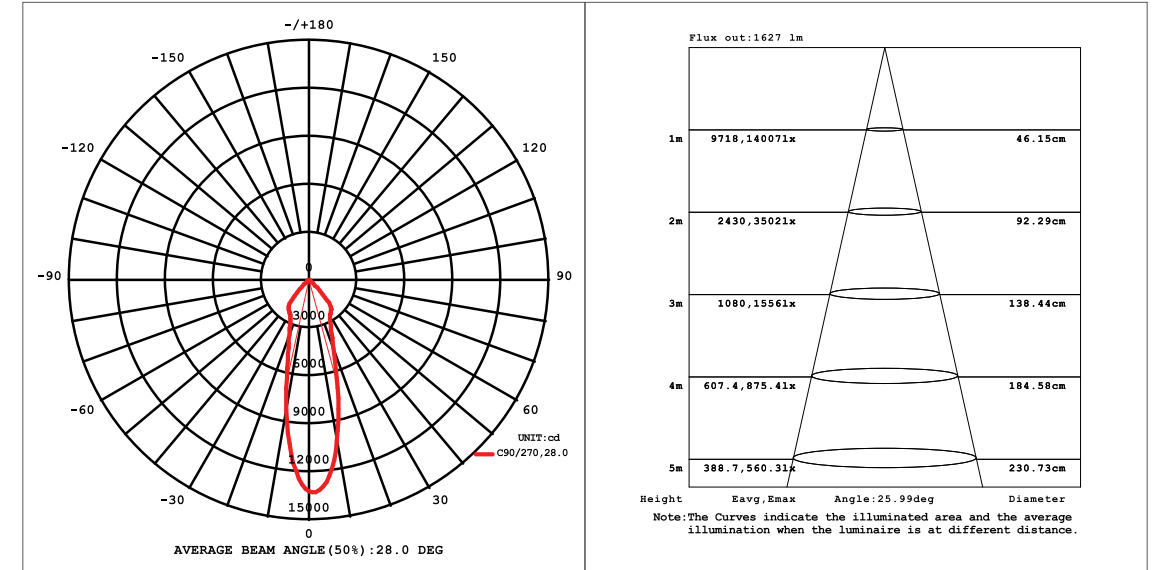
Cut Hole 18 5/8"L x 6 1/8"W
Dimension 27 1/4"L x 12 3/4"W x 11 1/2"H



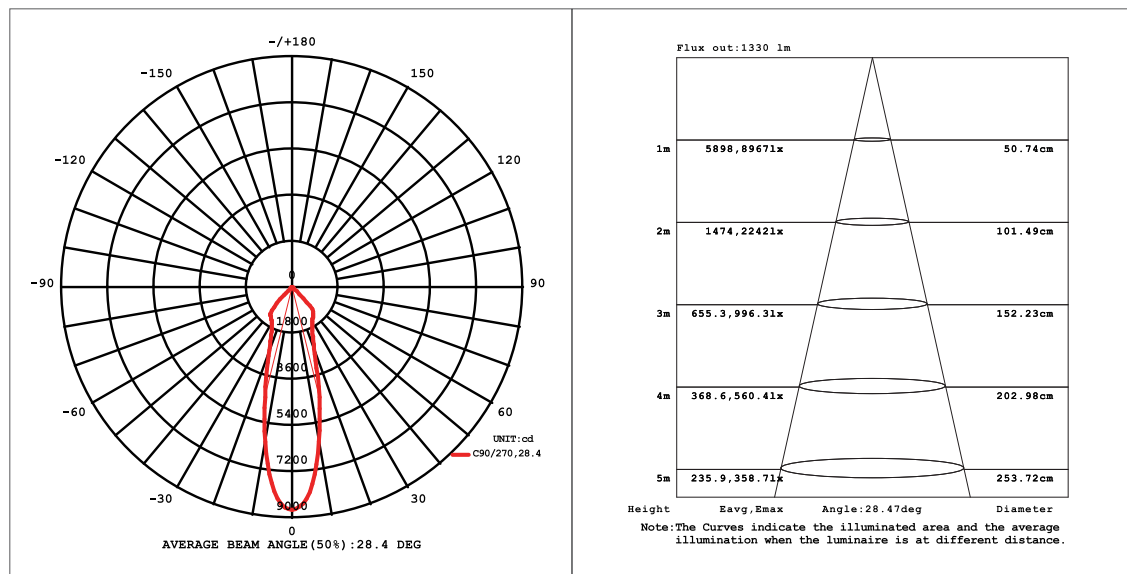
35137 | 35138 | 35141 | 35142 | 35139 | 35140 | 35143 | 35144



35147 | 35148 | 35357 | 35358



35145 | 35146 | 35355 | 35356



MULTIPLE RECESSED AMIGO LED 26W



Die cast aluminum heat sink allows fixture to run at optimal temperature to guarantee long product life



Fully removable gimbal for ease of maintenance



Quick connector for easy installation



TRIM	TRIMLESS
<p>TE161LED</p>  <p>PG 56</p>	<p>TE611LED</p>  <p>PG 57</p>
<p>TE162LED</p>  <p>PG 58</p>	<p>TE612LED</p>  <p>PG 59</p>
<p>TE163LED</p>  <p>PG 60</p>	<p>TE613LED</p>  <p>PG 61</p>
<p>TE164BLED</p>  <p>PG 62</p>	<p>TE614BLED</p>  <p>PG 63</p>
<p>TE164ALED</p>  <p>PG 64</p>	



TRIM

TE161LED

HOUSING

- 18 gauge powder coated steel housing
- Remodel housing complete with adjustable mounting clips suitable for 1/2" and 5/8" drywall
- New construction plate, insulated ceiling box and airtight IC box sold separately (refer to housing options)*

TRIM

- Extruded 6063 aluminum trim
- Powder coated finish
- Available in black, white and platinum

LAMPING

- 1 x 15W Integrated LED TRIAC Dimming. For 0-10V and alternate dimming options consult Eurofase
- **Beam angle:** 20°/40°
- **Horizontal adjustment:** 0° - 20°
- **Kelvin:** 3000K/3500K/4000K
- **Lumen per head:** 1290lm
- **CRI:** 90+

ELECTRICAL

- Class 2 dimmable constant current driver (included)
- Driver box mates to fixture by 24" flexible BX cable and has one 1/2" and two 3/4" knockouts for through branch circuit wiring
- Thermally protected
- **Input voltage:** 120V. For 277V and 347V input options consult Eurofase

DIMENSIONS

- **Cut hole:** 5 1/8"L x 5 1/8"W
- **Fixture:** 6 3/16"L x 6 3/16"W x 5 7/8"H

PHOTOMETRICS

- See pg 66

CUSTOMIZATION

- For customization, please consult Eurofase



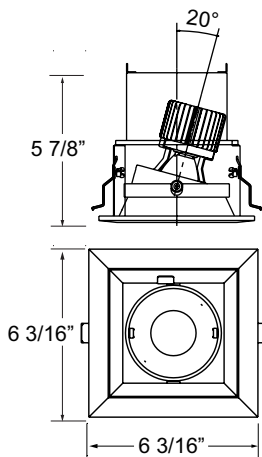
Driver box included

SPECIFICATION:



WATTS PER HEAD	LUMENS PER HEAD	KELVIN	DIMMABLE	CRI	BEAM ANGLE
15W	1290lm	3000K / 3500K / 4000K	TRIAC	90+	20° / 40°

PRODUCT DIMENSION:



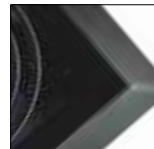
5 1/8"L x 5 1/8"W

ORDERING GUIDE:

MODEL	KELVIN	BEAM ANGLE	FINISH
TE161LED	-30 3000K	-2 20°	-01 Black/Black
	-35 3500K	-4 40°	-02 White/Black
	-40 4000K		-22 White/White
			-0N Platinum/Black

EXAMPLE: TE161LED-30-2-01

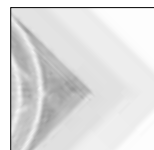
FINISHES:



-01 Black/Black



-02 White/Black



-22 White/White



-0N Platinum/Black

***HOUSING OPTIONS (SOLD SEPARATELY):**

Refer to page 176 for housing specification

24051-019 NEW CONSTRUCTION PLATE

30366-015 AIRTIGHT IC BOX

24071-017 INSULATED CEILING BOX



Cut Hole 5 1/8"L x 5 1/8"W
Dimension 12 3/4"L x 11 1/4"W x 1 3/8"H



Cut Hole 5 1/8"L x 5 1/8"W
Dimension 12 3/4"L x 11 1/4"W x 11 1/2"H



TRIMLESS

TE611LED

HOUSING

- 18 gauge powder coated steel housing
- Remodel housing complete with adjustable mounting clips suitable for 1/2" and 5/8" drywall
- New construction plate, insulated ceiling box and airtight IC box sold separately (refer to housing options)*

MESH PLATE

- Steel mesh plate (included)
- Perforated perimeter allows mud to bond to mounting surface leaving a seamless finish in the ceiling

LAMPING

- 1 x 15W Integrated LED TRIAC Dimming. For 0-10V and alternate dimming options consult Eurofase
- **Beam angle:** 20°/40°
- **Horizontal adjustment:** 0° - 20°
- **Kelvin:** 3000K/3500K/4000K
- **Lumen per head:** 1290lm
- **CRI:** 90+

ELECTRICAL

- Class 2 dimmable constant current driver (included)
- Driver box mates to fixture by 24" flexible BX cable and has one 1/2" and two 3/4" knockouts for through branch circuit wiring
- Thermally protected
- **Input voltage:** 120V. For 277V and 347V input options consult Eurofase

DIMENSIONS

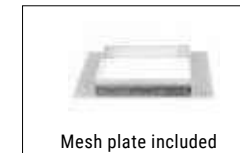
- **Cut hole:** 4 3/16"L x 4 3/16"W
- **Fixture:** 4"L x 4"W x 4 3/4"H

PHOTOMETRICS

- See pg 66

CUSTOMIZATION

- For customization, please consult Eurofase



Mesh plate included



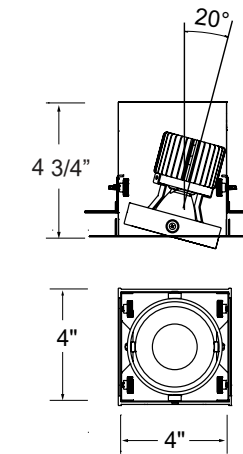
Driver box included

SPECIFICATION:



WATTS PER HEAD	LUMENS PER HEAD	KELVIN	DIMMABLE	CRI	BEAM ANGLE
15W	1290lm	3000K / 3500K / 4000K	TRIAC	90+	20° / 40°

PRODUCT DIMENSION:



4 3/16"L x 4 3/16"W

ORDERING GUIDE:

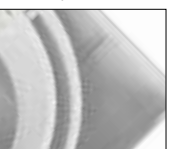
MODEL	KELVIN	BEAM ANGLE	FINISH
TE611LED	-30 3000K	-2 20°	-01 Black/Black
	-35 3500K	-4 40°	-02 White/White
	-40 4000K		

EXAMPLE: TE611LED-30-2-01

FINISHES:



-01 Black/Black



-02 White/White

***HOUSING OPTIONS (SOLD SEPARATELY):**

Refer to page 176 for housing specification

24063-012 NEW CONSTRUCTION PLATE

30378-018 AIRTIGHT IC BOX

24083-010 INSULATED CEILING BOX



Cut Hole 4 3/16"L x 4 3/16"W
Dimension 11"L x 8 7/8"W x 1 3/8"H



Cut Hole 4 3/16"L x 4 3/16"W
Dimension 11"L x 8 7/8"W x 9 1/2"H



TRIM

TE162LED

HOUSING

- 18 gauge powder coated steel housing
- Remodel housing complete with adjustable mounting clips suitable for 1/2" and 5/8" drywall
- New construction plate, insulated ceiling box and airtight IC box sold separately (refer to housing options)*

TRIM

- Extruded 6063 aluminum trim
- Powder coated finish
- Available in black, white and platinum

LAMPING

- 2 x 15W Integrated LED TRIAC Dimming.
- For 0-10V and alternate dimming options consult Eurofase
- **Beam angle:** 20°/40°
- **Horizontal adjustment:** 0° - 20°
- **Kelvin:** 3000K/3500K/4000K
- **Lumen per head:** 1290lm
- **Total Lumens:** 2580lm
- **CRI:** 90+

ELECTRICAL

- Class 2 dimmable constant current driver (included)
- Driver box mates to fixture by 24" flexible BX cable and has one 1/2" and two 3/4" knockouts for through branch circuit wiring
- Thermally protected
- Input voltage: 120V.
- For 277V and 347V input options consult Eurofase

DIMENSIONS

- **Cut hole:** 9 1/2"L x 5 1/8"W
- **Fixture:** 10 7/16"L x 6 1/8"W x 6 5/16"H

PHOTOMETRICS

- See pg 66

CUSTOMIZATION

- For customization, please consult Eurofase



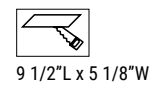
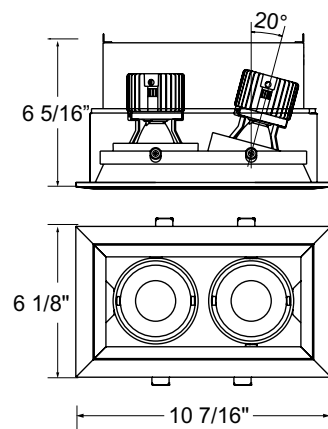
Driver box included

SPECIFICATION:

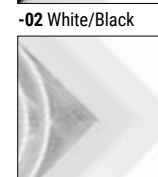
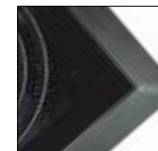


WATTS PER HEAD	LUMENS PER HEAD	KELVIN	DIMMABLE	CRI	BEAM ANGLE
15W	1290lm	3000K / 3500K / 4000K	TRIAC	90+	20° / 40°

PRODUCT DIMENSION:



FINISHES:



ORDERING GUIDE:

MODEL	KELVIN	BEAM ANGLE	FINISH
TE162LED	-30	3000K	-2 20°
	-35	3500K	-4 40°
	-40	4000K	-22 White/White
			-0N Platinum/Black

EXAMPLE: TE162LED-30-2-01

***HOUSING OPTIONS (SOLD SEPARATELY):**

Refer to page 176 for housing specification

24052-016 NEW CONSTRUCTION PLATE

30367-012 AIRTIGHT IC BOX

24072-014 INSULATED CEILING BOX



Cut Hole 9 1/2"L x 5 1/8"W
Dimension 17"L x 12 3/4"W x 1 3/8"H



Cut Hole 9 1/2"L x 5 1/8"W
Dimension 17"L x 12 3/4"W x 11 1/2"H



TRIMLESS

TE612LED

HOUSING

- 18 gauge powder coated steel housing
- Remodel housing complete with adjustable mounting clips suitable for 1/2" and 5/8" drywall
- New construction plate, insulated ceiling box and airtight IC box sold separately (refer to housing options)*

MESH PLATE

- Steel mesh plate (included)
- Perforated perimeter allows mud to bond to mounting surface leaving a seamless finish in the ceiling

LAMPING

- 2 x 15W Integrated LED TRIAC Dimming.
- For 0-10V and alternate dimming options consult Eurofase
- **Beam angle:** 20°/40°
- **Horizontal adjustment:** 0° - 20°
- **Kelvin:** 3000K/3500K/4000K
- **Lumen per head:** 1290lm
- **Total Lumens:** 2580lm
- **CRI:** 90+

ELECTRICAL

- Class 2 dimmable constant current driver (included)
- Driver box mates to fixture by 24" flexible BX cable and has one 1/2" and two 3/4" knockouts for through branch circuit wiring
- Thermally protected
- Input voltage: 120V.
- For 277V and 347V input options consult Eurofase

DIMENSIONS

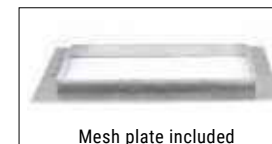
- **Cut hole:** 8 1/2"L x 4 3/16"W
- **Fixture:** 8 1/4"L x 4"W x 5"H

PHOTOMETRICS

- See pg 66

CUSTOMIZATION

- For customization, please consult Eurofase



Mesh plate included



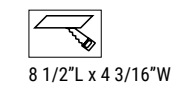
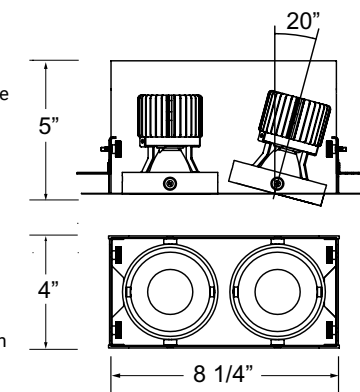
Driver box included

SPECIFICATION:

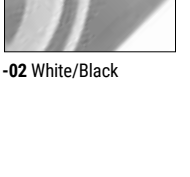


WATTS PER HEAD	LUMENS PER HEAD	KELVIN	DIMMABLE	CRI	BEAM ANGLE
15W	1290lm	3000K / 3500K / 4000K	TRIAC	90+	20° / 40°

PRODUCT DIMENSION:



FINISHES:



ORDERING GUIDE:

MODEL	KELVIN	BEAM ANGLE	FINISH
TE612LED	-30	3000K	-2 20°
	-35	3500K	-4 40°
	-40	4000K	-22 White/White
			-0N Platinum/Black

EXAMPLE: TE612LED-30-2-01

***HOUSING OPTIONS (SOLD SEPARATELY):**

Refer to page 176 for housing specification

24064-019 NEW CONSTRUCTION PLATE

30379-015 AIRTIGHT IC BOX

24084-017 INSULATED CEILING BOX



Cut Hole 8 9/16"L x 4 3/16"W
Dimension 17"L x 8 7/8"W x 1 3/8"H



Cut Hole 8 9/16"L x 4 3/16"W
Dimension 17"L x 8 7/8"W x 9 1/2"H



TE163LED

HOUSING

- 18 gauge powder coated steel housing
- Remodel housing complete with adjustable mounting clips suitable for 1/2" and 5/8" drywall
- New construction plate, insulated ceiling box and airtight IC box sold separately (refer to housing options)*

TRIM

- Extruded 6063 aluminum trim
- Powder coated finish
- Available in black, white and platinum

LAMPING

- 3 x 15W Integrated LED TRIAC Dimming.
- For 0-10V and alternate dimming options consult Eurofase
- **Beam angle:** 20°/40°
- **Horizontal adjustment:** 0° - 20°
- **Kelvin:** 3000K/3500K/4000K
- **Lumen per head:** 1290lm
- **Total Lumens:** 3870lm
- **CRI:** 90+

ELECTRICAL

- Class 2 dimmable constant current driver (included)
- Driver box mates to fixture by 24" flexible BX cable and has one 1/2" and two 3/4" knockouts for through branch circuit wiring
- Thermally protected
- **Input voltage:** 120V.
- For 277V and 347V input options consult Eurofase

DIMENSIONS

- **Cut hole:** 13 1/2"L x 5 3/16"W
- **Fixture:** 14 3/8"L x 6 3/16"W x 6 5/16"H

PHOTOMETRICS

- See pg 67

CUSTOMIZATION

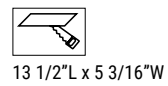
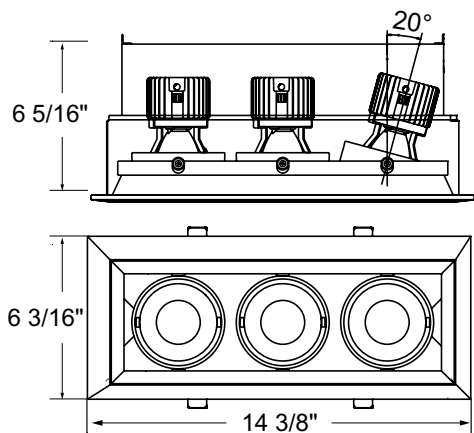
- For customization, please consult Eurofase



SPECIFICATION:

WATTS PER HEAD	LUMENS PER HEAD	KELVIN	DIMMABLE	CRI	BEAM ANGLE
15W	1290lm	3000K / 3500K / 4000K	TRIAC	90+	20° / 40°

PRODUCT DIMENSION:



ORDERING GUIDE:

MODEL	KELVIN	BEAM ANGLE	FINISH
TE163LED	-30 3000K	-2 20°	-01 Black/Black
	-35 3500K	-4 40°	-02 White/Black
	-40 4000K		-22 White/White
			-0N Platinum/Black

EXAMPLE: TE163LED-30-2-01

FINISHES:



TE613LED

HOUSING

- 18 gauge powder coated steel housing
- Remodel housing complete with adjustable mounting clips suitable for 1/2" and 5/8" drywall
- New construction plate, insulated ceiling box and airtight IC box sold separately (refer to housing options)*

MESH PLATE

- Steel mesh plate (included)
- Perforated perimeter allows mud to bond to mounting surface leaving a seamless finish in the ceiling

LAMPING

- 3 x 15W Integrated LED TRIAC Dimming.
- For 0-10V and alternate dimming options consult Eurofase
- **Beam angle:** 20°/40°
- **Horizontal adjustment:** 0° - 20°
- **Kelvin:** 3000K/3500K/4000K
- **Lumen per head:** 1290lm
- **Total Lumens:** 3870lm
- **CRI:** 90+

ELECTRICAL

- Class 2 dimmable constant current driver (included)
- Driver box mates to fixture by 24" flexible BX cable and has one 1/2" and two 3/4" knockouts for through branch circuit wiring
- Thermally protected
- **Input voltage:** 120V.
- For 277V and 347V input options consult Eurofase

DIMENSIONS

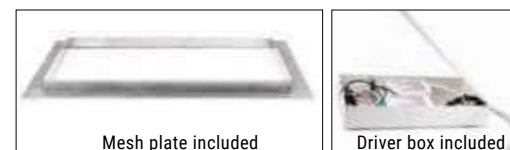
- **Cut hole:** 12 7/16"L x 4 3/16"W
- **Fixture:** 12 1/4"L x 4"W x 5"H

PHOTOMETRICS

- See pg 67

CUSTOMIZATION

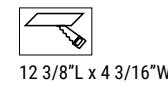
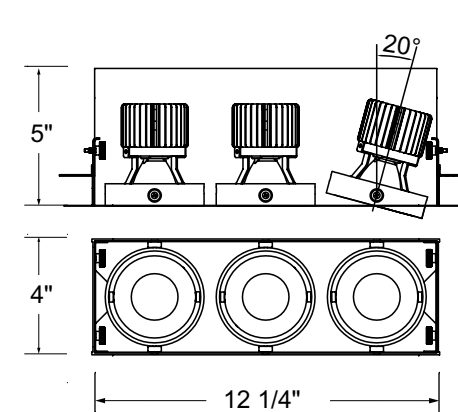
- For customization, please consult Eurofase



SPECIFICATION:

WATTS PER HEAD	LUMENS PER HEAD	KELVIN	DIMMABLE	CRI	BEAM ANGLE
15W	1290lm	3000K / 3500K / 4000K	TRIAC	90+	20° / 40°

PRODUCT DIMENSION:

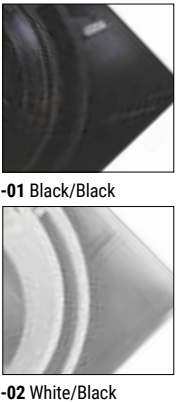


ORDERING GUIDE:

MODEL	KELVIN	BEAM ANGLE	FINISH
TE613LED	-30 3000K	-2 20°	-01 Black/Black
	-35 3500K	-4 40°	-02 White/White
	-40 4000K		

EXAMPLE: TE613LED-30-2-01

FINISHES:



***HOUSING OPTIONS (SOLD SEPARATELY):**

Refer to page 176 for housing specification

24053-013 NEW CONSTRUCTION PLATE

Cut Hole 13 3/8"L x 5 1/8"W
Dimension 22"L x 12 3/4"W x 1 3/8"H

30368-019 AIRTIGHT IC BOX
24073-011 INSULATED CEILING BOX

Cut Hole 13 3/8"L x 5 1/8"W
Dimension 22"L x 12 3/4"W x 11 1/2"H

***HOUSING OPTIONS (SOLD SEPARATELY):**

Refer to page 176 for housing specification

24065-016 NEW CONSTRUCTION PLATE

Cut Hole 12 7/16"L x 4 3/16"W
Dimension 19 3/4"L x 8 3/4"W x 1 3/8"H

30380-011 AIRTIGHT IC BOX
24085-014 INSULATED CEILING BOX

Cut Hole 12 7/16"L x 4 3/16"W
Dimension 19 3/4"L x 8 3/4"W x 9 1/2"H



TRIM

TE164LED

HOUSING

- 18 gauge powder coated steel housing
- Remodel housing complete with adjustable mounting clips suitable for 1/2" and 5/8" drywall
- New construction plate, insulated ceiling box and airtight IC box sold separately (refer to housing options)*

TRIM

- Extruded 6063 aluminum trim
- Powder coated finish
- Available in black, white and platinum

LAMPING

- 4 x 15W Integrated LED TRIAC Dimming.
- For 0-10V and alternate dimming options consult Eurofase
- **Beam angle:** 20°/40°
- **Horizontal adjustment:** 0° - 20°
- **Kelvin:** 3000K/3500K/4000K
- **Lumen per head:** 1290lm
- **Total Lumens:** 5160lm
- **CRI:** 90+

ELECTRICAL

- Class 2 dimmable constant current driver (included)
- Driver box mates to fixture by 24" flexible BX cable and has three 1/2" and two 3/4" knockouts for through branch circuit wiring
- Thermally protected
- **Input voltage:** 120V.
- For 277V and 347V input options consult Eurofase

DIMENSIONS

- **Cut hole:** 9 1/2"L x 9 1/2"W
- **Fixture:** 10 5/8"L x 10 5/8"W x 6"H

PHOTOMETRICS

- See pg 67

CUSTOMIZATION

- For customization, please consult Eurofase



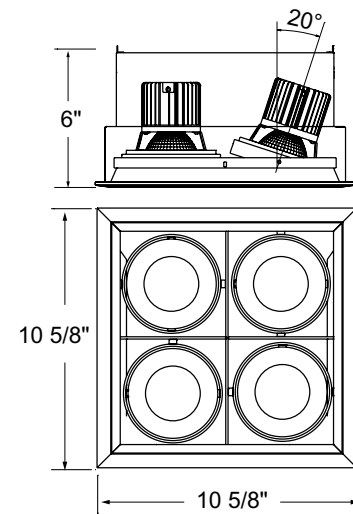
Driver box included

SPECIFICATION:



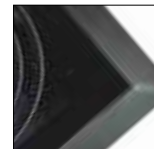
WATTS PER HEAD	LUMENS PER HEAD	KELVIN	DIMMABLE	CRI	BEAM ANGLE
15W	1290lm	3000K / 3500K / 4000K	TRIAC	90+	20° / 40°

PRODUCT DIMENSION:



9 1/2"L x 9 1/2"W

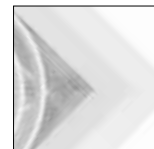
FINISHES:



-01 Black/Black



-02 White/Black



-22 White/White



-0N Platinum/Black

ORDERING GUIDE:

MODEL	KELVIN	BEAM ANGLE	FINISH
TE164LED	-30 3000K	-2 20°	-01 Black/Black
	-35 3500K	-4 40°	-02 White/Black
	-40 4000K		-22 White/White
			-0N Platinum/Black

EXAMPLE: TE164LED-30-2-01

***HOUSING OPTIONS (SOLD SEPARATELY):**

Refer to page 176 for housing specification

24055-017 NEW CONSTRUCTION PLATE

30370-012 AIRTIGHT IC BOX

24075-015 INSULATED CEILING BOX



Cut Hole 9 1/2"L x 9 1/2"W
Dimension 24"L x 18"W x 1 3/8"H



Cut Hole 9 1/2"L x 9 1/2"W
Dimension 24"L x 18"W x 11 1/2"H



TRIMLESS

TE614LED

HOUSING

- 18 gauge powder coated steel housing
- Remodel housing complete with adjustable mounting clips suitable for 1/2" and 5/8" drywall
- New construction plate, insulated ceiling box and airtight IC box sold separately (refer to housing options)*

MESH PLATE

- Steel mesh plate (included)
- Perforated perimeter allows mud to bond to mounting surface leaving a seamless finish in the ceiling

LAMPING

- 4 x 15W Integrated LED TRIAC Dimming.
- For 0-10V and alternate dimming options consult Eurofase
- **Beam angle:** 20°/40°
- **Horizontal adjustment:** 0° - 20°
- **Kelvin:** 3000K/3500K/4000K
- **Lumen per head:** 1290lm
- **Total Lumens:** 5160lm
- **CRI:** 90+

ELECTRICAL

- Class 2 dimmable constant current driver (included)
- Driver box mates to fixture by 24" flexible BX cable and has three 1/2" and two 3/4" knockouts for through branch circuit wiring
- Thermally protected
- **Input voltage:** 120V.
- For 277V and 347V input options consult Eurofase

DIMENSIONS

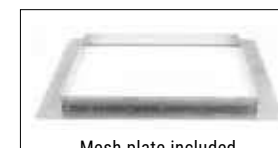
- **Cut hole:** 8 9/16"L x 8 9/16"W
- **Fixture:** 8 3/8"L x 8 3/8"W x 4 7/8"H

PHOTOMETRICS

- See pg 67

CUSTOMIZATION

- For customization, please consult Eurofase



Mesh plate included



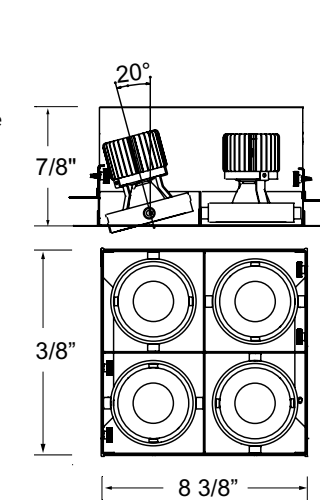
Driver box included

SPECIFICATION:



WATTS PER HEAD	LUMENS PER HEAD	KELVIN	DIMMABLE	CRI	BEAM ANGLE
15W	1290lm	3000K / 3500K / 4000K	TRIAC	90+	20° / 40°

PRODUCT DIMENSION:



8 1/2"L x 8 1/2"W

FINISHES:



-01 Black/Black



-02 White/White

ORDERING GUIDE:

MODEL	KELVIN	BEAM ANGLE	FINISH
TE614LED	-30 3000K	-2 20°	-01 Black/Black
	-35 3500K	-4 40°	-02 White/White
	-40 4000K		

EXAMPLE: TE614LED-30-2-01

***HOUSING OPTIONS (SOLD SEPARATELY):**

Refer to page 176 for housing specification

24066-020 NEW CONSTRUCTION PLATE

30382-015 AIRTIGHT IC BOX

24086-028 INSULATED CEILING BOX



Cut Hole 8 9/16"L x 8 9/16"W
Dimension 24"L x 18"W x 1 3/8"H



Cut Hole 8 9/16"L x 8 9/16"W
Dimension 24"L x 18"W x 11 1/2"H

MULTIPLE RECESSED LED 15W



TE164ALED

HOUSING

- 18 gauge powder coated steel housing
- Remodel housing complete with adjustable mounting clips suitable for 1/2" and 5/8" drywall
- New construction plate, insulated ceiling box and airtight IC box sold separately (refer to housing options)*

TRIM

- Extruded 6063 aluminum trim
- Powder coated finish
- Available in black, white and platinum

LAMPING

- 4 x 15W Integrated LED TRIAC Dimming. For 0-10V and alternate dimming options consult Eurofase
- **Beam angle:** 20°/40°
- **Horizontal adjustment:** 0° - 20°
- **Kelvin:** 3000K/3500K/4000K
- **Lumen per head:** 1290lm
- **Total Lumens:** 5160lm
- **CRI:** 90+

ELECTRICAL

- Class 2 dimmable constant current driver (included)
- Driver box mates to fixture by 24" flexible BX cable and has three 1/2" and two 3/4" knockouts for through branch circuit wiring
- Thermally protected
- **Input voltage:** 120V. For 277V and 347V input options consult Eurofase

DIMENSIONS

- **Cut hole:** 17 1/2"L x 5 1/4"W
- **Fixture:** 18 3/8"L x 6 1/8"W x 6 5/16"H

PHOTOMETRICS

- See pg 68

CUSTOMIZATION

- For customization, please consult Eurofase

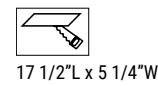
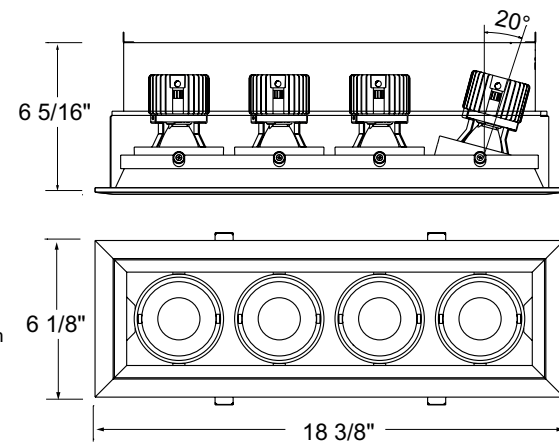


SPECIFICATION:

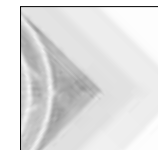


WATTS PER HEAD	LUMENS PER HEAD	KELVIN	DIMMABLE	CRI	BEAM ANGLE
15W	1290lm	3000K / 3500K / 4000K	TRIAC	90+	20° / 40°

PRODUCT DIMENSION:



FINISHES:



ORDERING GUIDE:

MODEL	KELVIN	BEAM ANGLE	FINISH
TE164ALED -30	3000K	-2 20°	-01 Black/Black
-35	3500K	-4 40°	-02 White/Black
-40	4000K		-22 White/White
			-0N Platinum/Black

EXAMPLE: TE164ALED-30-2-01

***HOUSING OPTIONS (SOLD SEPARATELY):**

Refer to page 176 for housing specification

24054-010 NEW CONSTRUCTION PLATE

30369-016 AIRTIGHT IC BOX

24074-018 INSULATED CEILING BOX



Cut Hole 17 1/2"L x 5 1/8"W
Dimension 26"L x 12 3/4"W x 1 3/8"H

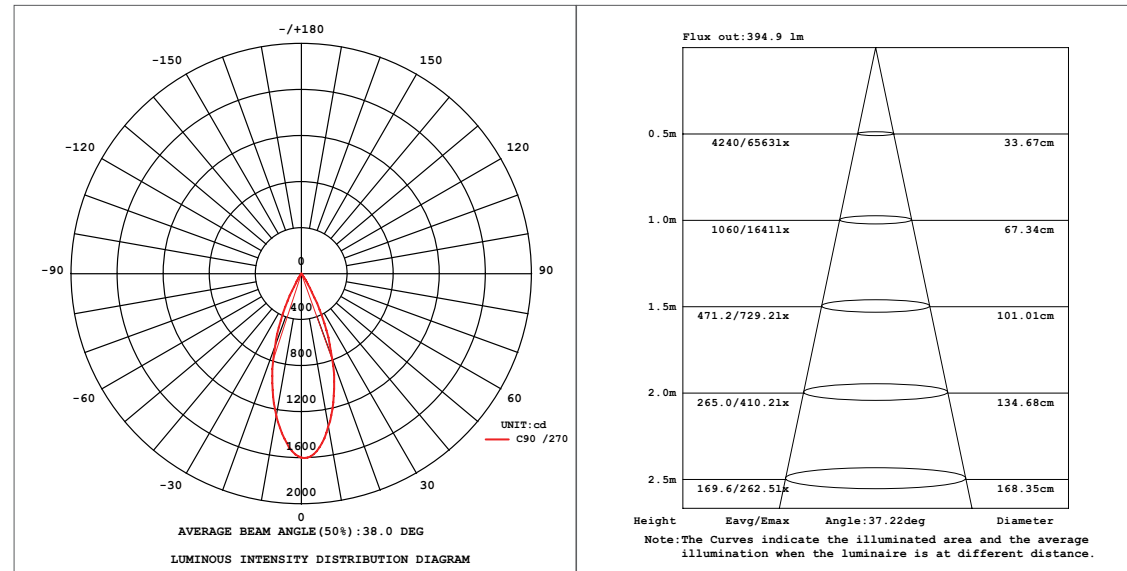


Cut Hole 17 1/2"L x 5 1/8"W
Dimension 26"L x 12 3/4"W x 11 1/2"H

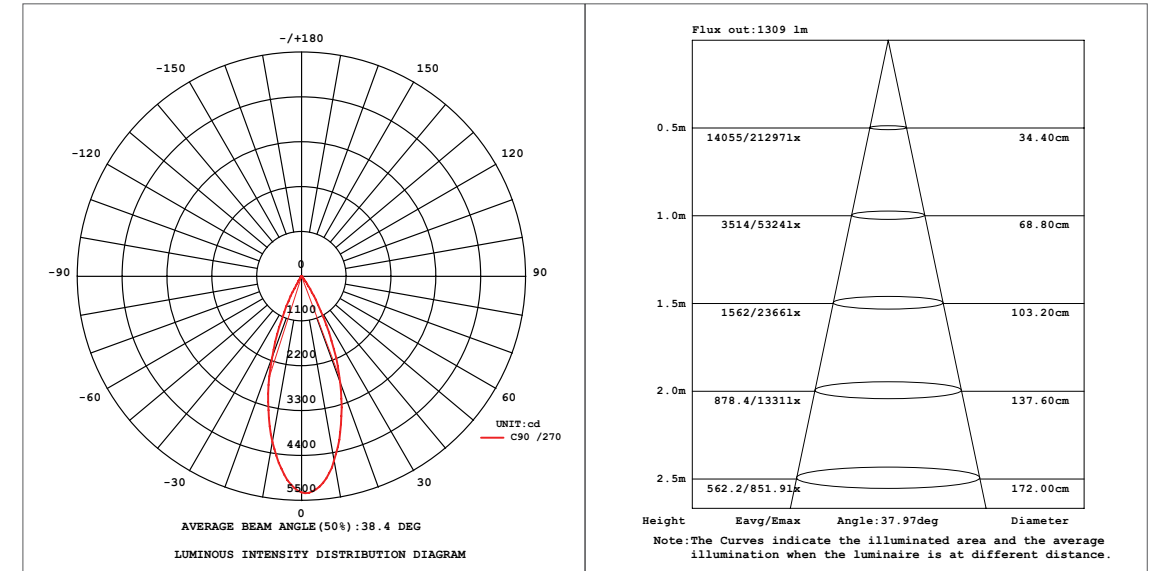




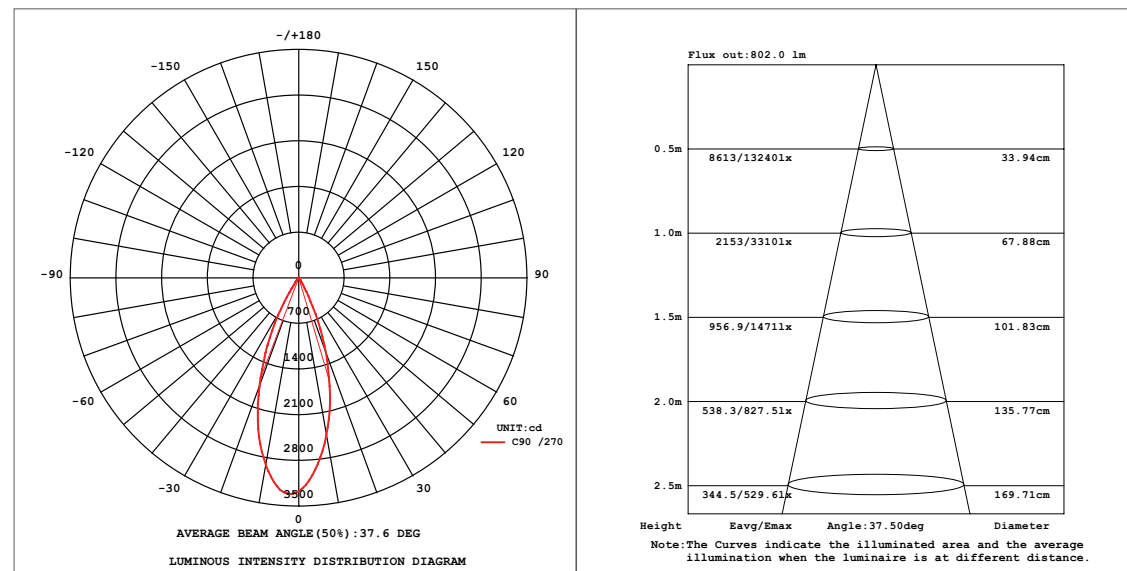
TE161LED | TE611LED



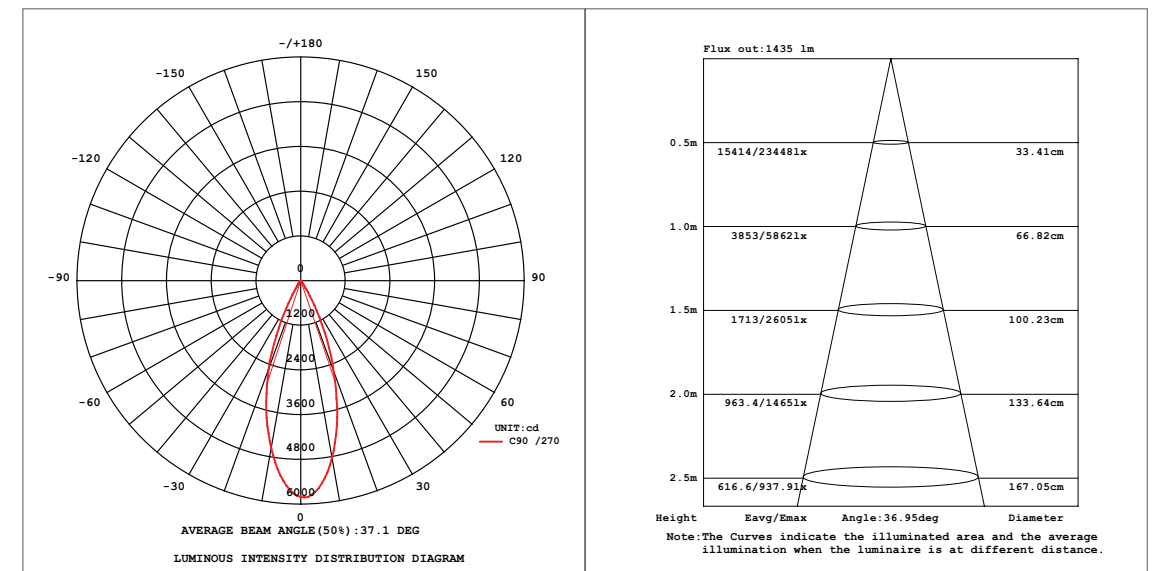
TE163LED | TE613LED



TE162LED | TE612LED

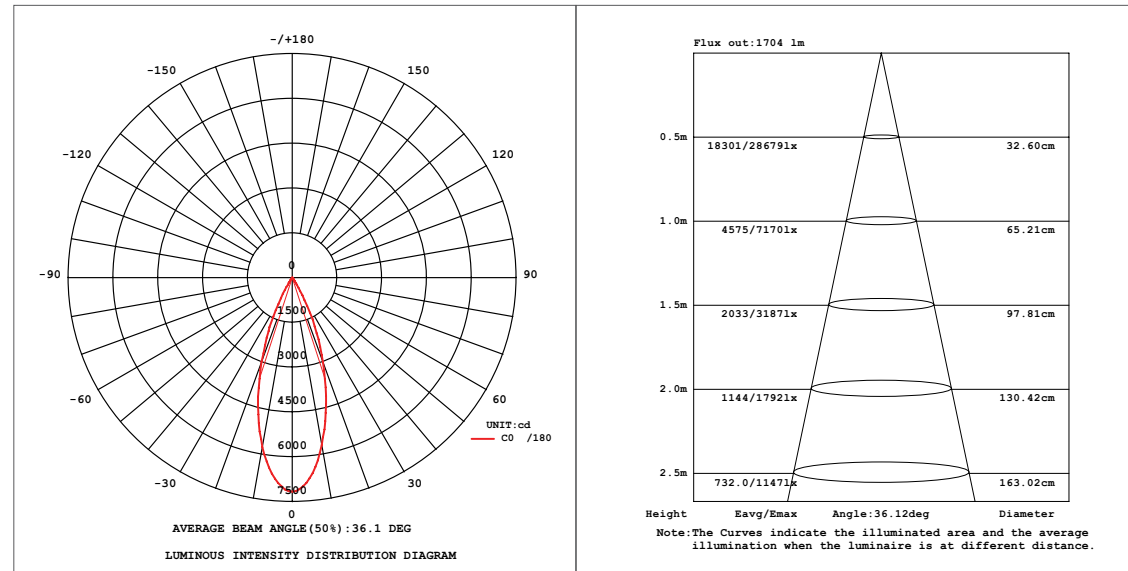


TE164LED | TE614LED





TE164ALED



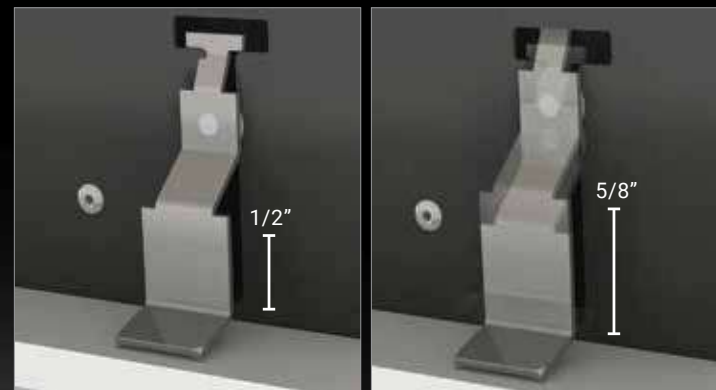
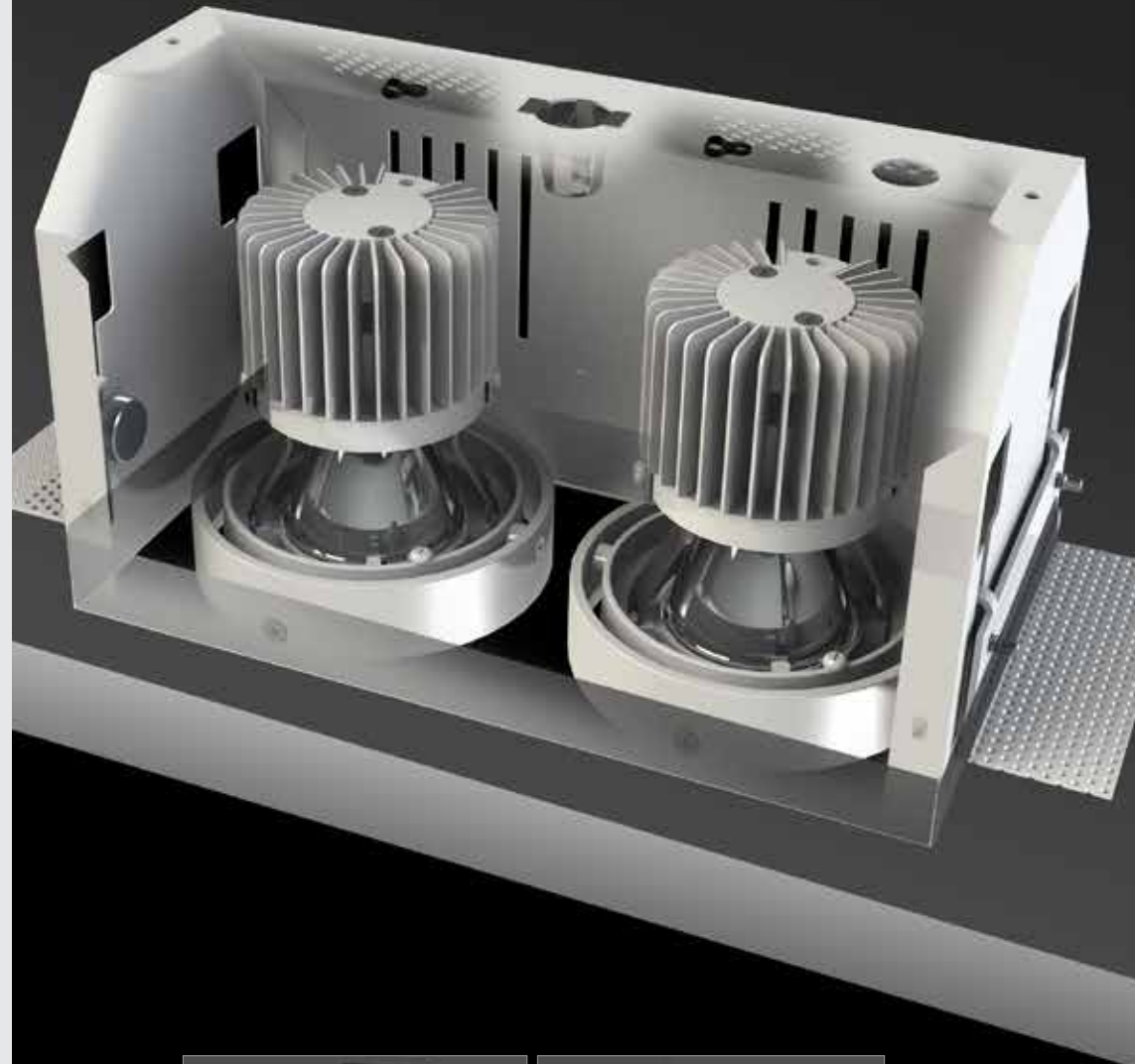
VERTICAL ADJUSTMENT

20 degrees of horizontal adjustment on both the X and Y axis, pin pointing light beams is quick, easy and accurate.



Quick Connector

MULTIPLE RECESSED LED 26W



Adjustable modifying clips for 1/2" and 5/8" drywall thickness



MULTIPLE RECESSED LED 26W

TRIM	TRIMLESS
<p>TE131LED</p>  <p>PG 72</p>	<p>TE221LED</p>  <p>PG 73</p>
<p>TE132LED</p>  <p>PG 74</p>	<p>TE222LED</p>  <p>PG 75</p>
<p>TE133LED</p>  <p>PG 76</p>	<p>TE223LED</p>  <p>PG 77</p>
<p>TE134BLED</p>  <p>PG 78</p>	<p>TE224BLED</p>  <p>PG 79</p>
<p>TE134ALED</p>  <p>PG 80</p>	

MULTIPLE RECESSED LED 26W



TRIM

TE131LED

HOUSING

- 18 gauge powder coated steel housing
- Remodel housing complete with adjustable mounting clips suitable for 1/2" and 5/8" drywall
- New construction plate, insulated ceiling box and airtight IC box sold separately (refer to housing options)*

TRIM

- Extruded 6063 aluminum trim
- Powder coated finish
- Available in black, white and platinum

LAMPING

- 1 x 26W Integrated LED TRIAC Dimming.
- For 0-10V and alternate dimming options consult Eurofase
- **Beam angle:** 20°/40°
- **Horizontal adjustment:** 0° - 20°
- **Kelvin:** 3000K/3500K/4000K
- **Lumen per head:** 2500lm
- **CRI:** 90+

ELECTRICAL

- Class 2 dimmable constant current driver (included)
- Driver box mates to fixture by 24" flexible BX cable and has one 1/2" and two 3/4" knockouts for through branch circuit wiring
- Thermally protected
- **Input voltage:** 120V.
- For 277V and 347V input options consult Eurofase

DIMENSIONS

- **Cut hole:** 6 3/4"L x 6 3/4"W
- **Fixture:** 7 3/4"L x 7 3/4"W x 7"H

PHOTOMETRICS

- See pg 82

CUSTOMIZATION

- For customization, please consult Eurofase



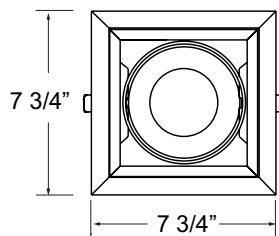
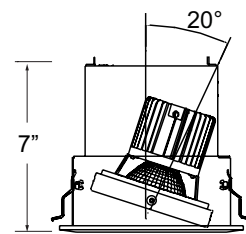
Driver box included

SPECIFICATION:



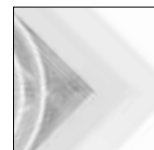
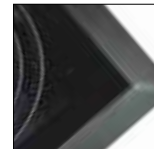
WATTS PER HEAD	LUMENS PER HEAD	KELVIN	DIMMABLE	CRI	BEAM ANGLE
26W	2500lm	3000K / 3500K / 4000K	TRIAC	90+	20° / 40°

PRODUCT DIMENSION:



6 3/4"L x 6 3/4"W

FINISHES:



ORDERING GUIDE:

MODEL	KELVIN	BEAM ANGLE	FINISH
TE131LED	-30 3000K	-2 20°	-01 Black/Black
	-35 3500K	-4 40°	-02 White/Black
	-40 4000K		-22 White/White
			-0N Platinum/Black

EXAMPLE: TE131LED-30-2-01

***HOUSING OPTIONS (SOLD SEPARATELY):**

Refer to page 177 for housing specification

24057-011 NEW CONSTRUCTION PLATE

30372-016 AIRTIGHT IC BOX

24077-019 INSULATED CEILING BOX



Cut Hole 6 3/4"L x 6 3/4"W
Dimension 12 3/4"L x 12 3/4"W x 1 3/8"H



Cut Hole 6 3/4"L x 6 3/4"W
Dimension 12 3/4"L x 12 3/4"W x 11 1/2"H



TRIMLESS

TE221LED

HOUSING

- 18 gauge powder coated steel housing
- Remodel housing complete with adjustable mounting clips suitable for 1/2" and 5/8" drywall
- New construction plate, insulated ceiling box and airtight IC box sold separately (refer to housing options)*

MESH PLATE

- Steel mesh plate (included)
- Perforated perimeter allows mud to bond to mounting surface leaving a seamless finish in the ceiling

LAMPING

- 1 x 26W Integrated LED TRIAC Dimming.
- For 0-10V and alternate dimming options consult Eurofase
- **Beam angle:** 20°/40°
- **Horizontal adjustment:** 0° - 20°
- **Kelvin:** 3000K/3500K/4000K
- **Lumen per head:** 2500lm
- **CRI:** 90+

ELECTRICAL

- Class 2 dimmable constant current driver (included)
- Driver box mates to fixture by 24" flexible BX cable and has one 1/2" and two 3/4" knockouts for through branch circuit wiring
- Thermally protected
- **Input voltage:** 120V.
- For 277V and 347V input options consult Eurofase

DIMENSIONS

- **Cut hole:** 6 1/2"L x 6 1/2"W
- **Fixture:** 6 1/4"L x 6 1/4"W x 7"H

PHOTOMETRICS

- See pg 82

CUSTOMIZATION

- For customization, please consult Eurofase



Mesh plate included



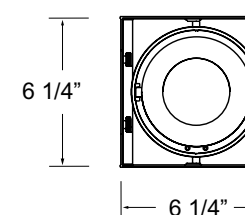
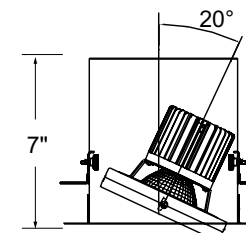
Driver box included

SPECIFICATION:



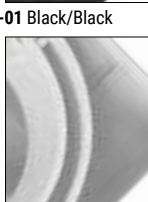
WATTS PER HEAD	LUMENS PER HEAD	KELVIN	DIMMABLE	CRI	BEAM ANGLE
26W	2500lm	3000K / 3500K / 4000K	TRIAC	90+	20° / 40°

PRODUCT DIMENSION:



6 1/2"L x 6 1/2"W

FINISHES:



-02 White/White

ORDERING GUIDE:

MODEL	KELVIN	BEAM ANGLE	FINISH
TE221LED	-30 3000K	-2 20°	-01 Black/Black
	-35 3500K	-4 40°	-02 White/White
	-40 4000K		

EXAMPLE: TE221LED-30-2-01

***HOUSING OPTIONS (SOLD SEPARATELY):**

Refer to page 177 for housing specification

24067-010 NEW CONSTRUCTION PLATE

30383-012 AIRTIGHT IC BOX

24087-018 INSULATED CEILING BOX



Cut Hole 6 1/2"L x 6 1/2"W
Dimension 12 3/4"L x 12 3/4"W x 1 3/8"H



Cut Hole 6 1/2"L x 6 1/2"W
Dimension 12 3/4"L x 12 3/4"W x 11 1/2"H



TRIM

TE132LED

HOUSING

- 18 gauge powder coated steel housing
- Remodel housing complete with adjustable mounting clips suitable for 1/2" and 5/8" drywall
- New construction plate, insulated ceiling box and airtight IC box sold separately (refer to housing options)*

TRIM

- Extruded 6063 aluminum trim
- Powder coated finish
- Available in black, white and platinum

LAMPING

- 2 x 26W Integrated LED TRIAC Dimming.
- For 0-10V and alternate dimming options consult Eurofase
- **Beam angle:** 20°/40°
- **Horizontal adjustment:** 0° - 20°
- **Kelvin:** 3000K/3500K/4000K
- **Lumen per head:** 2500lm
- **Total Lumens:** 5000lm
- **CRI:** 90+

ELECTRICAL

- Class 2 dimmable constant current driver (included)
- Driver box mates to fixture by 24" flexible BX cable and has one 1/2" and two 3/4" knockouts for through branch circuit wiring
- Thermally protected
- **Input voltage:** 120V.
- For 277V and 347V input options consult Eurofase

DIMENSIONS

- **Cut hole:** 12 3/4"L x 6 3/4"W
- **Fixture:** 13 7/16"L x 7 3/4"W x 7"H

PHOTOMETRICS

- See pg 82

CUSTOMIZATION

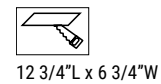
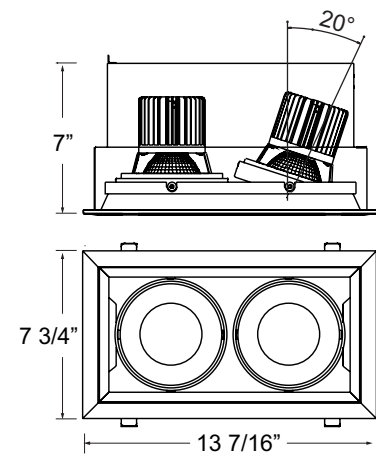
- For customization, please consult Eurofase



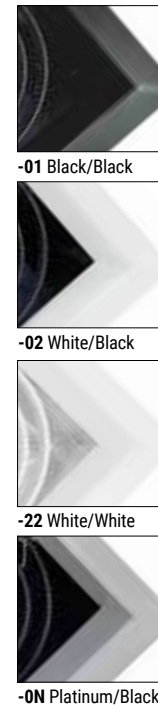
SPECIFICATION:

LED ENVIRONMENT	WATTS PER HEAD	LUMENS PER HEAD	KELVIN	DIMMABLE	CRI	BEAM ANGLE
	26W	2500lm	3000K / 3500K / 4000K	TRIAC	90+	20° / 40°

PRODUCT DIMENSION:



FINISHES:



ORDERING GUIDE:

MODEL	KELVIN	BEAM ANGLE	FINISH
TE132LED	-30 3000K	-2 20°	-01 Black/Black
	-35 3500K	-4 40°	-02 White/Black
	-40 4000K		-22 White/White
			-0N Platinum/Black

EXAMPLE: TE132LED-30-2-01

***HOUSING OPTIONS (SOLD SEPARATELY):**

Refer to page 177 for housing specification

24058-018 NEW CONSTRUCTION PLATE

Cut Hole 12 3/4"L x 6 3/4"W
Dimension 20 1/4"L x 12 3/4"W x 1 3/8"H

30373-013 AIRTIGHT IC BOX
24078-016 INSULATED CEILING BOX

Cut Hole 12 3/4"L x 6 3/4"W
Dimension 20 1/4"L x 12 3/4"W x 11 1/2"H



TRIMLESS

TE222LED

HOUSING

- 18 gauge powder coated steel housing
- Remodel housing complete with adjustable mounting clips suitable for 1/2" and 5/8" drywall
- New construction plate, insulated ceiling box and airtight IC box sold separately (refer to housing options)*

MESH PLATE

- Steel mesh plate (included)
- Perforated perimeter allows mud to bond to mounting surface leaving a seamless finish in the ceiling

LAMPING

- 2 x 26W Integrated LED TRIAC Dimming.
- For 0-10V and alternate dimming options consult Eurofase
- **Beam angle:** 20°/40°
- **Horizontal adjustment:** 0° - 20°
- **Kelvin:** 3000K/3500K/4000K
- **Lumen per head:** 2500lm
- **Total Lumens:** 5000lm
- **CRI:** 90+

ELECTRICAL

- Class 2 dimmable constant current driver (included)
- Driver box mates to fixture by 24" flexible BX cable and has one 1/2" and two 3/4" knockouts for through branch circuit wiring
- Thermally protected
- **Input voltage:** 120V.
- For 277V and 347V input options consult Eurofase

DIMENSIONS

- **Cut hole:** 12 1/2"L x 6 1/2"W
- **Fixture:** 12 3/8"L x 6 1/4"W x 7"H

PHOTOMETRICS

- See pg 82

CUSTOMIZATION

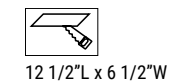
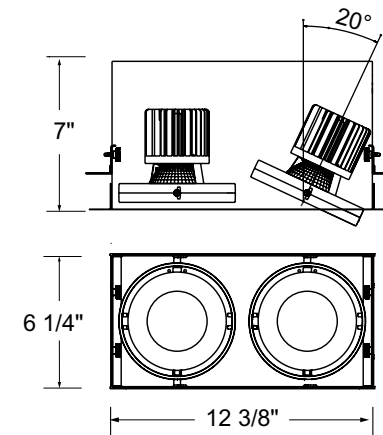
- For customization, please consult Eurofase



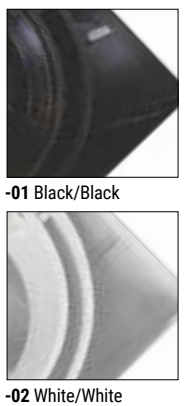
SPECIFICATION:

LED ENVIRONMENT	WATTS PER HEAD	LUMENS PER HEAD	KELVIN	DIMMABLE	CRI	BEAM ANGLE
	26W	2500lm	3000K / 3500K / 4000K	TRIAC	90+	20° / 40°

PRODUCT DIMENSION:



FINISHES:



ORDERING GUIDE:

MODEL	KELVIN	BEAM ANGLE	FINISH
TE222LED	-30 3000K	-2 20°	-01 Black/Black
	-35 3500K	-4 40°	-02 White/White
	-40 4000K		

EXAMPLE: TE222LED-30-2-01

***HOUSING OPTIONS (SOLD SEPARATELY):**

Refer to page 177 for housing specification

24068-017 NEW CONSTRUCTION PLATE

Cut Hole 12 1/2"L x 6 1/2"W
Dimension 18 1/4"L x 12 3/4"W x 1 3/8"H

30384-019 AIRTIGHT IC BOX
24088-015 INSULATED CEILING BOX

Cut Hole 12 1/2"L x 6 1/2"W
Dimension 18 1/4"L x 12 3/4"W x 9 1/2"H



TRIM

TE133LED

HOUSING

- 18 gauge powder coated steel housing
- Remodel housing complete with adjustable mounting clips suitable for 1/2" and 5/8" drywall
- New construction plate, insulated ceiling box and airtight IC box sold separately (refer to housing options)*

TRIM

- Extruded 6063 aluminum trim
- Powder coated finish
- Available in black, white and platinum

LAMPING

- 3 x 26W Integrated LED TRIAC Dimming. For 0-10V and alternate dimming options consult Eurofase
- **Beam angle:** 20°/40°
- **Horizontal adjustment:** 0° - 20°
- **Kelvin:** 3000K/3500K/4000K
- **Lumen per head:** 2500lm
- **Total Lumens:** 7500lm
- **CRI:** 90+

ELECTRICAL

- Class 2 dimmable constant current driver (included)
- Driver box mates to fixture by 24" flexible BX cable and has three 1/2" and four 3/4" knockouts for through branch circuit wiring
- Thermally protected
- **Input voltage:** 120V. For 277V and 347V input options consult Eurofase

DIMENSIONS

- **Cut hole:** 18"L x 6 3/4"W
- **Fixture:** 18 13/16"L x 7 3/4"W x 7"H

PHOTOMETRICS

- See pg 82

CUSTOMIZATION

- For customization, please consult Eurofase



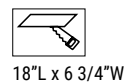
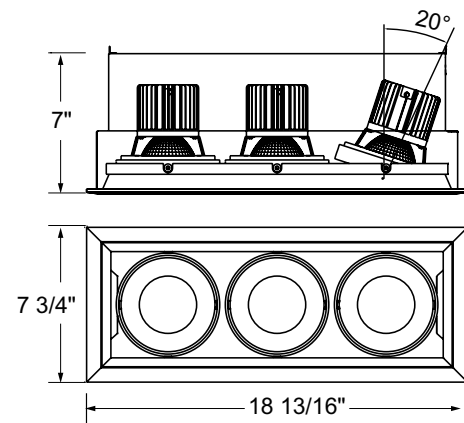
Driver box included

SPECIFICATION:



WATTS PER HEAD	LUMENS PER HEAD	KELVIN	DIMMABLE	CRI	BEAM ANGLE
26W	2500lm	3000K / 3500K / 4000K	TRIAC	90+	20° / 40°

PRODUCT DIMENSION:



18"L x 6 3/4"W

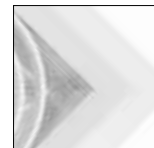
FINISHES:



-01 Black/Black



-02 White/Black



-22 White/White



-0N Platinum/Black

ORDERING GUIDE:

MODEL	KELVIN	BEAM ANGLE	FINISH
TE133LED	-30 3000K	-2 20°	-01 Black/Black
	-35 3500K	-4 40°	-02 White/Black
	-40 4000K		-22 White/White
			-0N Platinum/Black

EXAMPLE: TE133LED-30-2-01

***HOUSING OPTIONS (SOLD SEPARATELY):**

Refer to page 177 for housing specification

24059-015 NEW CONSTRUCTION PLATE



Cut Hole 18"L x 6 3/4"W
Dimension 27 1/4"L x 12 3/4"W x 1 3/8"H

30374-010 AIRTIGHT IC BOX

24079-013 INSULATED CEILING BOX



Cut Hole 18"L x 6 3/4"W
Dimension 27 1/4"L x 12 3/4"W x 11 1/2"H



TRIMLESS

TE223LED

HOUSING

- 18 gauge powder coated steel housing
- Remodel housing complete with adjustable mounting clips suitable for 1/2" and 5/8" drywall
- New construction plate, insulated ceiling box and airtight IC box sold separately (refer to housing options) *

MESH PLATE

- Steel mesh plate (included)
- Perforated perimeter allows mud to bond to mounting surface leaving a seamless finish in the ceiling

LAMPING

- 3 x 26W Integrated LED TRIAC Dimming. For 0-10V and alternate dimming options consult Eurofase
- **Beam angle:** 20°/40°
- **Horizontal adjustment:** 0° - 20°
- **Kelvin:** 3000K/3500K/4000K
- **Lumen per head:** 2500lm
- **Total Lumens:** 7500lm
- **CRI:** 90+

ELECTRICAL

- Class 2 dimmable constant current driver (included)
- Driver box mates to fixture by 24" flexible BX cable and has three 1/2" and four 3/4" knockouts for through branch circuit wiring
- Thermally protected
- **Input voltage:** 120V. For 277V and 347V input options consult Eurofase

DIMENSIONS

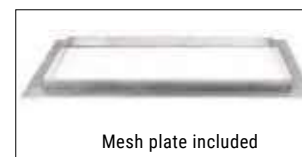
- **Cut hole:** 18 5/8"L x 6 1/2"W
- **Fixture:** 18 1/2"L x 6 1/4"W x 7"H

PHOTOMETRICS

- See pg 83

CUSTOMIZATION

- For customization, please consult Eurofase



Mesh plate included



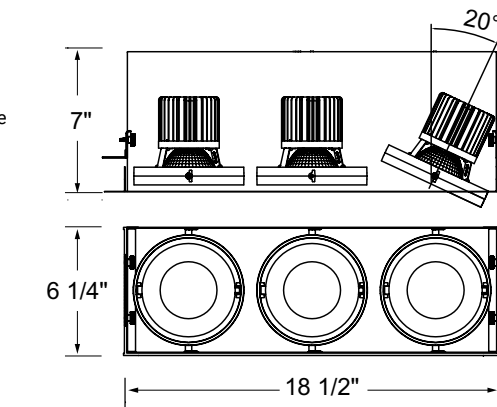
Driver box included

SPECIFICATION:



WATTS PER HEAD	LUMENS PER HEAD	KELVIN	DIMMABLE	CRI	BEAM ANGLE
26W	2500lm	3000K / 3500K / 4000K	TRIAC	90+	20° / 40°

PRODUCT DIMENSION:

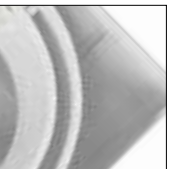


18 5/8"L x 6 1/2"W

FINISHES:



-01 Black/Black



-02 White/White

ORDERING GUIDE:

MODEL	KELVIN	BEAM ANGLE	FINISH
TE223LED	-30 3000K	-2 20°	-01 Black/Black
	-35 3500K	-4 40°	-02 White/White
	-40 4000K		

EXAMPLE: TE223LED-30-2-01

***HOUSING OPTIONS (SOLD SEPARATELY):**

Refer to page 177 for housing specification

24069-014 NEW CONSTRUCTION PLATE



Cut Hole 18 5/8"L x 6 1/2"W
Dimension 24"L x 12 3/4"W x 1 3/8"H

30385-016 AIRTIGHT IC BOX

24089-012 INSULATED CEILING BOX



Cut Hole 18 5/8"L x 6 1/2"W
Dimension 24"L x 12 3/4"W x 11 1/2"H



TRIM

TE134BLED

HOUSING

- 18 gauge powder coated steel housing
- Remodel housing complete with adjustable mounting clips suitable for 1/2" and 5/8" drywall
- New construction plate, insulated ceiling box and airtight IC box sold separately (refer to housing options)*

TRIM

- Extruded 6063 aluminum trim
- Powder coated finish
- Available in black, white and platinum

LAMPING

- 4 x 26W Integrated LED TRIAC Dimming.
- For 0-10V and alternate dimming options consult Eurofase
- **Beam angle:** 20°/40°
- **Horizontal adjustment:** 0° - 20°
- **Kelvin:** 3000K/3500K/4000K
- **Lumen per head:** 2500lm
- **Total Lumens:** 10000lm
- **CRI:** 90+

ELECTRICAL

- Class 2 dimmable constant current driver (included)
- Driver box mates to fixture by 24" flexible BX cable and has three 1/2" and four 3/4" knockouts for through branch circuit wiring
- Thermally protected
- **Input voltage:** 120V.
- For 277V and 347V input options consult Eurofase

DIMENSIONS

- **Cut hole:** 12 3/4"L x 12 3/4"W
- **Fixture:** 13 3/8"L x 13 3/8"W x 7"H

PHOTOMETRICS

- See pg 83

CUSTOMIZATION

- For customization, please consult Eurofase

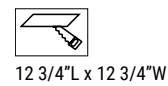
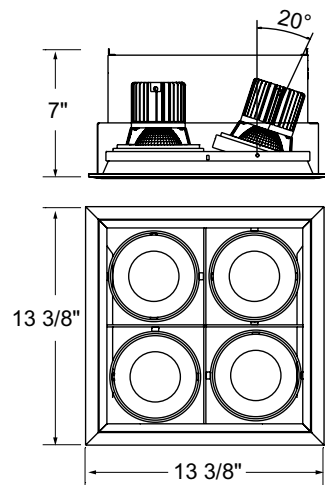


SPECIFICATION:

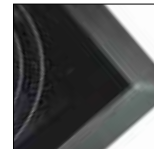


WATTS PER HEAD	LUMENS PER HEAD	KELVIN	DIMMABLE	CRI	BEAM ANGLE
26W	2500lm	3000K / 3500K / 4000K	TRIAC	90+	20° / 40°

PRODUCT DIMENSION:



FINISHES:



ORDERING GUIDE:

MODEL	KELVIN	BEAM ANGLE	FINISH
TE134LED	-30 3000K	-2 20°	-01 Black/Black
	-35 3500K	-4 40°	-02 White/Black
	-40 4000K		-22 White/White
			-0N Platinum/Black

EXAMPLE: TE134BLED-30-2-01

***HOUSING OPTIONS (SOLD SEPARATELY):**

Refer to page 177 for housing specification

24061-018 NEW CONSTRUCTION PLATE

30376-014 AIRTIGHT IC BOX

24081-016 INSULATED CEILING BOX



Cut Hole 12 3/4"L x 12 3/4"W
Dimension 20"L x 18"W x 1 3/8"H



Cut Hole 12 3/4"L x 12 3/4"W
Dimension 20"L x 18"W x 11 1/2"H



TRIMLESS

TE224BLED

HOUSING

- 18 gauge powder coated steel housing
- Remodel housing complete with adjustable mounting clips suitable for 1/2" and 5/8" drywall
- New construction plate, insulated ceiling box and airtight IC box sold separately (refer to housing options)*

MESH PLATE

- Steel mesh plate (included)
- Perforated perimeter allows mud to bond to mounting surface leaving a seamless finish in the ceiling

LAMPING

- 4 x 26W Integrated LED TRIAC Dimming.
- For 0-10V and alternate dimming options consult Eurofase
- **Beam angle:** 20°/40°
- **Horizontal adjustment:** 0° - 20°
- **Kelvin:** 3000K/3500K/4000K
- **Lumen per head:** 2500lm
- **Total Lumens:** 10000lm
- **CRI:** 90+

ELECTRICAL

- Class 2 dimmable constant current driver (included)
- Driver box mates to fixture by 24" flexible BX cable and has three 1/2" and four 3/4" knockouts for through branch circuit wiring
- Thermally protected
- **Input voltage:** 120V.
- For 277V and 347V input options consult Eurofase

DIMENSIONS

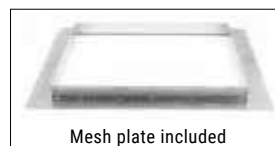
- **Cut hole:** 12 7/8"L x 12 7/8"W
- **Fixture:** 12 5/8"L x 12 5/8"W x 7"H

PHOTOMETRICS

- See pg 83

CUSTOMIZATION

- For customization, please consult Eurofase

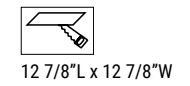
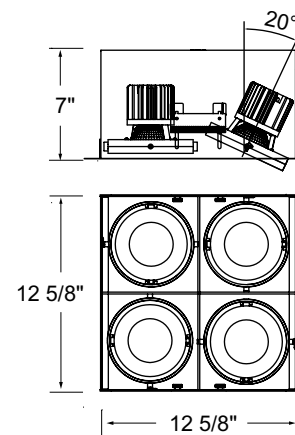


SPECIFICATION:

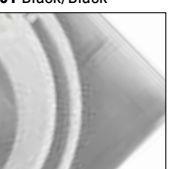


WATTS PER HEAD	LUMENS PER HEAD	KELVIN	DIMMABLE	CRI	BEAM ANGLE
26W	2500lm	3000K / 3500K / 4000K	TRIAC	90+	20° / 40°

PRODUCT DIMENSION:



FINISHES:



ORDERING GUIDE:

MODEL	KELVIN	BEAM ANGLE	FINISH
TE224LED	-30 3000K	-2 20°	-01 Black/Black
	-35 3500K	-4 40°	-02 White/White
	-40 4000K		

EXAMPLE: TE224BLED-30-2-01

***HOUSING OPTIONS (SOLD SEPARATELY):**

Refer to page 177 for housing specification

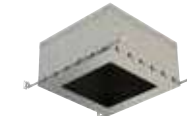
24070-010 NEW CONSTRUCTION PLATE

30386-013 AIRTIGHT IC BOX

24090-018 INSULATED CEILING BOX



Cut Hole 13"L x 13"W
Dimension 20"L x 18"W x 1 3/8"H



Cut Hole 13"L x 13"W
Dimension 20"L x 18"W x 11 1/2"H

MULTIPLE RECESSED LED 26W



TRIM

TE134ALED

HOUSING

- 18 gauge powder coated steel housing
- Remodel housing complete with adjustable mounting clips suitable for 1/2" and 5/8" drywall
- New construction plate, insulated ceiling box and airtight IC box sold separately (refer to housing options)*

TRIM

- Extruded 6063 aluminum trim
- Powder coated finish
- Available in black, white and platinum

LAMPING

- 4 x 26W Integrated LED TRIAC Dimming.
- For 0-10V and alternate dimming options consult Eurofase
- **Beam angle:** 20°/40°
- **Horizontal adjustment:** 0° - 20°
- **Kelvin:** 3000K/3500K/4000K
- **Lumen per head:** 2500lm
- **Total Lumens:** 10000lm
- **CRI:** 90+

ELECTRICAL

- Class 2 dimmable constant current driver (included)
- Driver box mates to fixture by 24" flexible BX cable and has three 1/2" and four 3/4" knockouts for through branch circuit wiring
- Thermally protected
- **Input voltage:** 120V.
- For 277V and 347V input options consult Eurofase

DIMENSIONS

- **Cut hole:** 23 5/8"L x 6 3/4"W
- **Fixture:** 24 1/4"L x 7 3/4"W x 7"H

PHOTOMETRICS

- See pg 84

CUSTOMIZATION

- For customization, please consult Eurofase



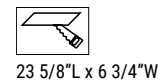
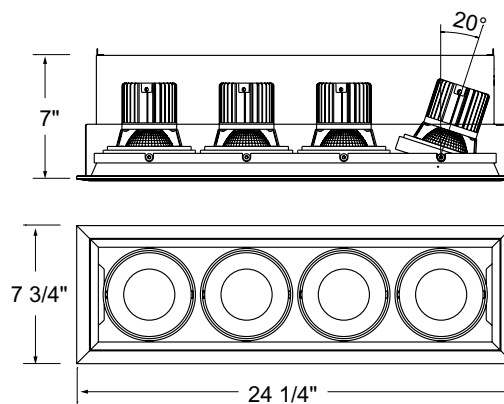
Driver box included

SPECIFICATION:



WATTS PER HEAD	LUMENS PER HEAD	KELVIN	DIMMABLE	CRI	BEAM ANGLE
26W	2500lm	3000K / 3500K / 4000K	TRIAC	90+	20° / 40°

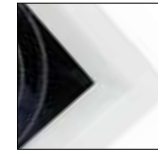
PRODUCT DIMENSION:



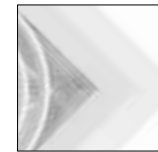
FINISHES:



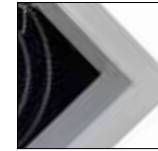
-01 Black/Black



-02 White/Black



-22 White/White



-0N Platinum/Black

ORDERING GUIDE:

MODEL	KELVIN	BEAM ANGLE	FINISH
TE134ALED	-30 3000K	-2 20°	-01 Black/Black
	-35 3500K	-4 40°	-02 White/Black
	-40 4000K		-22 White/White
			-0N Platinum/Black

EXAMPLE: TE134ALED-30-2-01

***HOUSING OPTIONS (SOLD SEPARATELY):**

Refer to page 177 for housing specification

24060-011 NEW CONSTRUCTION PLATE

30375-017 AIRTIGHT IC BOX

24080-019 INSULATED CEILING BOX



Cut Hole 23 5/8"L x 6 3/4"W
Dimension 34"L x 12 3/4"W x 1 3/8"H

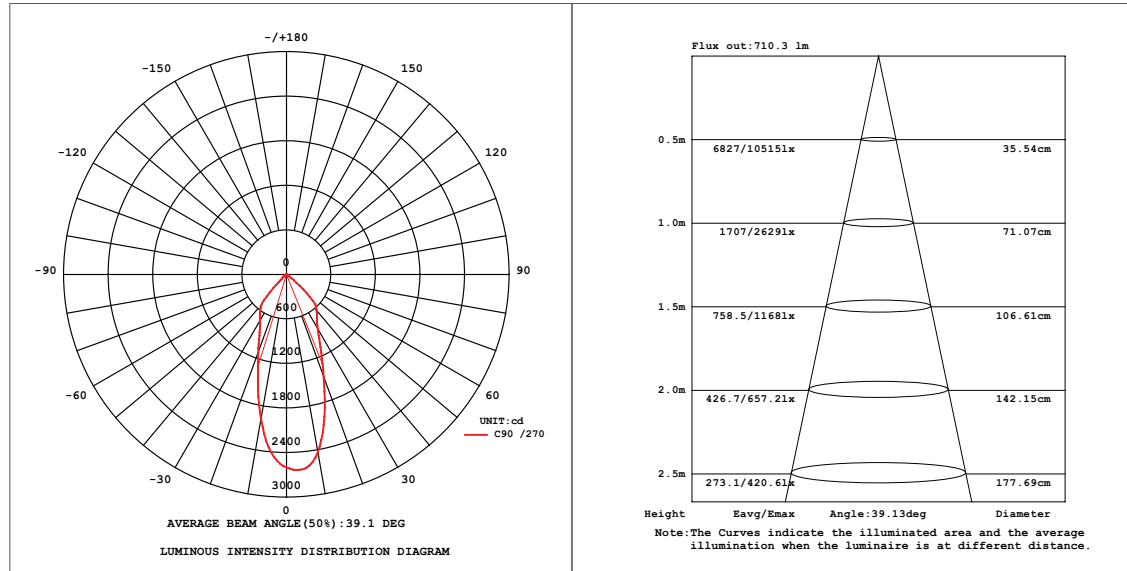


Cut Hole 23 5/8"L x 6 3/4"W
Dimension 34"L x 12 3/4"W x 11 1/2"H

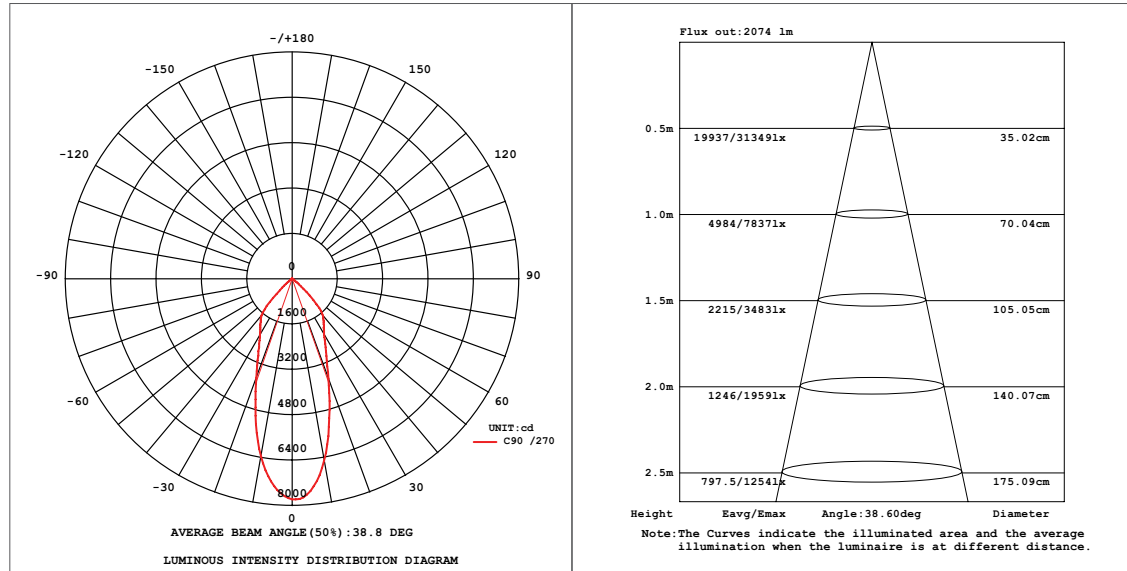




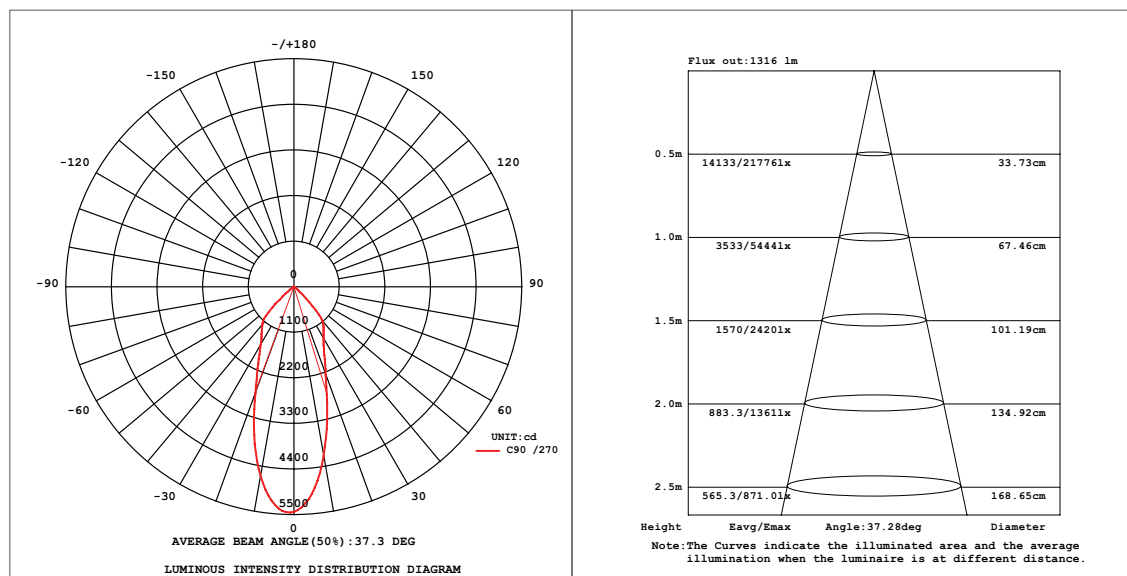
TE131LED | TE221LED



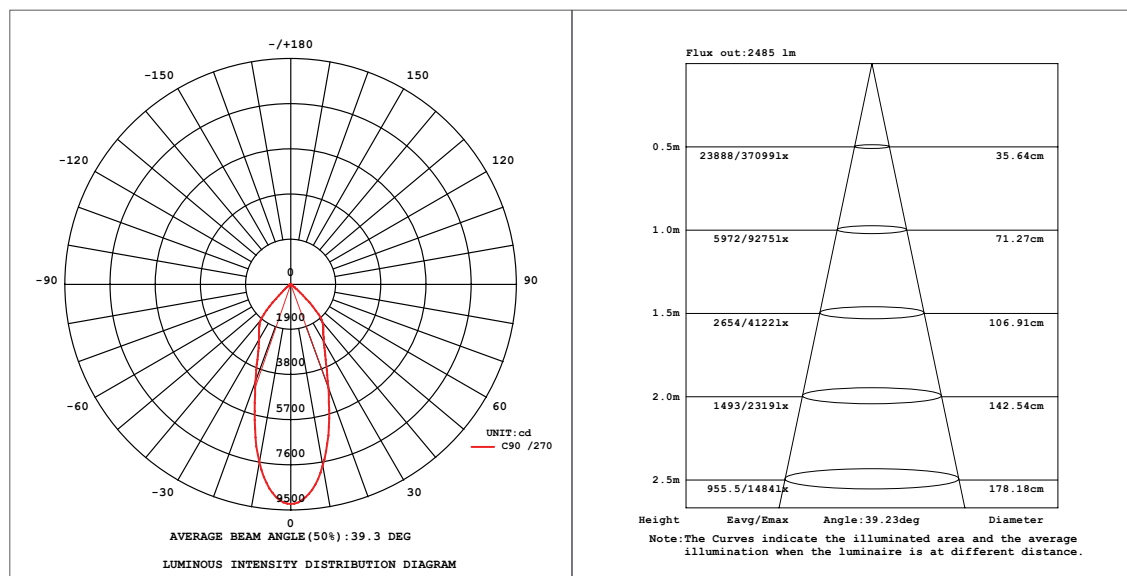
TE133LED | TE223LED



TE132LED | TE222LED



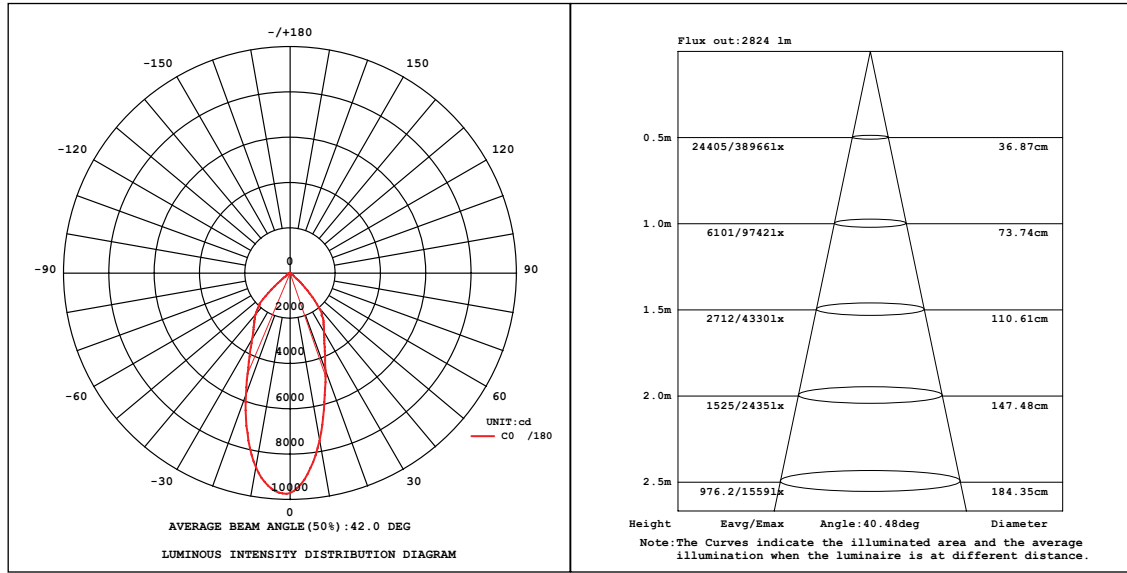
TE134BLED | TE224BLED



MULTIPLE RECESSED LED 26W



TE134ALED



MULTIPLE RECESSED GU10



FINISH OPTIONS:



BLACK / BLACK



WHITE / BLACK



WHITE / WHITE



PLATINUM / BLACK



GU10

MULTIPLE RECESSED **GU10**



*LED COMPATIBLE

TRIM

TRIMLESS

TE111GU10



PG 88

TE211GU10



PG 89

TE112GU10



PG 90

TE212GU10



PG 91

TE113GU10



PG 92

TE213GU10



PG 93

TE114BGU10



PG 94

TE214BGU10



PG 95

TE114AGU10



PG 96

MULTIPLE RECESSED GU10

MULTIPLE RECESSED GU10



TRIM

TE111GU10

HOUSING

- 18 gauge powder coated steel housing
- Remodel housing complete with adjustable mounting clips suitable for 1/2" and 5/8" drywall
- New construction plate, insulated ceiling box and airtight IC box sold separately (refer to housing options)*

TRIM

- Extruded 6063 aluminum trim
- Powder coated finish
- Available in black, white and platinum

LAMPING

- 1 x 50W max. GU10 (not included)
- **Horizontal adjustment:** 0° - 35°

ELECTRICAL

- Integral electrical junction box
- Junction box has two 1/2" and four 3/4" knockouts for through branch circuit wiring
- Thermally protected
- **Input voltage:** 120V

DIMENSIONS

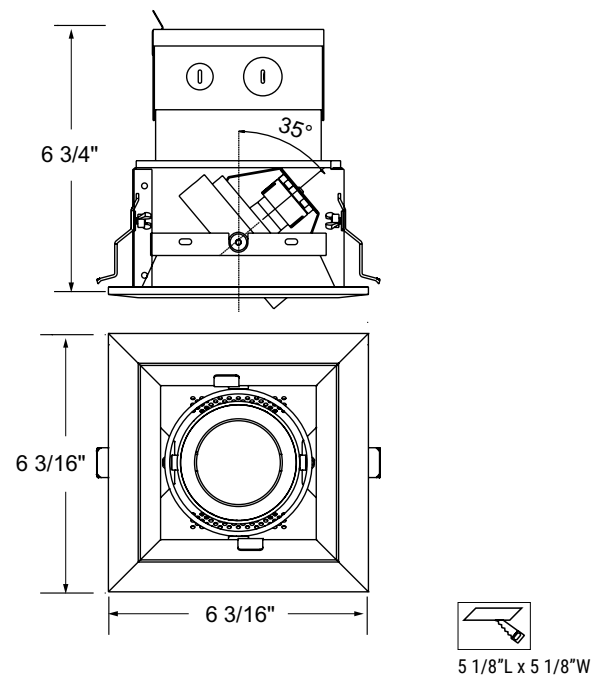
- **Cut hole:** 5 1/8"L x 5 1/8"W
- **Fixture:** 6 3/16"L x 6 3/16"W x 6 3/4"H

CUSTOMIZATION

- For customization, please consult Eurofase



PRODUCT DIMENSION:

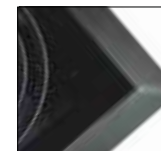


ORDERING GUIDE:

MODEL	FINISH
TE111GU10	-01 Black/Black
	-02 White/Black
	-22 White/White
	-0N Platinum/Black

EXAMPLE: TE111GU10-01

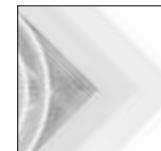
FINISHES:



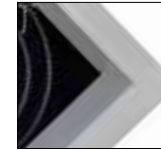
-01 Black/Black



-02 White/Black



-22 White/White



-0N Platinum/Black

*HOUSING OPTIONS (SOLD SEPARATELY):

Refer to page 178 for housing specification

24051-019 NEW CONSTRUCTION PLATE

30366-015 AIRTIGHT IC BOX

24071-017 INSULATED CEILING BOX



Cut Hole 5 1/8"L x 5 1/8"W
Dimension 11 1/4"L x 12 3/4"W x 1 3/8"H



Cut Hole 5 1/8"L x 5 1/8"W
Dimension 11 1/4"L x 12 3/4"W x 11 1/2"H



TRIMLESS

TE211GU10

HOUSING

- 18 gauge powder coated steel housing
- Remodel housing complete with adjustable mounting clips suitable for 1/2" and 5/8" drywall
- New construction plate, insulated ceiling box and airtight IC box sold separately (refer to housing options)*

MESH PLATE

- Steel mesh plate (included)
- Perforated perimeter allows mud to bond to mounting surface leaving a seamless finish in the ceiling

LAMPING

- 1 x 50W max. GU10 (not included)
- **Horizontal adjustment:** 0° - 35°

ELECTRICAL

- Integral electrical junction box
- Junction box has two 1/2" and four 3/4" knockouts for through branch circuit wiring
- Thermally protected
- **Input voltage:** 120V

DIMENSIONS

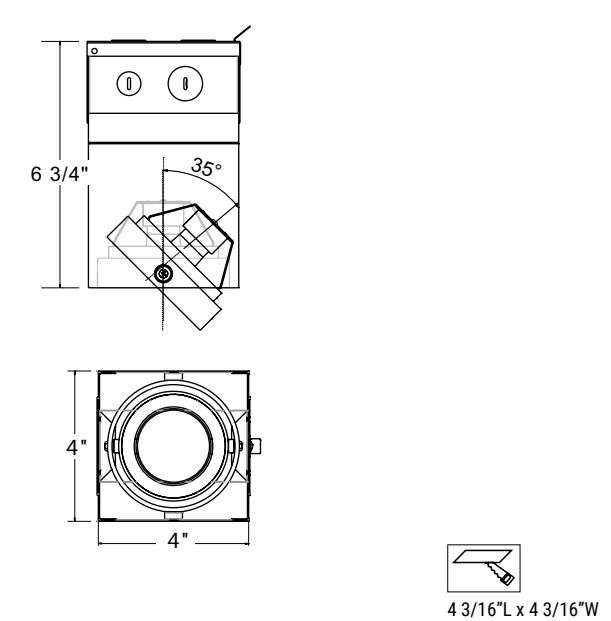
- **Cut hole:** 4 3/16"L x 4 3/16"W
- **Fixture:** 4"L x 4"W x 6 3/4"H

CUSTOMIZATION

- For customization, please consult Eurofase



PRODUCT DIMENSION:



ORDERING GUIDE:

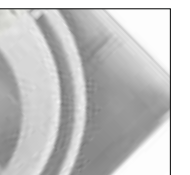
MODEL	FINISH
TE211GU10	-01 Black/Black
	-02 White/White

EXAMPLE: TE211GU10-01

FINISHES:



-01 Black/Black



-02 White/White

*HOUSING OPTIONS (SOLD SEPARATELY):

Refer to page 179 for housing specification

24063-012 NEW CONSTRUCTION PLATE

30378-018 AIRTIGHT IC BOX

24083-010 INSULATED CEILING BOX



Cut Hole 4 3/16"L x 4 3/16"W
Dimension 11"L x 9"W x 1 3/8"H



Cut Hole 4 3/16"L x 4 3/16"W
Dimension 11"L x 9"W x 9 1/2"H

MULTIPLE RECESSED GU10



TRIM

TE112GU10

HOUSING

- 18 gauge powder coated steel housing
- Remodel housing complete with adjustable mounting clips suitable for 1/2" and 5/8" drywall
- New construction plate, insulated ceiling box and airtight IC box sold separately (refer to housing options)*

TRIM

- Extruded 6063 aluminum trim
- Powder coated finish
- Available in black, white and platinum

LAMPING

- 2 x 50W max. GU10 (not included)
- **Horizontal adjustment:** 0° - 35°

ELECTRICAL

- Integral electrical junction box
- Junction box has two 1/2" and four 3/4" knockouts for through branch circuit wiring
- Thermally protected
- **Input voltage:** 120V

DIMENSIONS

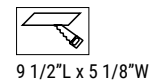
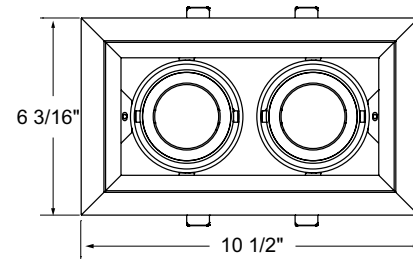
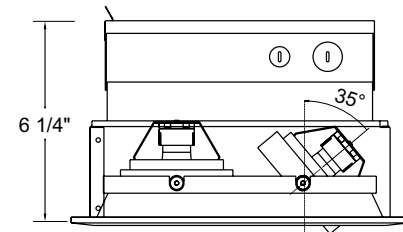
- **Cut hole:** 9 1/2"L x 5 1/8"W
- **Fixture:** 10 1/2"L x 6 3/16"W x 6 1/4"H

CUSTOMIZATION

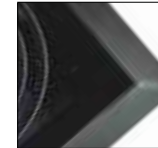
- For customization, please consult Eurofase



PRODUCT DIMENSION:



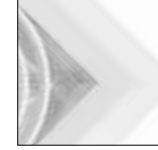
FINISHES:



-01 Black/Black



-02 White/Black



-22 White/White



-0N Platinum/Black

ORDERING GUIDE:

MODEL	FINISH
TE112GU10	-01 Black/Black
	-02 White/Black
	-22 White/White
	-0N Platinum/Black

EXAMPLE: TE112GU10-01

*HOUSING OPTIONS (SOLD SEPARATELY):

Refer to page 178 for housing specification

24052-016 NEW CONSTRUCTION PLATE

30367-012 AIRTIGHT IC BOX
24072-014 INSULATED CEILING BOX



Cut Hole 9 1/2"L x 5 1/8"W
Dimension 17"L x 12 3/4"W x 1 3/8"H



Cut Hole 9 1/2"L x 5 1/8"W
Dimension 17"L x 12 3/4"W x 11 1/2"H



TRIMLESS

TE212GU10

HOUSING

- 18 gauge powder coated steel housing
- Remodel housing complete with adjustable mounting clips suitable for 1/2" and 5/8" drywall
- New construction plate, insulated ceiling box and airtight IC box sold separately (refer to housing options)*

MESH PLATE

- Steel mesh plate (included)
- Perforated perimeter allows mud to bond to mounting surface leaving a seamless finish in the ceiling

LAMPING

- 2 x 50W max. GU10 (not included)
- **Horizontal adjustment:** 0° - 35°

ELECTRICAL

- Integral electrical junction box
- Junction box has two 1/2" and four 3/4" knockouts for through branch circuit wiring
- Thermally protected
- **Input voltage:** 120V

DIMENSIONS

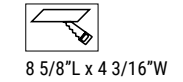
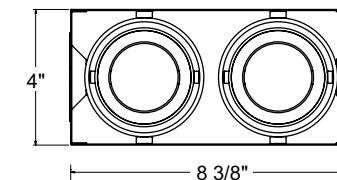
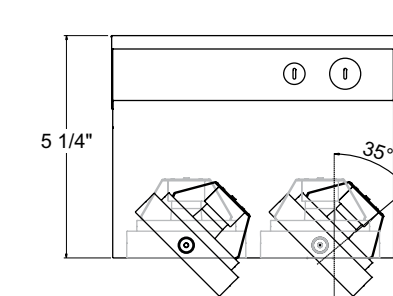
- **Cut hole:** 8 5/8"L x 4 3/16"W
- **Fixture:** 8 3/8"L x 4"W x 5 1/4"H

CUSTOMIZATION

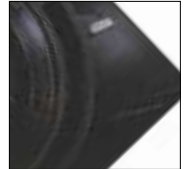
- For customization, please consult Eurofase



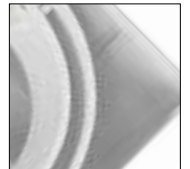
PRODUCT DIMENSION:



FINISHES:



-01 Black/Black

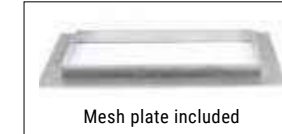


-02 White/White

ORDERING GUIDE:

MODEL	FINISH
TE212GU10	-01 Black/Black
	-02 White/White

EXAMPLE: TE212GU10-01



*HOUSING OPTIONS (SOLD SEPARATELY):

Refer to page 179 for housing specification

24064-019 NEW CONSTRUCTION PLATE

30379-015 AIRTIGHT IC BOX
24084-017 INSULATED CEILING BOX



Cut Hole 8 5/8"L x 4 3/16"W
Dimension 8 5/8"L x 8 3/4"W x 1 3/8"H



Cut Hole 8 5/8"L x 4 3/16"W
Dimension 8 5/8"L x 8 3/4"W x 9 1/2"H

MULTIPLE RECESSED GU10



TRIM

TE113GU10

HOUSING

- 18 gauge powder coated steel housing
- Remodel housing complete with adjustable mounting clips suitable for 1/2" and 5/8" drywall
- New construction plate, insulated ceiling box and airtight IC box sold separately (refer to housing options)*

TRIM

- Extruded 6063 aluminum trim
- Powder coated finish
- Available in black, white and platinum

LAMPING

- 3 x 50W max. GU10 (not included)
- **Horizontal adjustment:** 0° - 35°

ELECTRICAL

- Integral electrical junction box
- Junction box has two 1/2" and four 3/4" knockouts for through branch circuit wiring
- Thermally protected
- **Input voltage:** 120V

DIMENSIONS

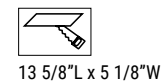
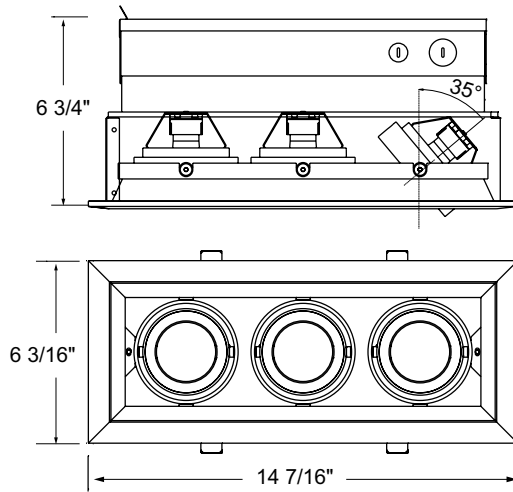
- **Cut hole:** 13 5/8"L x 5 1/8"W
- **Fixture:** 14 7/16"L x 6 3/16"W x 6 3/4"H

CUSTOMIZATION

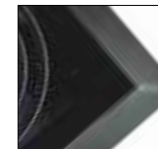
- For customization, please consult Eurofase



PRODUCT DIMENSION:



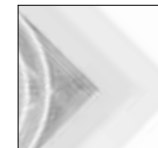
FINISHES:



-01 Black/Black



-02 White/Black



-22 White/White



-0N Platinum/Black

ORDERING GUIDE:

MODEL	FINISH
TE113GU10	-01 Black/Black
	-02 White/Black
	-22 White/White
	-0N Platinum/Black

EXAMPLE: TE113GU10-01



TRIMLESS

TE213GU10

HOUSING

- 18 gauge powder coated steel housing
- Remodel housing complete with adjustable mounting clips suitable for 1/2" and 5/8" drywall
- New construction plate, insulated ceiling box and airtight IC box sold separately (refer to housing options)*

MESH PLATE

- Steel mesh plate (included)
- Perforated perimeter allows mud to bond to mounting surface leaving a seamless finish in the ceiling

LAMPING

- 3 x 50W max. GU10 (not included)
- **Horizontal adjustment:** 0° - 35°

ELECTRICAL

- Integral electrical junction box
- Junction box has two 1/2" and four 3/4" knockouts for through branch circuit wiring
- Thermally protected
- **Input voltage:** 120V

DIMENSIONS

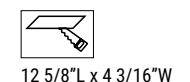
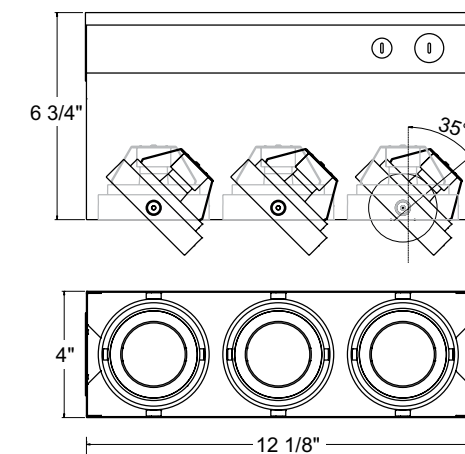
- **Cut hole:** 12 5/8"L x 4 3/16"W
- **Fixture:** 12 1/8"L x 4"W x 6 3/4"H

CUSTOMIZATION

- For customization, please consult Eurofase



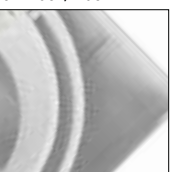
PRODUCT DIMENSION:



FINISHES:



-01 Black/Black

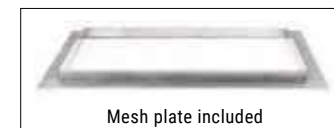


-02 White/White

ORDERING GUIDE:

MODEL	FINISH
TE213GU10	-01 Black/Black
	-02 White/White

EXAMPLE: TE213GU10-01



*HOUSING OPTIONS (SOLD SEPARATELY):

Refer to page 178 for housing specification

24053-013 NEW CONSTRUCTION PLATE

30368-019 AIRTIGHT IC BOX
24073-011 INSULATED CEILING BOX



Cut Hole 13 5/8"L x 5 1/8"W
Dimension 22"L x 12 3/4"W x 1 3/8"H



Cut Hole 13 5/8"L x 5 1/8"W
Dimension 22"L x 12 3/4"W x 11 1/2"H

*HOUSING OPTIONS (SOLD SEPARATELY):

Refer to page 179 for housing specification

24065-016 NEW CONSTRUCTION PLATE

30379-015 AIRTIGHT IC BOX
24085-014 INSULATED CEILING BOX



Cut Hole 12 5/8"L x 4 3/16"W
Dimension 19 3/4"L x 8 3/4"W x 1 3/8"H



Cut Hole 12 5/8"L x 4 3/16"W
Dimension 19 3/4"L x 8 3/4"W x 9 1/2"H

MULTIPLE RECESSED GU10



TRIM

TE114BGU10

HOUSING

- 18 gauge powder coated steel housing
- Remodel housing complete with adjustable mounting clips suitable for 1/2" and 5/8" drywall
- New construction plate, insulated ceiling box and airtight IC box sold separately (refer to housing options)*

TRIM

- Extruded 6063 aluminum trim
- Powder coated finish
- Available in black, white and platinum

LAMPING

- 4 x 50W max. GU10 (not included)
- **Horizontal adjustment:** 0° - 35°

ELECTRICAL

- Integral electrical junction box
- Junction box has two 1/2" and four 3/4" knockouts for through branch circuit wiring
- Thermally protected
- **Input voltage:** 120V

DIMENSIONS

- **Cut hole:** 9 1/2"L x 9 1/2"W
- **Fixture:** 10 9/16"L x 10 9/16"W x 6 3/4"H

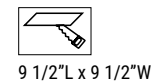
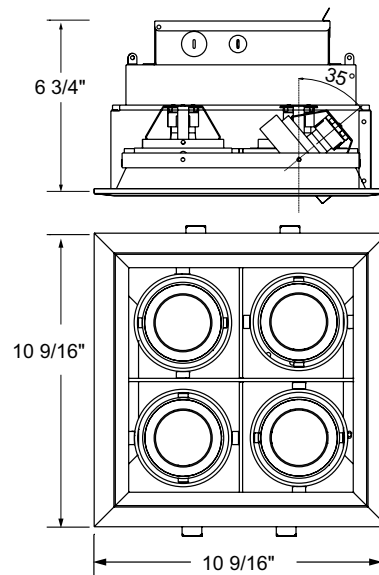
CUSTOMIZATION

- For customization, please consult Eurofase

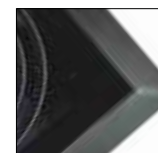


*LED COMPATIBLE

PRODUCT DIMENSION:



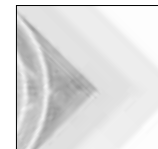
FINISHES:



-01 Black/Black



-02 White/Black



-22 White/White



-0N Platinum/Black

ORDERING GUIDE:

MODEL	FINISH
TE114BGU10	-01 Black/Black
	-02 White/Black
	-22 White/White
	-0N Platinum/Black

EXAMPLE: TE114GU10-01

*HOUSING OPTIONS (SOLD SEPARATELY):

Refer to page 178 for housing specification

24055-017 NEW CONSTRUCTION PLATE

30370-012 AIRTIGHT IC BOX
24075-015 INSULATED CEILING BOX



Cut Hole 9 1/2"L x 9 1/2"W
Dimension 24"L x 18"W x 1 3/8"H



Cut Hole 9 1/2"L x 9 1/2"W
Dimension 24"L x 18"W x 11 1/2"H



TRIMLESS

TE214BGU10

HOUSING

- 18 gauge powder coated steel housing
- Remodel housing complete with adjustable mounting clips suitable for 1/2" and 5/8" drywall
- New construction plate, insulated ceiling box and airtight IC box sold separately (refer to housing options)*

MESH PLATE

- Steel mesh plate (included)
- Perforated perimeter allows mud to bond to mounting surface leaving a seamless finish in the ceiling

LAMPING

- 4 x 50W max. GU10 (not included)
- **Horizontal adjustment:** 0° - 35°

ELECTRICAL

- Integral electrical junction box
- Junction box has two 1/2" and four 3/4" knockouts for through branch circuit wiring
- Thermally protected
- **Input voltage:** 120V

DIMENSIONS

- **Cut hole:** 8 9/16"L x 8 9/16"W
- **Fixture:** 8 3/8"L x 8 3/8"W x 6 3/8"H

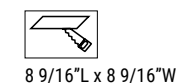
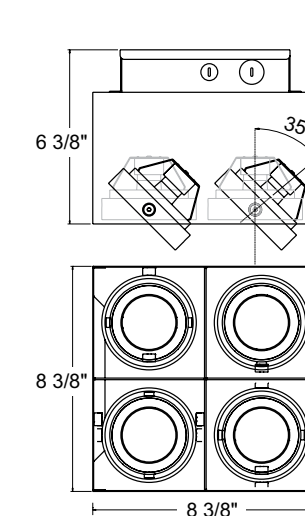
CUSTOMIZATION

- For customization, please consult Eurofase

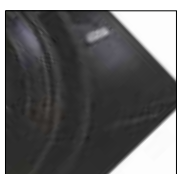


*LED COMPATIBLE

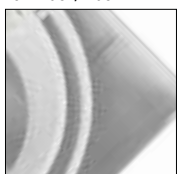
PRODUCT DIMENSION:



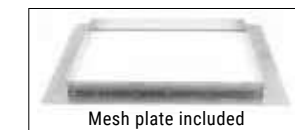
FINISHES:



-01 Black/Black



-02 White/White



Mesh plate included

ORDERING GUIDE:

MODEL	FINISH
TE214BGU10	-01 Black/Black
	-02 White/White

EXAMPLE: TE214BGU10-01

*HOUSING OPTIONS (SOLD SEPARATELY):

Refer to page 179 for housing specification

24066-020 NEW CONSTRUCTION PLATE

30382-015 AIRTIGHT IC BOX
24086-028 INSULATED CEILING BOX



Cut Hole 8 9/16"L x 8 9/16"W
Dimension 20"L x 18"W x 1 3/8"H



Cut Hole 8 9/16"L x 8 9/16"W
Dimension 20"L x 18"W x 11 1/2"H

MULTIPLE RECESSED GU10



TRIM

TE114AGU10

HOUSING

- 18 gauge powder coated steel housing
- Remodel housing complete with adjustable mounting clips suitable for 1/2" and 5/8" drywall
- New construction plate, insulated ceiling box and airtight IC box sold separately (refer to housing options)*

TRIM

- Extruded 6063 aluminum trim
- Powder coated finish
- Available in black, white and platinum

LAMPING

- 4 x 50W max. GU10 (not included)
- **Horizontal adjustment:** 0° - 35°

ELECTRICAL

- Integral electrical junction box
- Junction box has two 1/2" and four 3/4" knockouts for through branch circuit wiring
- Thermally protected
- **Input voltage:** 120V

DIMENSIONS

- **Cut hole:** 17 1/2"L x 5 1/8"W
- **Fixture:** 18 3/8"L x 6 3/16"W x 6 1/4"H

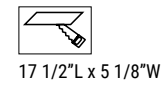
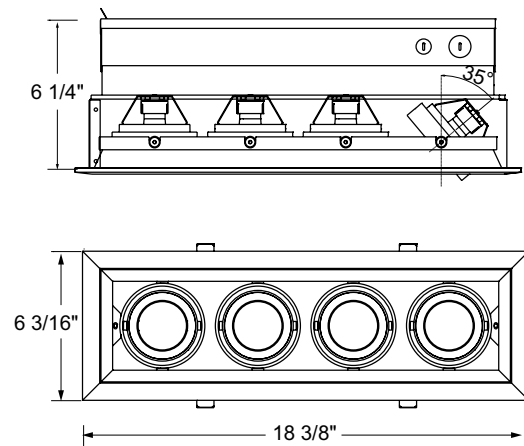
CUSTOMIZATION

- For customization, please consult Eurofase

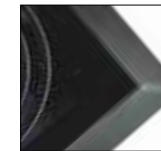


*LED COMPATIBLE

PRODUCT DIMENSION:



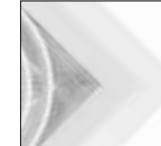
FINISHES:



-01 Black/Black



-02 White/Black



-22 White/White



-0N Platinum/Black

ORDERING GUIDE:

MODEL	FINISH
TE114AGU10	-01 Black/Black
	-02 White/Black
	-22 White/White
	-0N Platinum/Black

EXAMPLE: TE114AGU10-01

*HOUSING OPTIONS (SOLD SEPARATELY):

Refer to page 178 for housing specification

24054-010 NEW CONSTRUCTION PLATE

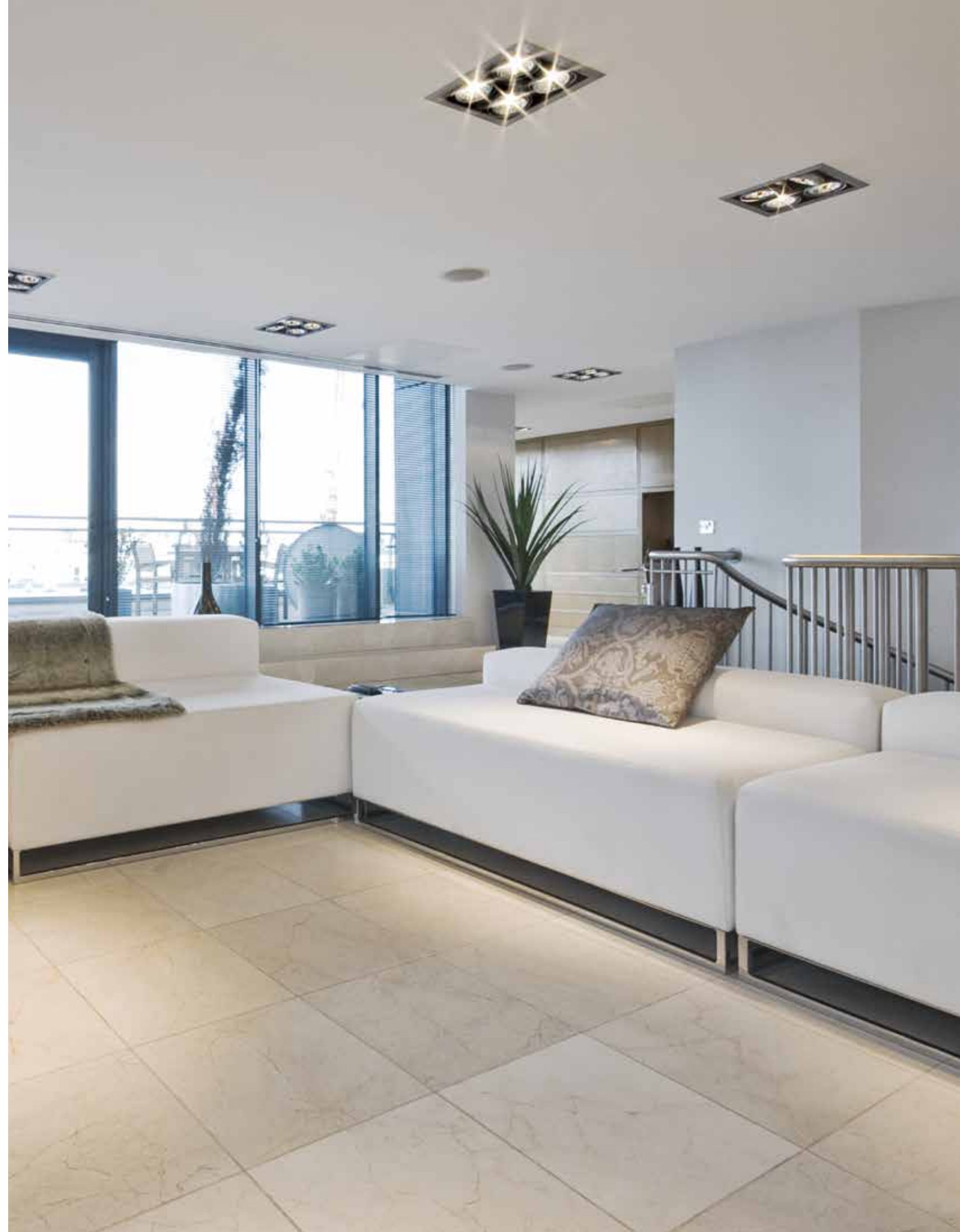
30369-016 AIRTIGHT IC BOX
24074-018 INSULATED CEILING BOX



Cut Hole 17 1/2"L x 5 1/8"W
Dimension 26"L x 12 3/4"W x 1 3/8"H



Cut Hole 17 1/2"L x 5 1/8"W
Dimension 26"L x 12 3/4"W x 11 1/2"H



MULTIPLE RECESSED MR16



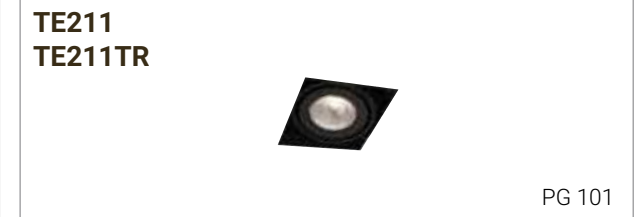
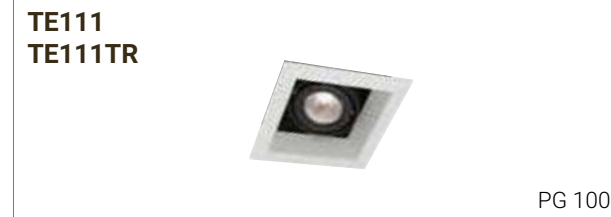
MR16

MULTIPLE RECESSED MR16



TRIM

TRIMLESS



MULTIPLE RECESSED MR16

MULTIPLE RECESSED MR16



TRIM

TE111 TE111TR (WITH TRANSFORMER BOX)



- HOUSING**
- 18 gauge powder coated steel housing
 - Remodel housing complete with adjustable mounting clips suitable for 1/2" and 5/8" drywall
 - New construction plate, insulated ceiling box and airtight IC box sold separately (refer to housing options)*

- TRIM**
- Extruded 6063 aluminum trim
 - Powder coated finish
 - Available in black, white and platinum

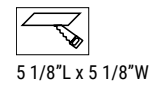
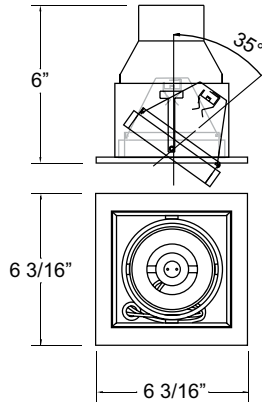
- LAMPING**
- 1 x 50W max. MR16 (not included)
 - **Horizontal adjustment:** 0° - 35°

- ELECTRICAL**
- Integral electrical junction box with one 3/4" knockout
 - Class 2 dimmable electronic low voltage transformer (TR version)
 - Transformer box mates to fixture by 12" of flexible BX cable and has one 3/4" knockout for through branch circuit wiring
 - Thermally protected
 - **Input voltage:** 120V

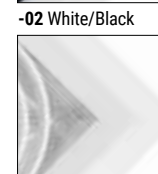
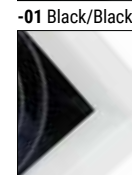
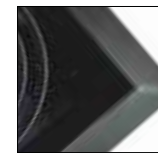
- DIMENSIONS**
- **Cut hole:** 5 1/8"L x 5 1/8"W
 - **Fixture:** 6 3/16"L x 6 3/16"W x 6"H

- CUSTOMIZATION**
- For customization, please consult Eurofase

PRODUCT DIMENSION:



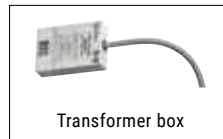
FINISHES:



ORDERING GUIDE:

MODEL	FINISH
TE111	-01 Black/Black
TE111TR (With Transformer Box)	-02 White/Black
	-22 White/White
	-0N Platinum/Black


EXAMPLE: TE111TR-01




Transformer box

***HOUSING OPTIONS (SOLD SEPARATELY):**

Refer to page 180 for housing specification

24051-019 NEW CONSTRUCTION PLATE

Cut Hole 5 1/8"L x 5 1/8"W
Dimension 11 1/4"L x 12 3/4"W x 1 3/8"H

30366-015 AIRTIGHT IC BOX
24071-017 INSULATED CEILING BOX

Cut Hole 5 1/8"L x 5 1/8"W
Dimension 11 1/4"L x 12 3/4"W x 11 1/2"H



TRIMLESS

TE211 TE211TR (WITH TRANSFORMER BOX)



- HOUSING**
- 18 gauge powder coated steel housing
 - Remodel housing complete with adjustable mounting clips suitable for 1/2" and 5/8" drywall
 - New construction plate, insulated ceiling box and airtight IC box sold separately (refer to housing options)*

- MESH PLATE**
- Steel mesh plate (included)
 - Perforated perimeter allows mud to bond to mounting surface leaving a seamless finish in the ceiling

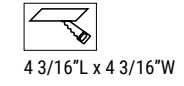
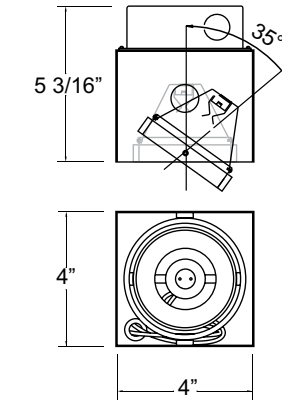
- LAMPING**
- 1 x 50W max. MR16 (not included)
 - **Horizontal adjustment:** 0° - 35°

- ELECTRICAL**
- Integral electrical junction box with one 3/4" knockout
 - Class 2 dimmable electronic low voltage transformer (TR version)
 - Transformer box mates to fixture by 12" of flexible BX cable and has one 3/4" knockout for through branch circuit wiring
 - Thermally protected
 - **Input voltage:** 120V

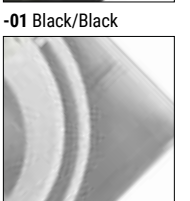
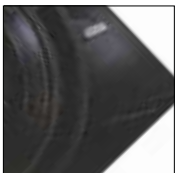
- DIMENSIONS**
- **Cut hole:** 4 3/16"L x 4 3/16"W
 - **Fixture:** 4"L x 4"W x 5 3/16"H

- CUSTOMIZATION**
- For customization, please consult Eurofase

PRODUCT DIMENSION:



FINISHES:

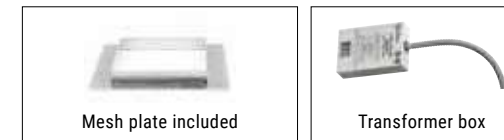


-02 White/Black

ORDERING GUIDE:

MODEL	FINISH
TE211	-01 Black/Black
TE211TR (With Transformer Box)	-02 White/Black

EXAMPLE: TE211TR-01



Mesh plate included




Transformer box

***HOUSING OPTIONS (SOLD SEPARATELY):**

Refer to page 181 for housing specification

24063-012 NEW CONSTRUCTION PLATE

Cut Hole 4 3/16"L x 4 3/16"W
Dimension 11"L x 9"W x 1 3/8"H

30378-018 AIRTIGHT IC BOX
24083-010 INSULATED CEILING BOX

Cut Hole 4 3/16"L x 4 3/16"W
Dimension 11"L x 9"W x 9 1/2"H

MULTIPLE RECESSED MR16



TRIM

TE112 TE112TR (WITH TRANSFORMER BOX)



HOUSING

- 18 gauge powder coated steel housing
- Remodel housing complete with adjustable mounting clips suitable for 1/2" and 5/8" drywall
- New construction plate, insulated ceiling box and airtight IC box sold separately (refer to housing options)*

TRIM

- Extruded 6063 aluminum trim
- Powder coated finish
- Available in black, white and platinum

LAMPING

- 2 x 50W max. MR16 (not included)
- **Horizontal adjustment:** 0° - 35°

ELECTRICAL

- Integral electrical junction box with four 3/4" knockouts
- Class 2 dimmable electronic low voltage transformer (TR version)
- Transformer box mates to fixture by 12" of flexible BX cable and has one 3/4" knockout for through branch circuit wiring
- Thermally protected
- **Input voltage:** 120V

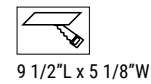
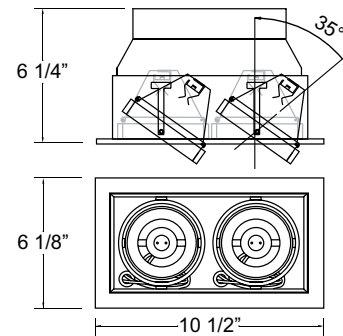
DIMENSIONS

- **Cut hole:** 9 1/2"L x 5 1/8"W
- **Fixture:** 10 1/2"L x 6 1/8"W x 6 1/4"H

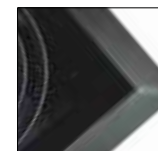
CUSTOMIZATION

- For customization, please consult Eurofase

PRODUCT DIMENSION:



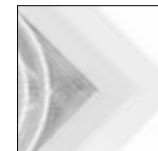
FINISHES:



-01 Black/Black



-02 White/Black



-22 White/White

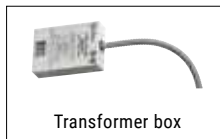


-0N Platinum/Black

ORDERING GUIDE:

MODEL	FINISH
TE112	-01 Black/Black
TE112TR (With Transformer Box)	-02 White/Black
	-22 White/White
	-0N Platinum/Black

EXAMPLE: TE112TR-01



Transformer box

*HOUSING OPTIONS (SOLD SEPARATELY):

Refer to page 180 for housing specification

24052-016 NEW CONSTRUCTION PLATE

30367-012 AIRTIGHT IC BOX

24072-014 INSULATED CEILING BOX



Cut Hole 9 1/2"L x 5 1/8"W
Dimension 17"L x 12 3/4"W x 1 3/8"H



Cut Hole 9 1/2"L x 5 1/8"W
Dimension 17"L x 12 3/4"W x 11 1/2"H



TRIMLESS

TE212 TE212TR (WITH TRANSFORMER BOX)



HOUSING

- 18 gauge powder coated steel housing
- Remodel housing complete with adjustable mounting clips suitable for 1/2" and 5/8" drywall
- New construction plate, insulated ceiling box and airtight IC box sold separately (refer to housing options)*

MESH PLATE

- Steel mesh plate (included)
- Perforated perimeter allows mud to bond to mounting surface leaving a seamless finish in the ceiling

LAMPING

- 2 x 50W max. MR16 (not included)
- **Horizontal adjustment:** 0° - 35°

ELECTRICAL

- Integral electrical junction box with four 3/4" knockouts
- Class 2 dimmable electronic low voltage transformer (TR version)
- Transformer box mates to fixture by 12" of flexible BX cable and has one 3/4" knockout for through branch circuit wiring
- Thermally protected
- **Input voltage:** 120V

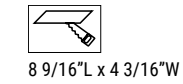
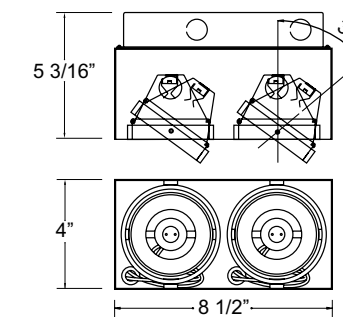
DIMENSIONS

- **Cut hole:** 8 9/16"L x 4 3/16"W
- **Fixture:** 8 1/2"L x 4"W x 5 3/16"H

CUSTOMIZATION

- For customization, please consult Eurofase

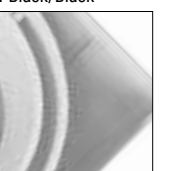
PRODUCT DIMENSION:



FINISHES:



-01 Black/Black

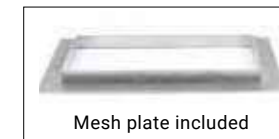


-02 White/White

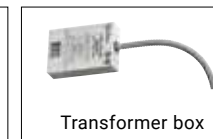
ORDERING GUIDE:

MODEL	FINISH
TE212	-01 Black/Black
TE212TR (With Transformer Box)	-02 White/White

EXAMPLE: TE212TR-01



Mesh plate included



Transformer box

*HOUSING OPTIONS (SOLD SEPARATELY):

Refer to page 181 for housing specification

24064-019 NEW CONSTRUCTION PLATE

30378-018 AIRTIGHT IC BOX

24084-017 INSULATED CEILING BOX



Cut Hole 8 9/16"L x 4 3/16"W
Dimension 14 3/4"L x 9 1/4"W x 1 3/8"H



Cut Hole 8 9/16"L x 4 3/16"W
Dimension 14 3/4"L x 9 1/4"W x 9 1/2"H

MULTIPLE RECESSED MR16



TE113
TE113TR (WITH TRANSFORMER BOX)



HOUSING

- 18 gauge powder coated steel housing
- Remodel housing complete with adjustable mounting clips suitable for 1/2" and 5/8" drywall
- New construction plate, insulated ceiling box and airtight IC box sold separately (refer to housing options)*

TRIM

- Extruded 6063 aluminum trim
- Powder coated finish
- Available in black, white and platinum

LAMPING

- 3 x 50W max. MR16 (not included)
- **Horizontal adjustment:** 0° - 35°

ELECTRICAL

- Integral electrical junction box with two 1/2" and four 3/4" knockouts
- Class 2 dimmable electronic low voltage transformer (TR version)
- Transformer box mates to fixture by 12" of flexible BX cable and has one 3/4" knockout for through branch circuit wiring
- Thermally protected
- **Input voltage:** 120V

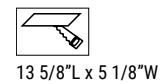
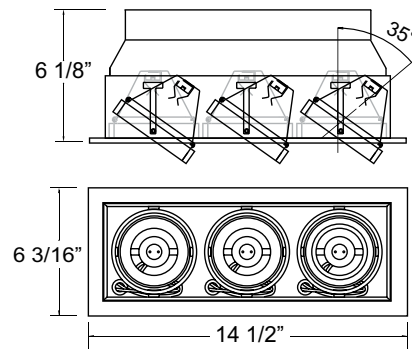
DIMENSIONS

- **Cut hole:** 13 5/8"L x 5 1/8"W
- **Fixture:** 14 1/2"L x 6 3/16"W x 6 1/8"H

CUSTOMIZATION

- For customization, please consult Eurofase

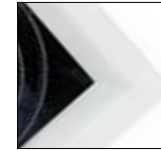
PRODUCT DIMENSION:



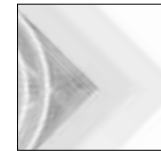
FINISHES:



-01 Black/Black



-02 White/Black



-22 White/White

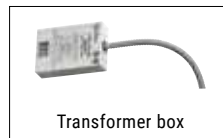


-0N Platinum/Black

ORDERING GUIDE:


MODEL	FINISH
TE113	-01 Black/Black
TE113TR (With Transformer Box)	-02 White/Black
	-22 White/White
	-0N Platinum/Black

EXAMPLE: TE113TR-01



***HOUSING OPTIONS (SOLD SEPARATELY):**

Refer to page 180 for housing specification

24053-013 NEW CONSTRUCTION PLATE

Cut Hole 13 5/8"L x 5 1/8"W
Dimension 22"L x 12 3/4"W x 1 3/8"H

30368-019 AIRTIGHT IC BOX
24073-011 INSULATED CEILING BOX

Cut Hole 13 5/8"L x 5 1/8"W
Dimension 22"L x 12 3/4"W x 11 1/2"H



TE213
TE213TR (WITH TRANSFORMER BOX)



HOUSING

- 18 gauge powder coated steel housing
- Remodel housing complete with adjustable mounting clips suitable for 1/2" and 5/8" drywall
- New construction plate, insulated ceiling box and airtight IC box sold separately (refer to housing options)*

MESH PLATE

- Steel mesh plate (included)
- Perforated perimeter allows mud to bond to mounting surface leaving a seamless finish in the ceiling

LAMPING

- 3 x 50W max. MR16 (not included)
- **Horizontal adjustment:** 0° - 35°

ELECTRICAL

- Integral electrical junction box with two 1/2" and four 3/4" knockouts
- Class 2 dimmable electronic low voltage transformer (TR version)
- Transformer box mates to fixture by 12" of flexible BX cable and has one 3/4" knockout for through branch circuit wiring
- Thermally protected
- **Input voltage:** 120V

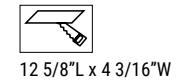
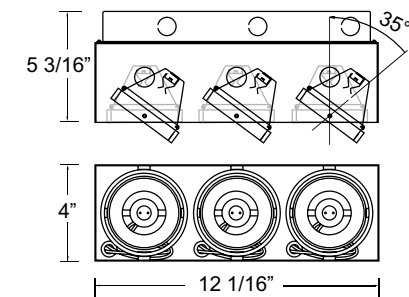
DIMENSIONS

- **Cut hole:** 12 5/8"L x 4 3/16"W
- **Fixture:** 12 1/16"L x 4"W x 5 3/16"H

CUSTOMIZATION

- For customization, please consult Eurofase

PRODUCT DIMENSION:



FINISHES:



-01 Black/Black

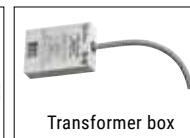
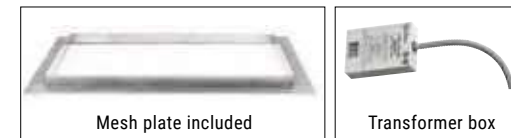


-02 White/White

ORDERING GUIDE:


MODEL	FINISH
TE213	-01 Black/Black
TE213TR (With Transformer Box)	-02 White/White

EXAMPLE: TE213TR-01



***HOUSING OPTIONS (SOLD SEPARATELY):**

Refer to page 181 for housing specification

24065-016 NEW CONSTRUCTION PLATE

Cut Hole 12 5/8"L x 4 3/16"W
Dimension 19 3/4"L x 8 3/4"W x 1 3/8"H

30380-011 AIRTIGHT IC BOX
24085-014 INSULATED CEILING BOX

Cut Hole 12 5/8"L x 4 3/16"W
Dimension 19 3/4"L x 8 3/4"W x 9 1/2"H

MULTIPLE RECESSED MR16



TRIM

TE114B
TE114BTR (WITH TRANSFORMER BOX)



HOUSING

- 18 gauge powder coated steel housing
- Remodel housing complete with adjustable mounting clips suitable for 1/2" and 5/8" drywall
- New construction plate, insulated ceiling box and airtight IC box sold separately (refer to housing options)*

TRIM

- Extruded 6063 aluminum trim
- Powder coated finish
- Available in black, white and platinum

LAMPING

- 4 x 50W max. MR16 (not included)
- **Horizontal adjustment:** 0° - 35°

ELECTRICAL

- Integral electrical junction box with four 3/4" knockouts
- Class 2 dimmable electronic low voltage transformer (TR version)
- Transformer box mates to fixture by 12" of flexible BX cable and has one 3/4" knockout for through branch circuit wiring
- Thermally protected
- **Input voltage:** 120V

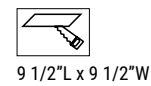
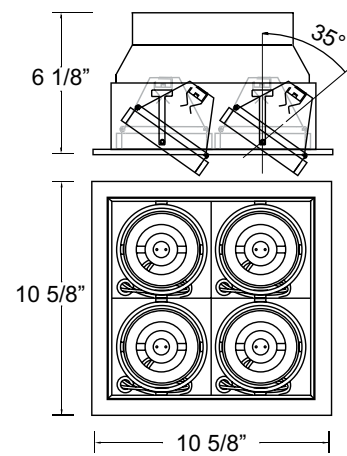
DIMENSIONS

- **Cut hole:** 9 1/2"L x 9 1/2"W
- **Fixture:** 10 5/8"L x 10 5/8"W x 6 1/8"H

CUSTOMIZATION

- For customization, please consult Eurofase

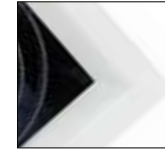
PRODUCT DIMENSION:



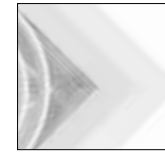
FINISHES:



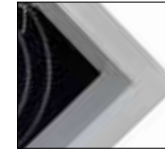
-01 Black/Black



-02 White/Black



-22 White/White

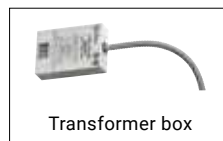


-0N Platinum/Black

ORDERING GUIDE:

MODEL	FINISH
TE114	-01 Black/Black
TE114BTR (With Transformer Box)	-02 White/Black
	-22 White/White
	-0N.Platinum/Black

EXAMPLE: TE114BTR-01



Transformer box

***HOUSING OPTIONS (SOLD SEPARATELY):**

Refer to page 180 for housing specification

24055-017 NEW CONSTRUCTION PLATE

30370-012 AIRTIGHT IC BOX

24075-015 INSULATED CEILING BOX



Cut Hole 9 1/2"L x 9 1/2"W
Dimension 24"L x 18"W x 1 3/8"H



Cut Hole 9 1/2"L x 9 1/2"W
Dimension 24"L x 18"W x 11 1/2"H



TRIMLESS

TE214B
TE214BTR (WITH TRANSFORMER BOX)



HOUSING

- 18 gauge powder coated steel housing
- Remodel housing complete with adjustable mounting clips suitable for 1/2" and 5/8" drywall
- New construction plate, insulated ceiling box and airtight IC box sold separately (refer to housing options)*

MESH PLATE

- Steel mesh plate (included)
- Perforated perimeter allows mud to bond to mounting surface leaving a seamless finish in the ceiling

LAMPING

- 4 x 50W max. MR16 (not included)
- **Horizontal adjustment:** 0° - 35°

ELECTRICAL

- Integral electrical junction box with four 3/4" knockouts
- Class 2 dimmable electronic low voltage transformer (TR version)
- Transformer box mates to fixture by 12" of flexible BX cable and has one 3/4" knockout for through branch circuit wiring
- Thermally protected
- **Input voltage:** 120V

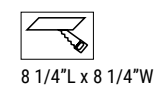
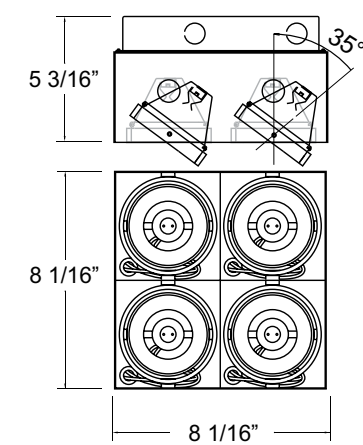
DIMENSIONS

- **Cut hole:** 8 1/4"L x 8 1/4"W
- **Fixture:** 8 1/16"L x 8 1/16"W x 5 3/16"H

CUSTOMIZATION

- For customization, please consult Eurofase

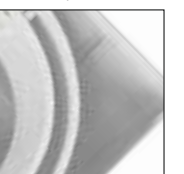
PRODUCT DIMENSION:



FINISHES:



-01 Black/Black

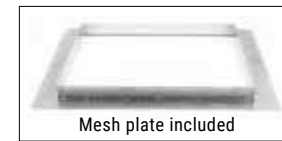


-02 White/Black

ORDERING GUIDE:

MODEL	FINISH
TE214B	-01 Black/Black
TE214BTR (With Transformer Box)	-02 White/White

EXAMPLE: TE214BTR-01



Mesh plate included



Transformer box

***HOUSING OPTIONS (SOLD SEPARATELY):**

Refer to page 181 for housing specification

24066-013 NEW CONSTRUCTION PLATE

30381-018 AIRTIGHT IC BOX

24086-028 INSULATED CEILING BOX



Cut Hole 8 1/4"L x 8 1/4"W
Dimension 20"L x 18"W x 1 3/8"H



Cut Hole 8 1/4"L x 8 1/4"W
Dimension 20"L x 18"W x 11 1/2"H

MULTIPLE RECESSED MR16



TE114A
TE114ATR (WITH TRANSFORMER BOX)



HOUSING

- 18 gauge powder coated steel housing
- Remodel housing complete with adjustable mounting clips suitable for 1/2" and 5/8" drywall
- New construction plate, insulated ceiling box and airtight IC box sold separately (refer to housing options)*

TRIM

- Extruded 6063 aluminum trim
- Powder coated finish
- Available in black, white and platinum

LAMPING

- 4 x 50W max. MR16 (not included)
- **Horizontal adjustment:** 0° - 35°

ELECTRICAL

- Integral electrical junction box with four 3/4" knockouts
- Class 2 dimmable electronic low voltage transformer (TR version)
- Transformer box mates to fixture by 12" of flexible BX cable and has one 3/4" knockout for through branch circuit wiring
- Thermally protected
- **Input voltage:** 120V

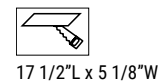
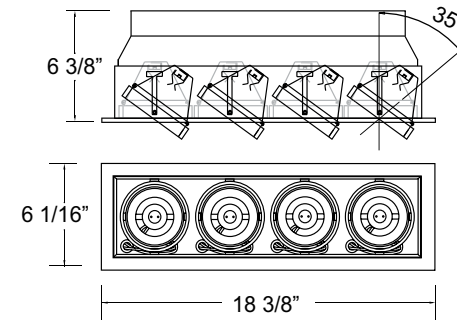
DIMENSIONS

- **Cut hole:** 17 1/2"L x 5 1/8"W
- **Fixture:** 18 3/8"L x 6 1/16"W x 6 3/8"H

CUSTOMIZATION

- For customization, please consult Eurofase

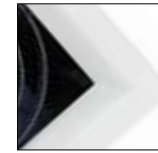
PRODUCT DIMENSION:



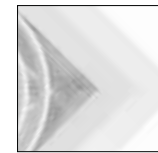
FINISHES:



-01 Black/Black



-02 White/Black



-22 White/White

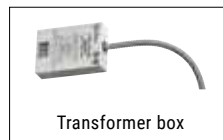


-0N Platinum/Black

ORDERING GUIDE:

MODEL	FINISH
TE114A	-01 Black/Black
TE114ATR (With Transformer Box)	-02 White/Black
	-22 White/White
	-0N Platinum/Black

EXAMPLE: TE114ATR-01



Transformer box

***HOUSING OPTIONS (SOLD SEPARATELY):**

Refer to page 180 for housing specification

24054-010 NEW CONSTRUCTION PLATE

30369-016 AIRTIGHT IC BOX

24074-018 INSULATED CEILING BOX



Cut Hole 17 1/2"L x 5 1/8"W
Dimension 26"L x 12 3/4"W x 1 3/8"H



Cut Hole 17 1/2"L x 5 1/8"W
Dimension 26"L x 12 3/4"W x 11 1/2"H



TE116A
TE116ATR (WITH TRANSFORMER BOX)



HOUSING

- 18 gauge powder coated steel housing
- Remodel housing complete with adjustable mounting clips suitable for 1/2" and 5/8" drywall
- New construction plate, insulated ceiling box and airtight IC box sold separately (refer to housing options)*

TRIM

- Extruded 6063 aluminum trim
- Powder coated finish
- Available in black, white and platinum

LAMPING

- 6 x 50W max. MR16 (not included)
- **Horizontal adjustment:** 0° - 35°

ELECTRICAL

- Integral electrical junction box with two 1/2" and four 3/4" knockouts
- Class 2 dimmable electronic low voltage transformer (TR version)
- Transformer box mates to fixture by 12" of flexible BX cable and has one 3/4" and four 3/4" knockouts for through branch circuit wiring
- Thermally protected
- **Input voltage:** 120V

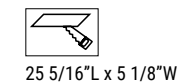
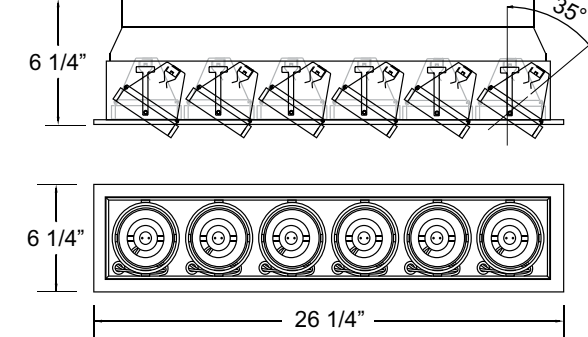
DIMENSIONS

- **Cut hole:** 25 5/16"L x 5 1/8"W
- **Fixture:** 26 1/4"L x 6 1/4"W x 6 1/4"H

CUSTOMIZATION

- For customization, please consult Eurofase

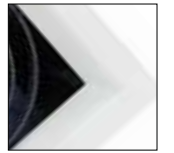
PRODUCT DIMENSION:



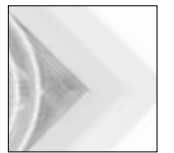
FINISHES:



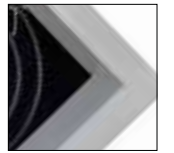
-01 Black/Black



-02 White/Black



-22 White/White

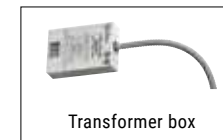


-0N Platinum/Black

ORDERING GUIDE:

MODEL	FINISH
TE116A	-01 Black/Black
TE116ATR (With Transformer Box)	-02 White/Black
	-22 White/White
	-0N Platinum/Black

EXAMPLE: TE116ATR-01



Transformer box

***HOUSING OPTIONS (SOLD SEPARATELY):**

Refer to page 180 for housing specification

24056-014 NEW CONSTRUCTION PLATE

30371-019 AIRTIGHT IC BOX

24076-012 INSULATED CEILING BOX



Cut Hole 25 5/16"L x 5 1/8"W
Dimension 37 1/2"L x 12 3/4"W x 1 3/8"H



Cut Hole 25 5/16"L x 5 1/8"W
Dimension 37 1/2"L x 12 3/4"W x 11 1/2"H

MULTIPLE RECESSED MR16





MULTIPLE RECESSED PAR20

A compact industry standard, PAR20's remain popular as a high output, compact option. With most new PAR20's utilizing halogen or LED technology, the lifespan and color rendering quality has never been better.

PAR20


MULTIPLE RECESSED PAR20



*LED COMPATIBLE

TRIM

TE161



PG 114

TE162



PG 115

TE163



PG 116

TE164B



PG 117

TE164A



PG 118

TE166A



PG 119

MULTIPLE RECESSED PAR20



TRIM

TE161

HOUSING

- 18 gauge powder coated steel housing
- Remodel housing complete with adjustable mounting clips suitable for 1/2" and 5/8" drywall
- New construction plate, insulated ceiling box and airtight IC box sold separately (refer to housing options)*

TRIM

- Extruded 6063 aluminum trim
- Powder coated finish
- Available in black, white and platinum

LAMPING

- 1 x 50W max. PAR20 (not included)
- **Horizontal adjustment:** 0° - 35°

ELECTRICAL

- Integral electrical junction box
- Junction box has two 1/2" and four 3/4" knockouts for through branch circuit wiring
- Thermally protected
- **Input voltage:** 120V

DIMENSIONS

- **Cut hole:** 5 1/8"L x 5 1/8"W
- **Fixture:** 6 3/16"L x 6 3/16"W x 6 3/16"H

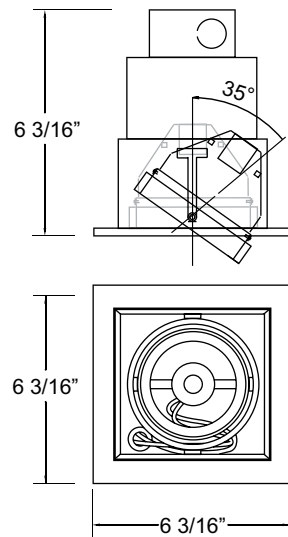
CUSTOMIZATION

- For customization, please consult Eurofase



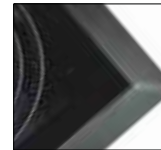
*LED COMPATIBLE

PRODUCT DIMENSION:



5 1/8"L x 5 1/8"W

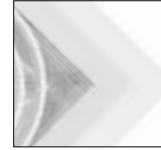
FINISHES:



-01 Black/Black



-02 White/Black



-22 White/White



-0N Platinum/Black

ORDERING GUIDE:

MODEL	FINISH
TE161	-01 Black/Black
	-02 White/Black
	-22 White/White
	-0N Platinum/Black

EXAMPLE: TE161-01

*HOUSING OPTIONS (SOLD SEPARATELY):

Refer to page 182 for housing specification

24051-019 NEW CONSTRUCTION PLATE

30366-015 AIRTIGHT IC BOX

24071-017 INSULATED CEILING BOX



Cut Hole 5 1/8"L x 5 1/8"W
Dimension 11 1/4"L x 12 3/4"W x 1 3/8"H



Cut Hole 5 1/8"L x 5 1/8"W
Dimension 11 1/4"L x 12 3/4"W x 11 1/2"H



TRIM

TE162

HOUSING

- 18 gauge powder coated steel housing
- Remodel housing complete with adjustable mounting clips suitable for 1/2" and 5/8" drywall
- New construction plate, insulated ceiling box and airtight IC box sold separately (refer to housing options)*

TRIM

- Extruded 6063 aluminum trim
- Powder coated finish
- Available in black, white and platinum

LAMPING

- 2 x 50W max. PAR20 (not included)
- **Horizontal adjustment:** 0° - 35°

ELECTRICAL

- Integral electrical junction box
- Junction box has two 1/2" and four 3/4" knockouts for through branch circuit wiring
- Thermally protected
- **Input voltage:** 120V

DIMENSIONS

- **Cut hole:** 9 1/2"L x 5 1/8"W
- **Fixture:** 10 1/2"L x 6 1/8"W x 6 1/4"H

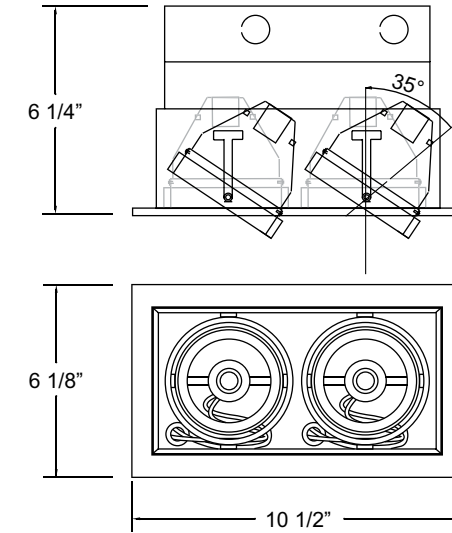
CUSTOMIZATION

- For customization, please consult Eurofase



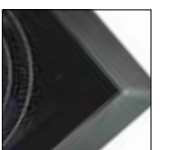
*LED COMPATIBLE

PRODUCT DIMENSION:



9 1/2"L x 5 1/8"W

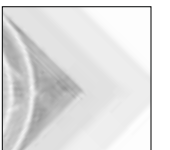
FINISHES:



-01 Black/Black



-02 White/Black



-22 White/White



-0N Platinum/Black

ORDERING GUIDE:

MODEL	FINISH
TE162	-01 Black/Black
	-02 White/Black
	-22 White/White
	-0N Platinum/Black

EXAMPLE: TE162-01

*HOUSING OPTIONS (SOLD SEPARATELY):

Refer to page 182 for housing specification

24052-016 NEW CONSTRUCTION PLATE

30367-012 AIRTIGHT IC BOX

24072-014 INSULATED CEILING BOX



Cut Hole 9 1/2"L x 5 1/8"W
Dimension 17"L x 12 3/4"W x 1 3/8"H



Cut Hole 9 1/2"L x 5 1/8"W
Dimension 17"L x 12 3/4"W x 11 1/2"H

MULTIPLE RECESSED PAR20



TE163

HOUSING

- 18 gauge powder coated steel housing
- Remodel housing complete with adjustable mounting clips suitable for 1/2" and 5/8" drywall
- New construction plate, insulated ceiling box and airtight IC box sold separately (refer to housing options)*

TRIM

- Extruded 6063 aluminum trim
- Powder coated finish
- Available in black, white and platinum

LAMPING

- 3 x 50W max. PAR20 (not included)
- **Horizontal adjustment:** 0° - 35°

ELECTRICAL

- Integral electrical junction box
- Junction box has two 1/2" and four 3/4" knockouts for through branch circuit wiring
- Thermally protected
- **Input voltage:** 120V

DIMENSIONS

- **Cut hole:** 13 1/2"L x 5 3/16"W
- **Fixture:** 14 7/16"L x 6 3/16"W x 6 1/4"H

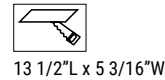
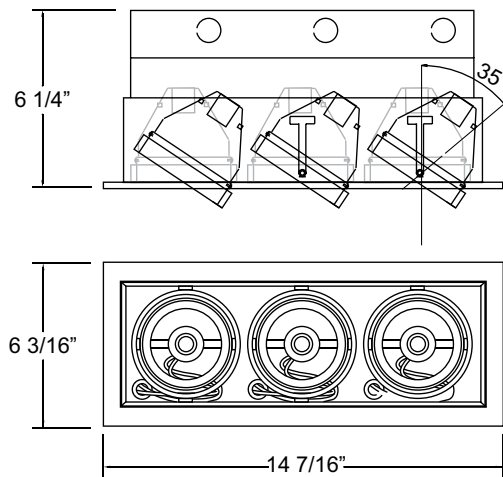
CUSTOMIZATION

- For customization, please consult Eurofase

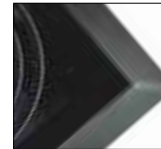


*LED COMPATIBLE

PRODUCT DIMENSION:



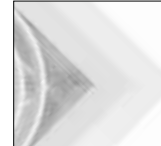
FINISHES:



-01 Black/Black



-02 White/Black



-22 White/White



-0N Platinum/Black

ORDERING GUIDE:

MODEL	FINISH
TE163	-01 Black/Black
	-02 White/Black
	-22 White/White
	-0N Platinum/Black

EXAMPLE: TE163-01

*HOUSING OPTIONS (SOLD SEPARATELY):

Refer to page 182 for housing specification

24053-013 NEW CONSTRUCTION PLATE

30368-019 AIRTIGHT IC BOX

24073-011 INSULATED CEILING BOX



Cut Hole 13 1/2"L x 5 3/16"W
Dimension 22"L x 12 3/4"W x 1 3/8"H



Cut Hole 13 1/2"L x 5 3/8"W
Dimension 22"L x 12 3/4"W x 11 1/2"H



TE164B

HOUSING

- 18 gauge powder coated steel housing
- Remodel housing complete with adjustable mounting clips suitable for 1/2" and 5/8" drywall
- New construction plate, insulated ceiling box and airtight IC box sold separately (refer to housing options)*

TRIM

- Extruded 6063 aluminum trim
- Powder coated finish
- Available in black, white and platinum

LAMPING

- 4 x 50W max. PAR20 (not included)
- **Horizontal adjustment:** 0° - 35°

ELECTRICAL

- Integral electrical junction box
- Junction box has two 1/2" and four 3/4" knockouts for through branch circuit wiring
- Thermally protected
- **Input voltage:** 120V

DIMENSIONS

- **Cut hole:** 9 1/2"L x 9 1/2"W
- **Fixture:** 10 1/2"L x 10 1/2"W x 6"H

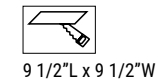
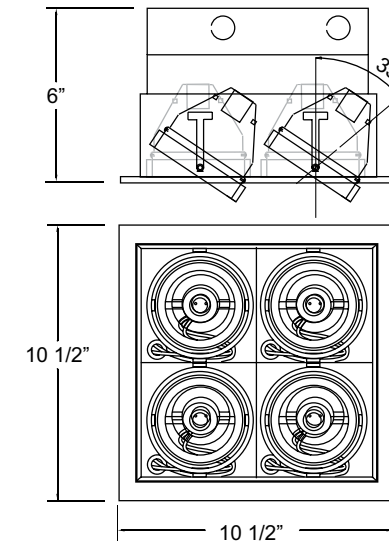
CUSTOMIZATION

- For customization, please consult Eurofase



*LED COMPATIBLE

PRODUCT DIMENSION:



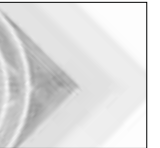
FINISHES:



-01 Black/Black



-02 White/Black



-22 White/White



-0N Platinum/Black

ORDERING GUIDE:

MODEL	FINISH
TE164B	-01 Black/Black
	-02 White/Black
	-22 White/White
	-0N Platinum/Black

EXAMPLE: TE164B-01

*HOUSING OPTIONS (SOLD SEPARATELY):

Refer to page 182 for housing specification

24055-017 NEW CONSTRUCTION PLATE

30370-012 AIRTIGHT IC BOX

24075-015 INSULATED CEILING BOX



Cut Hole 9 1/2"L x 9 1/2"W
Dimension 24"L x 18"W x 1 3/8"H



Cut Hole 9 1/2"L x 9 1/2"W
Dimension 24"L x 18"W x 11 1/2"H

MULTIPLE RECESSED PAR20



TRIM

TE164A

HOUSING

- 18 gauge powder coated steel housing
- Remodel housing complete with adjustable mounting clips suitable for 1/2" and 5/8" drywall
- New construction plate, insulated ceiling box and airtight IC box sold separately (refer to housing options)*

TRIM

- Extruded 6063 aluminum trim
- Powder coated finish
- Available in black, white and platinum

LAMPING

- 4 x 50W max. PAR20 (not included)
- **Horizontal adjustment:** 0° - 35°

ELECTRICAL

- Integral electrical junction box
- Junction box has two 1/2" and four 3/4" knockouts for through branch circuit wiring
- Thermally protected
- **Input voltage:** 120V

DIMENSIONS

- **Cut hole:** 17 1/2"L x 5 1/8"W
- **Fixture:** 18 3/8"L x 6 1/4"W x 6 3/8"H

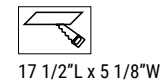
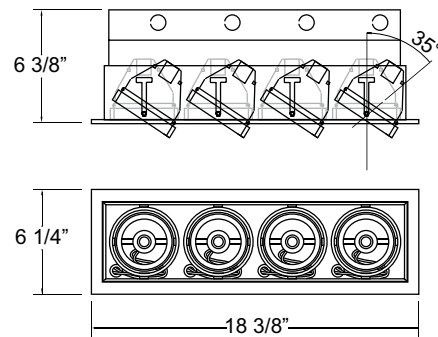
CUSTOMIZATION

- For customization, please consult Eurofase



*LED COMPATIBLE

PRODUCT DIMENSION:



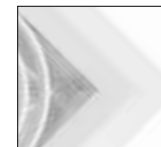
FINISHES:



-01 Black/Black



-02 White/Black



-22 White/White



-0N Platinum/Black

ORDERING GUIDE:

MODEL	FINISH
TE164A	-01 Black/Black
	-02 White/Black
	-22 White/White
	-0N Platinum/Black

EXAMPLE: TE164A-01

*HOUSING OPTIONS (SOLD SEPARATELY):

Refer to page 182 for housing specification

24054-010 NEW CONSTRUCTION PLATE

30369-016 AIRTIGHT IC BOX

24074-018 INSULATED CEILING BOX



Cut Hole 17 1/2"L x 5 1/8"W
Dimension 26"L x 12 3/4"W x 1 3/8"H



Cut Hole 17 1/2"L x 5 1/8"W
Dimension 26"L x 12 3/4"W x 11 1/2"H



TRIM

TE166A

HOUSING

- 18 gauge powder coated steel housing
- Remodel housing complete with adjustable mounting clips suitable for 1/2" and 5/8" drywall
- New construction plate, insulated ceiling box and airtight IC box sold separately (refer to housing options)*

TRIM

- Extruded 6063 aluminum trim
- Powder coated finish
- Available in black, white and platinum

LAMPING

- 6 x 50W max. PAR20 (not included)
- **Horizontal adjustment:** 0° - 35°

ELECTRICAL

- Integral electrical junction box
- Junction box has two 1/2" and four 3/4" knockouts for through branch circuit wiring
- Thermally protected
- **Input voltage:** 120V

DIMENSIONS

- **Cut hole:** 25 5/16"L x 5 1/8"W
- **Fixture:** 26 1/4"L x 6 1/8"W x 6 5/16"H

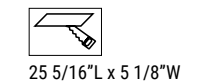
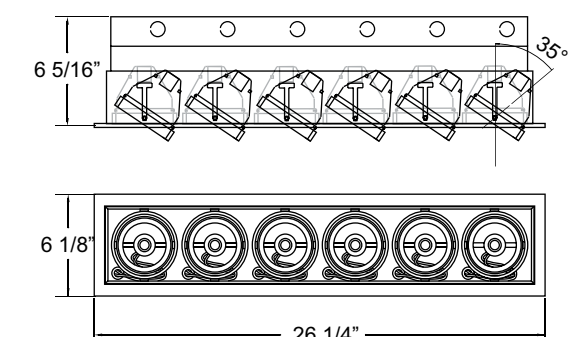
CUSTOMIZATION

- For customization, please consult Eurofase



*LED COMPATIBLE

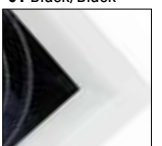
PRODUCT DIMENSION:



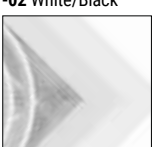
FINISHES:



-01 Black/Black



-02 White/Black



-22 White/White



-0N Platinum/Black

ORDERING GUIDE:

MODEL	FINISH
TE166A	-01 Black/Black
	-02 White/Black
	-22 White/White
	-0N Platinum/Black

EXAMPLE: TE166A-01

*HOUSING OPTIONS (SOLD SEPARATELY):

Refer to page 182 for housing specification

24056-014 NEW CONSTRUCTION PLATE

30371-019 AIRTIGHT IC BOX

24076-012 INSULATED CEILING BOX



Cut Hole 25 5/16"L x 5 1/8"W
Dimension 37 1/2"L x 12 3/4"W x 1 3/8"H



Cut Hole 25 5/16"L x 5 1/8"W
Dimension 37 1/2"L x 12 3/4"W x 11 1/2"H

MULTIPLE RECESSED PAR30

The workhorse of multiple recessed lights are ideal for retail stores, high ceiling office spaces, conference centers and the hotel and hospitality market.



PAR30 MULTIPLE RECESSED PAR30



TRIM	TRIMLESS
TE131  PG 122	TE221  PG 123
TE132  PG 124	TE222  PG 125
TE133  PG 126	TE223  PG 127
TE134B  PG 128	TE224B  PG 129
TE134A  PG 130	
TE136A  PG 131	

MULTIPLE RECESSED PAR30

MULTIPLE RECESSED PAR30



TRIM

TE131

HOUSING

- 18 gauge powder coated steel housing
- Remodel housing complete with adjustable mounting clips suitable for 1/2" and 5/8" drywall
- New construction plate, insulated ceiling box and airtight IC box sold separately (refer to housing options)*

TRIM

- Extruded 6063 aluminum trim
- Powder coated finish
- Available in black, white and platinum

LAMPING

- 1 x 75W max. PAR30 (not included)
- **Horizontal adjustment:** 0° - 35°
- Adjustable socket holder accommodates both long and short neck lamping

ELECTRICAL

- Integral electrical junction box
- Junction box has two 1/2" and four 3/4" knockouts for through branch circuit wiring
- Thermally protected
- **Input voltage:** 120V

DIMENSIONS

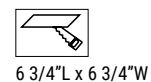
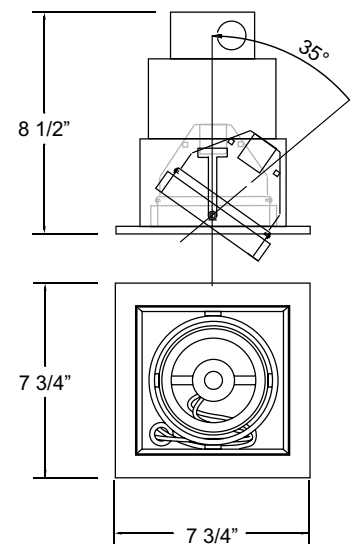
- **Cut hole:** 6 3/4"L x 6 3/4"W
- **Fixture:** 7 3/4"L x 7 3/4"W x 8 1/2"H

CUSTOMIZATION

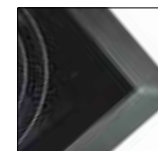
- For customization, please consult Eurofase



PRODUCT DIMENSION:



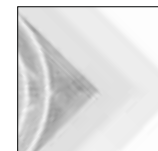
FINISHES:



-01 Black/Black



-02 White/Black



-22 White/White



-0N Platinum/Black

ORDERING GUIDE:

MODEL	FINISH
TE131	-01 Black/Black
	-02 White/Black
	-22 White/White
	-0N Platinum/Black

EXAMPLE: TE131-01

*HOUSING OPTIONS (SOLD SEPARATELY):

Refer to page 184 for housing specification

24057-011 NEW CONSTRUCTION PLATE

30372-016 AIRTIGHT IC BOX

24077-019 INSULATED CEILING BOX



Cut Hole 6 3/4"L x 6 3/4"W
Dimension 12 3/4"L x 12 3/4"W x 1 3/8"H



Cut Hole 6 3/4"L x 6 3/4"W
Dimension 12 3/4"L x 12 3/4"W x 11 1/2"H



TRIMLESS

TE221

HOUSING

- 18 gauge powder coated steel housing
- Remodel housing complete with adjustable mounting clips suitable for 1/2" and 5/8" drywall
- New construction plate, insulated ceiling box and airtight IC box sold separately (refer to housing options)*

MESH PLATE

- Steel mesh plate (included)
- Perforated perimeter allows mud to bond to mounting surface leaving a seamless finish in the ceiling

LAMPING

- 1 x 75W max. PAR30 (not included)
- **Horizontal adjustment:** 0° - 35°
- Adjustable socket holder accommodates both long and short neck lamping

ELECTRICAL

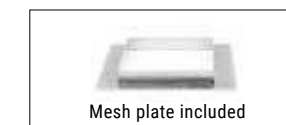
- Integral electrical junction box
- Junction box has two 1/2" and four 3/4" knockouts for through branch circuit wiring
- Thermally protected
- **Input voltage:** 120V

DIMENSIONS

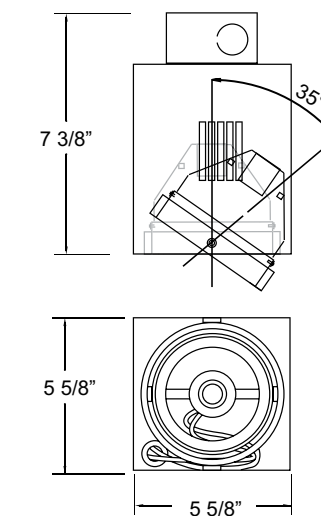
- **Cut hole:** 6"L x 6"W
- **Fixture:** 5 5/8"L x 5 5/8"W x 7 3/8"H

CUSTOMIZATION

- For customization, please consult Eurofase



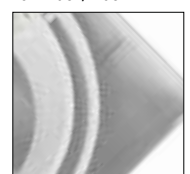
PRODUCT DIMENSION:



FINISHES:



-01 Black/Black



-02 White/White

ORDERING GUIDE:

MODEL	FINISH
TE221	-01 Black/Black
	-02 White/White

EXAMPLE: TE221-01

*HOUSING OPTIONS (SOLD SEPARATELY):

Refer to page 185 for housing specification

31421-010 NEW CONSTRUCTION PLATE

31423-014 AIRTIGHT IC BOX

31422-017 INSULATED CEILING BOX



Cut Hole 6"L x 6"W
Dimension 12 3/4"L x 12 3/4"W x 1 3/8"H



Cut Hole 6"L x 6"W
Dimension 12 3/4"L x 12 3/4"W x 11 1/2"H

MULTIPLE RECESSED PAR30



TRIM

TE132

HOUSING

- 18 gauge powder coated steel housing
- Remodel housing complete with adjustable mounting clips suitable for 1/2" and 5/8" drywall
- New construction plate, insulated ceiling box and airtight IC box sold separately (refer to housing options)*

TRIM

- Extruded 6063 aluminum trim
- Powder coated finish
- Available in black, white and platinum

LAMPING

- 2 x 75W max. PAR30 (not included)
- **Horizontal adjustment:** 0° - 35°
- Adjustable socket holder accommodates both long and short neck lamping

ELECTRICAL

- Integral electrical junction box
- Junction box has two 1/2" and four 3/4" knockouts for through branch circuit wiring
- Thermally protected
- **Input voltage:** 120V

DIMENSIONS

- **Cut hole:** 12 3/4"L x 6 3/4"W
- **Fixture:** 13 1/2"L x 7 3/4"W x 8 1/2"H

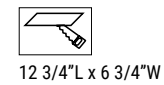
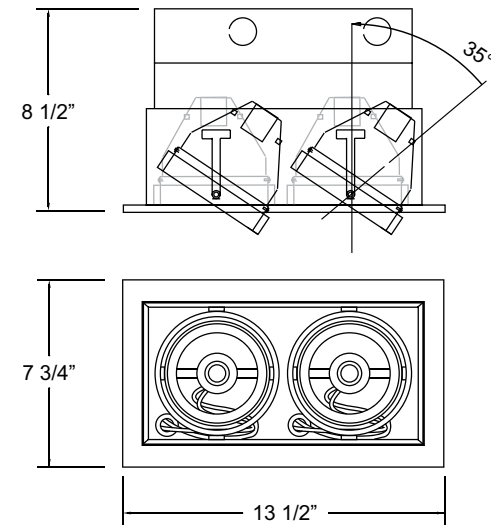
CUSTOMIZATION

- For customization, please consult Eurofase



*LED COMPATIBLE

PRODUCT DIMENSION:



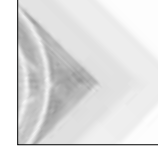
FINISHES:



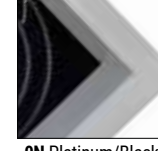
-01 Black/Black



-02 White/Black



-22 White/White



-0N Platinum/Black

ORDERING GUIDE:

MODEL	FINISH
TE132	-01 Black/Black
	-02 White/Black
	-22 White/White
	-0N Platinum/Black

EXAMPLE: TE132-01

*HOUSING OPTIONS (SOLD SEPARATELY):

Refer to page 184 for housing specification

24058-018 NEW CONSTRUCTION PLATE

30373-013 AIRTIGHT IC BOX

24078-016 INSULATED CEILING BOX



Cut Hole 12 3/4"L x 6 3/4"W
Dimension 20 1/4"L x 12 3/4"W x 1 3/8"H



Cut Hole 12 3/4"L x 6 3/4"W
Dimension 20 1/4"L x 12 3/4"W x 11 1/2"H



TRIMLESS

TE222

HOUSING

- 18 gauge powder coated steel housing
- Remodel housing complete with adjustable mounting clips suitable for 1/2" and 5/8" drywall
- New construction plate, insulated ceiling box and airtight IC box sold separately (refer to housing options)*

MESH PLATE

- Steel mesh plate (included)
- Perforated perimeter allows mud to bond to mounting surface leaving a seamless finish in the ceiling

LAMPING

- 2 x 75W max. PAR30 (not included)
- **Horizontal adjustment:** 0° - 35°
- Adjustable socket holder accommodates both long and short neck lamping

ELECTRICAL

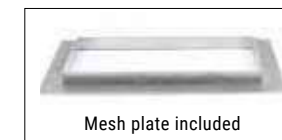
- Integral electrical junction box
- Junction box has two 1/2" and four 3/4" knockouts for through branch circuit wiring
- Thermally protected
- **Input voltage:** 120V

DIMENSIONS

- **Cut hole:** 11 9/16"L x 6"W
- **Fixture:** 11 1/4"L x 5 9/16"W x 7 1/2"H

CUSTOMIZATION

- For customization, please consult Eurofase

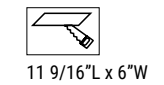
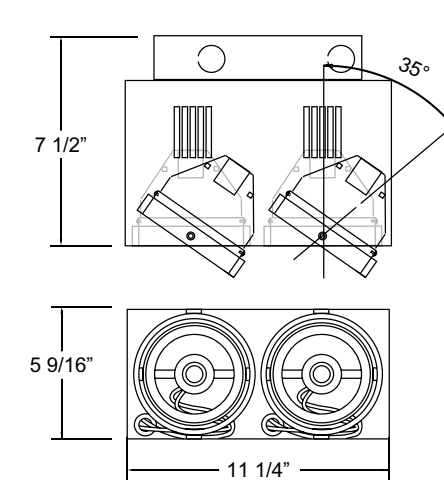


Mesh plate included



*LED COMPATIBLE

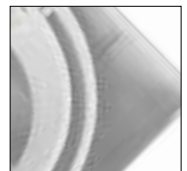
PRODUCT DIMENSION:



FINISHES:



-01 Black/Black



-02 White/White

ORDERING GUIDE:

MODEL	FINISH
TE222	-01 Black/Black
	-02 White/Black

EXAMPLE: TE222-01

*HOUSING OPTIONS (SOLD SEPARATELY):

Refer to page 185 for housing specification

31424-011 NEW CONSTRUCTION PLATE

31426-015 AIRTIGHT IC BOX

31425-018 INSULATED CEILING BOX



Cut Hole 11 9/16"L x 6"W
Dimension 18 1/4"L x 12 3/4"W x 1 3/8"H



Cut Hole 11 9/16"L x 6"W
Dimension 18 1/4"L x 12 3/4"W x 11 1/2"H

MULTIPLE RECESSED PAR30



TRIM

TE133

HOUSING

- 18 gauge powder coated steel housing
- Remodel housing complete with adjustable mounting clips suitable for 1/2" and 5/8" drywall
- New construction plate, insulated ceiling box and airtight IC box sold separately (refer to housing options)*

TRIM

- Extruded 6063 aluminum trim
- Powder coated finish
- Available in black, white and platinum

LAMPING

- 3 x 75W max. PAR30 (not included)
- **Horizontal adjustment:** 0° - 35°
- Adjustable socket holder accommodates both long and short neck lamping

ELECTRICAL

- Integral electrical junction box
- Junction box has two 1/2" and four 3/4" knockouts for through branch circuit wiring
- Thermally protected
- **Input voltage:** 120V

DIMENSIONS

- **Cut hole:** 18"L x 6 3/4"W
- **Fixture:** 18 7/8"L x 7 3/4"W x 8 1/2"H

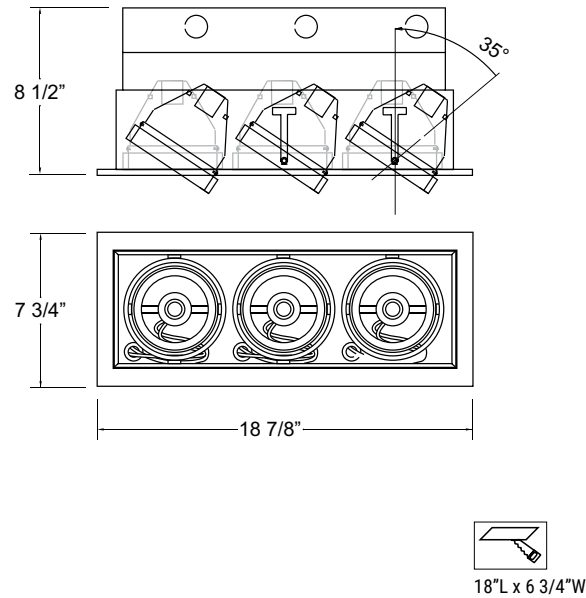
CUSTOMIZATION

- For customization, please consult Eurofase



*LED COMPATIBLE

PRODUCT DIMENSION:



FINISHES:



-01 Black/Black



-02 White/Black



-22 White/White



-0N Platinum/Black

ORDERING GUIDE:

MODEL	FINISH
TE133	-01 Black/Black
	-02 White/Black
	-22 White/White
	-0N Platinum/Black

EXAMPLE: TE133-01



TRIMLESS

TE223

HOUSING

- 18 gauge powder coated steel housing
- Remodel housing complete with adjustable mounting clips suitable for 1/2" and 5/8" drywall
- New construction plate, insulated ceiling box and airtight IC box sold separately (refer to housing options)*

MESH PLATE

- Steel mesh plate (included)
- Perforated perimeter allows mud to bond to mounting surface leaving a seamless finish in the ceiling

LAMPING

- 3 x 75W max. PAR30 (not included)
- **Horizontal adjustment:** 0° - 35°
- Adjustable socket holder accommodates both long and short neck lamping

ELECTRICAL

- Integral electrical junction box
- Junction box has two 1/2" and four 3/4" knockouts for through branch circuit wiring
- Thermally protected
- **Input voltage:** 120V

DIMENSIONS

- **Cut hole:** 17"L x 6"W
- **Fixture:** 16 11/16"L x 5 9/16"W x 7 3/8"H

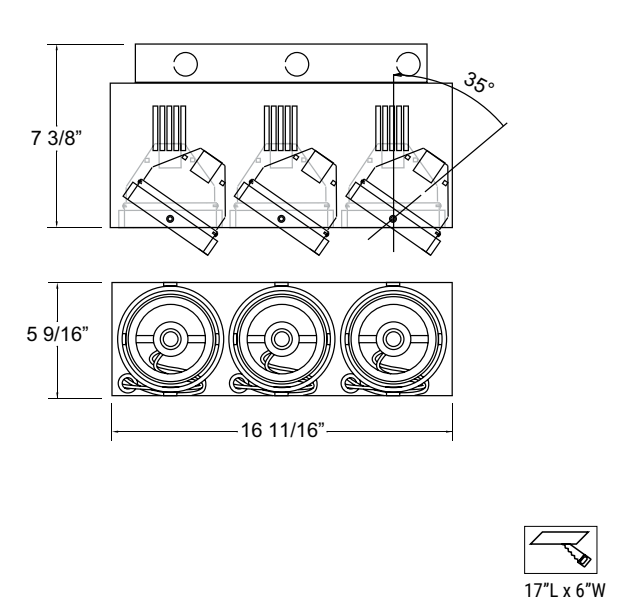
CUSTOMIZATION

- For customization, please consult Eurofase



*LED COMPATIBLE

PRODUCT DIMENSION:



FINISHES:



-01 Black/Black



-02 White/White

ORDERING GUIDE:

MODEL	FINISH
TE223	-01 Black/Black
	-02 White/White

EXAMPLE: TE223-01

*HOUSING OPTIONS (SOLD SEPARATELY):

Refer to page 184 for housing specification

24059-015 NEW CONSTRUCTION PLATE

30374-010 AIRTIGHT IC BOX

24079-013 INSULATED CEILING BOX



Cut Hole 18"L x 6 3/4"W
Dimension 27 1/4"L x 12 3/4"W x 1 3/8"H



Cut Hole 18"L x 6 3/4"W
Dimension 27 1/4"L x 12 3/4"W x 11 1/2"H

*HOUSING OPTIONS (SOLD SEPARATELY):

Refer to page 185 for housing specification

31427-015 NEW CONSTRUCTION PLATE

31429-016 AIRTIGHT IC BOX

31428-019 INSULATED CEILING BOX



Cut Hole 17"L x 6"W
Dimension 24"L x 12 3/4"W x 1 3/8"H



Cut Hole 17"L x 6"W
Dimension 24"L x 12 3/4"W x 11 1/2"H

MULTIPLE RECESSED PAR30



TRIM

TE134B



HOUSING

- 18 gauge powder coated steel housing
- Remodel housing complete with adjustable mounting clips suitable for 1/2" and 5/8" drywall
- New construction plate, insulated ceiling box and airtight IC box sold separately (refer to housing options)*

TRIM

- Extruded 6063 aluminum trim
- Powder coated finish
- Available in black, white and platinum

LAMPING

- 4 x 75W max. PAR30 (not included)
- **Horizontal adjustment:** 0° - 35°
- Adjustable socket holder accommodates both long and short neck lamping

ELECTRICAL

- Integral electrical junction box
- Junction box has two 1/2" and four 3/4" knockouts for through branch circuit wiring
- Thermally protected
- **Input voltage:** 120V

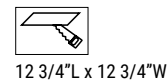
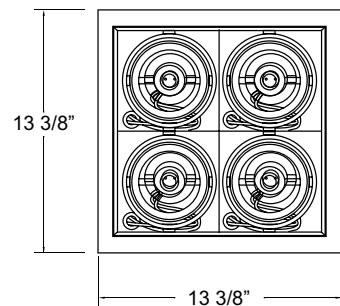
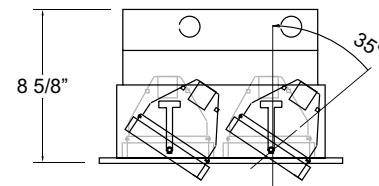
DIMENSIONS

- **Cut hole:** 12 3/4"L x 12 3/4"W
- **Fixture:** 13 3/8"L x 13 3/8"W x 8 5/8"H

CUSTOMIZATION

- For customization, please consult Eurofase

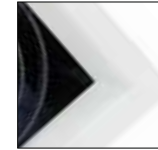
PRODUCT DIMENSION:



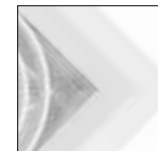
FINISHES:



-01 Black/Black



-02 White/Black



-22 White/White



-0N Platinum/Black

ORDERING GUIDE:

MODEL	FINISH
TE134B	-01 Black/Black
	-02 White/Black
	-22 White/White
	-0N Platinum/Black

EXAMPLE: TE134B-01

*HOUSING OPTIONS (SOLD SEPARATELY):

Refer to page 184 for housing specification

24061-018 NEW CONSTRUCTION PLATE

30376-014 AIRTIGHT IC BOX

24081-016 INSULATED CEILING BOX



Cut Hole 12 3/4"L x 12 3/4"W
Dimension 20"L x 18"W x 1 3/8"H



Cut Hole 12 3/4"L x 12 3/4"W
Dimension 20"L x 18"W x 11 1/2"H



TRIMLESS

TE224B



HOUSING

- 18 gauge powder coated steel housing
- Remodel housing complete with adjustable mounting clips suitable for 1/2" and 5/8" drywall
- New construction plate, insulated ceiling box and airtight IC box sold separately (refer to housing options)*

MESH PLATE

- Steel mesh plate (included)
- Perforated perimeter allows mud to bond to mounting surface leaving a seamless finish in the ceiling

LAMPING

- 4 x 75W max. PAR30 (not included)
- **Horizontal adjustment:** 0° - 35°
- Adjustable socket holder accommodates both long and short neck lamping

ELECTRICAL

- Integral electrical junction box
- Junction box has two 1/2" and four 3/4" knockouts for through branch circuit wiring
- Thermally protected
- **Input voltage:** 120V

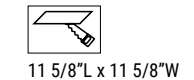
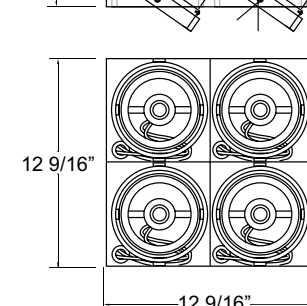
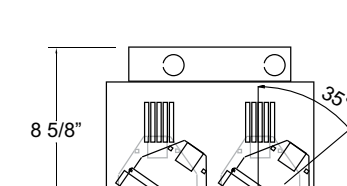
DIMENSIONS

- **Cut hole:** 11 5/8"L x 11 5/8"W
- **Fixture:** 12 9/16"L x 12 9/16"W x 8 5/8"H

CUSTOMIZATION

- For customization, please consult Eurofase

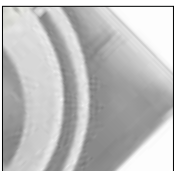
PRODUCT DIMENSION:



FINISHES:



-01 Black/Black

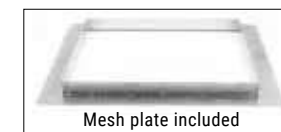


-02 White/White

ORDERING GUIDE:

MODEL	FINISH
TE224B	-01 Black/Black
	-02 White/White

EXAMPLE: TE224B-01



*HOUSING OPTIONS (SOLD SEPARATELY):

Refer to page 185 for housing specification

31430-012 NEW CONSTRUCTION PLATE

31432-016 AIRTIGHT IC BOX

31431-019 INSULATED CEILING BOX



Cut Hole 11 5/8"L x 11 5/8"W
Dimension 20"L x 18"W x 1 3/8"H



Cut Hole 11 5/8"L x 11 5/8"W
Dimension 20"L x 18"W x 11 1/2"H

MULTIPLE RECESSED PAR30



TRIM

TE134A

HOUSING

- 18 gauge powder coated steel housing
- Remodel housing complete with adjustable mounting clips suitable for 1/2" and 5/8" drywall
- New construction plate, insulated ceiling box and airtight IC box sold separately (refer to housing options)*

TRIM

- Extruded 6063 aluminum trim
- Powder coated finish
- Available in black, white and platinum

LAMPING

- 4 x 75W max. PAR30 (not included)
- Horizontal adjustment: 0° - 35°
- Adjustable socket holder accommodates both long and short neck lamping

ELECTRICAL

- Integral electrical junction box
- Junction box has two 1/2" and four 3/4" knockouts for through branch circuit wiring
- Thermally protected
- Input voltage: 120V

DIMENSIONS

- Cut hole: 23 1/2"L x 6 3/4"W
- Fixture: 24 1/4"L x 7 3/4"W x 8 3/8"H

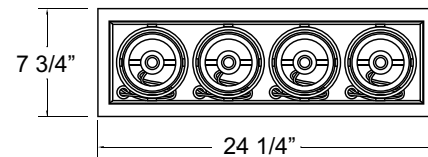
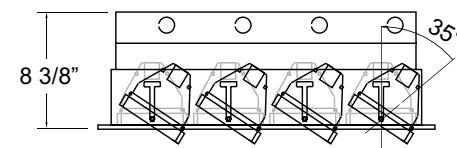
CUSTOMIZATION

- For customization, please consult Eurofase



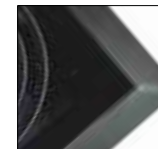
*LED COMPATIBLE

PRODUCT DIMENSION:



23 1/2"L x 6 3/4"W

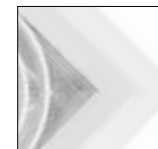
FINISHES:



-01 Black/Black



-02 White/Black



-22 White/White



-0N Platinum/Black

ORDERING GUIDE:

MODEL	FINISH
TE134A	-01 Black/Black
	-02 White/Black
	-22 White/White
	-0N Platinum/Black

EXAMPLE: TE134A-01

*HOUSING OPTIONS (SOLD SEPARATELY):

Refer to page 184 for housing specification

24060-011 NEW CONSTRUCTION PLATE

30375-017 AIRTIGHT IC BOX

24080-019 INSULATED CEILING BOX



Cut Hole 23 1/2"L x 6 3/4"W
Dimension 24"L x 12 3/4"W x 1 3/8"H



Cut Hole 23 1/2"L x 6 3/4"W
Dimension 24"L x 12 3/4"W x 11 1/2"H



TRIM

TE136A

HOUSING

- 18 gauge powder coated steel housing
- Remodel housing complete with adjustable mounting clips suitable for 1/2" and 5/8" drywall
- New construction plate, insulated ceiling box and airtight IC box sold separately (refer to housing options)*

TRIM

- Extruded 6063 aluminum trim
- Powder coated finish
- Available in black, white and platinum

LAMPING

- 6 x 75W max. PAR30 (not included)
- Horizontal adjustment: 0° - 35°
- Adjustable socket holder accommodates both long and short neck lamping

ELECTRICAL

- Integral electrical junction box
- Junction box has two 1/2" and four 3/4" knockouts for through branch circuit wiring
- Thermally protected
- Input voltage: 120V

DIMENSIONS

- Cut hole: 34 1/2"L x 6 3/4"W
- Fixture: 35 1/16"L x 7 11/16"W x 8 5/8"H

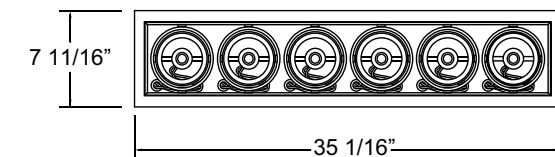
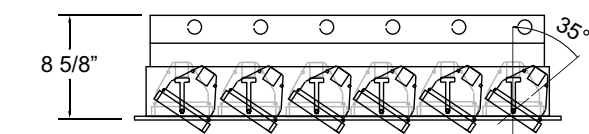
CUSTOMIZATION

- For customization, please consult Eurofase



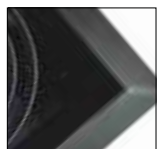
*LED COMPATIBLE

PRODUCT DIMENSION:



34 1/2"L x 6 3/4"W

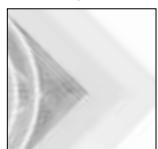
FINISHES:



-01 Black/Black



-02 White/Black



-22 White/White



-0N Platinum/Black

ORDERING GUIDE:

MODEL	FINISH
TE136A	-01 Black/Black
	-02 White/Black
	-22 White/White
	-0N Platinum/Black

EXAMPLE: TE136A-01

*HOUSING OPTIONS (SOLD SEPARATELY):

Refer to page 184 for housing specification

24062-015 NEW CONSTRUCTION PLATE

30377-011 AIRTIGHT IC BOX

24082-013 INSULATED CEILING BOX



Cut Hole 34 1/2"L x 6 3/4"W
Dimension 43 1/2"L x 12 3/4"W x 1 3/8"H



Cut Hole 34 1/2"L x 6 3/4"W
Dimension 43 1/2"L x 12 3/4"W x 11 1/2"H

MULTIPLE RECESSED **PULLDOWN LED**



Maximum adjustability and accuracy of light placement.

The pull-down and tilt allows exact light balance and control.



MULTIPLE RECESSED **PULLDOWN LED**

30297



PG 134

30298



PG 135

30299



PG 136

30300



PG 137

30301



PG 138

30302



PG 139

MULTIPLE RECESSED PULLDOWN LED

MULTIPLE RECESSED PULLDOWN LED



30297

HOUSING

- 18 gauge powder coated steel housing
- Remodel housing complete with adjustable mounting clips suitable for 1/2" and 5/8" drywall
- New construction plate, insulated ceiling box and airtight IC box sold separately (refer to housing options)*

TRIM

- Extruded 6063 aluminum trim
- Powder coated finish
- Available in black, white and platinum

LAMPING

- 1 x 6.3W Integrated LED TRIAC Dimming. For 0-10V and alternate dimming options consult Eurofase
- **Beam angle:** 20°
- **Horizontal adjustment:** 0° - 20°
- **Kelvin:** 3000K
- **Lumen per head:** 480lm
- **CRI:** 80+

ELECTRICAL

- Class 2 integral dimmable constant current driver (included)
- Junction box has two 1/2" and four 3/4" knockouts for through branch circuit wiring
- Thermally protected
- Input voltage: 120V. For 277V and 347V input options consult Eurofase

DIMENSIONS

- **Cut hole:** 5 1/8"L x 5 1/8"W
- **Fixture:** 6 1/8"L x 6 1/8"W x 5 3/8"H

PHOTOMETRICS

- See pg 140

CUSTOMIZATION

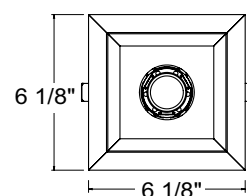
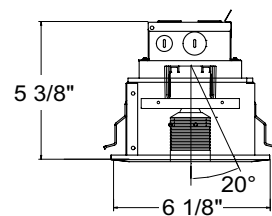
- For customization, please consult Eurofase

SPECIFICATION:



WATTS PER HEAD	LUMENS PER HEAD	KELVIN	DIMMABLE	CRI	BEAM ANGLE
6.3W	480lm	3000K	TRIAC	80+	20°

PRODUCT DIMENSION:



5 1/8"L x 5 1/8"W

FINISHES:



-01 Black/Black



-02 White/Black



-0N Platinum/Black

ORDERING GUIDE:

MODEL	FINISH
30297	-01 Black/Black
	-02 White/Black
	-0N Platinum/Black

EXAMPLE: 30297-01

***HOUSING OPTIONS (SOLD SEPARATELY):**

Refer to page 186 for housing specification

24051-019 NEW CONSTRUCTION PLATE

30366-015 AIRTIGHT IC BOX

24071-017 INSULATED CEILING BOX



Cut Hole 5 1/8"L x 5 1/8"W
Dimension 11 1/4"L x 12 3/4"W x 1 3/8"H



Cut Hole 5 1/8"L x 5 1/8"W
Dimension 11 1/4"L x 12 3/4"W x 11 1/2"H



30298

HOUSING

- 18 gauge powder coated steel housing
- Remodel housing complete with adjustable mounting clips suitable for 1/2" and 5/8" drywall
- New construction plate, insulated ceiling box and airtight IC box sold separately (refer to housing options)*

TRIM

- Extruded 6063 aluminum trim
- Powder coated finish
- Available in black, white and platinum

LAMPING

- 2 x 6.3W Integrated LED TRIAC Dimming. For 0-10V and alternate dimming options consult Eurofase
- **Beam angle:** 20°
- **Horizontal adjustment:** 0° - 20°
- **Kelvin:** 3000K
- **Lumen per head:** 480lm
- **Total lumens:** 960lm
- **CRI:** 80+

ELECTRICAL

- Class 2 integral dimmable constant current driver (included)
- Junction box has two 1/2" and four 3/4" knockouts for through branch circuit wiring
- Thermally protected
- **Input voltage:** 120V. For 277V and 347V input options consult Eurofase

DIMENSIONS

- **Cut hole:** 9 1/2"L x 5 1/8"W
- **Fixture:** 10 1/2"L x 6 1/8"W x 5 1/2"H

PHOTOMETRICS

- See pg 140

CUSTOMIZATION

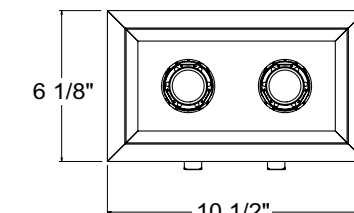
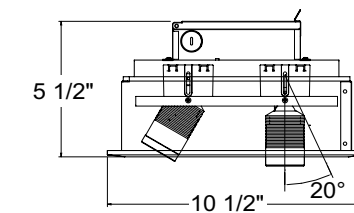
- For customization, please consult Eurofase

SPECIFICATION:



WATTS PER HEAD	LUMENS PER HEAD	KELVIN	DIMMABLE	CRI	BEAM ANGLE
6.3W	480lm	3000K	TRIAC	80+	20°

PRODUCT DIMENSION:

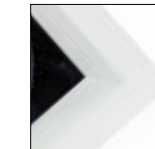


9 1/2"L x 5 1/8"W

FINISHES:



-01 Black/Black



-02 White/Black



-0N Platinum/Black

ORDERING GUIDE:

MODEL	FINISH
30298	-01 Black/Black
	-02 White/Black
	-0N Platinum/Black

EXAMPLE: 30298-01

***HOUSING OPTIONS (SOLD SEPARATELY):**

Refer to page 186 for housing specification

24052-016 NEW CONSTRUCTION PLATE

30367-012 AIRTIGHT IC BOX

24072-014 INSULATED CEILING BOX



Cut Hole 9 1/2"L x 5 1/8"W
Dimension 17"L x 12 3/4"W x 1 3/8"H



Cut Hole 9 1/2"L x 5 1/8"W
Dimension 17"L x 12 3/4"W x 11 1/2"H

MULTIPLE RECESSED PULLDOWN LED



30299

HOUSING

- 18 gauge powder coated steel housing
- Remodel housing complete with adjustable mounting clips suitable for 1/2" and 5/8" drywall
- New construction plate, insulated ceiling box and airtight IC box sold separately (refer to housing options)*

TRIM

- Extruded 6063 aluminum trim
- Powder coated finish
- Available in black, white and platinum

LAMPING

- 3 x 6.3W Integrated LED TRIAC Dimming. For 0-10V and alternate dimming options consult Eurofase
- **Beam angle:** 20°
- **Horizontal adjustment:** 0° - 20°
- **Kelvin:** 3000K
- **Lumen per head:** 480lm
- **Total lumens:** 1440lm
- **CRI:** 80+

ELECTRICAL

- Class 2 integral dimmable constant current driver (included)
- Junction box has two 1/2" and four 3/4" knockouts for through branch circuit wiring
- Thermally protected
- **Input voltage:** 120V. For 277V and 347V input options consult Eurofase

DIMENSIONS

- **Cut hole:** 13 3/8"L x 5 1/8"W
- **Fixture:** 14 7/16"L x 6 1/8"W x 5 3/8"H

PHOTOMETRICS

- See pg 141

CUSTOMIZATION

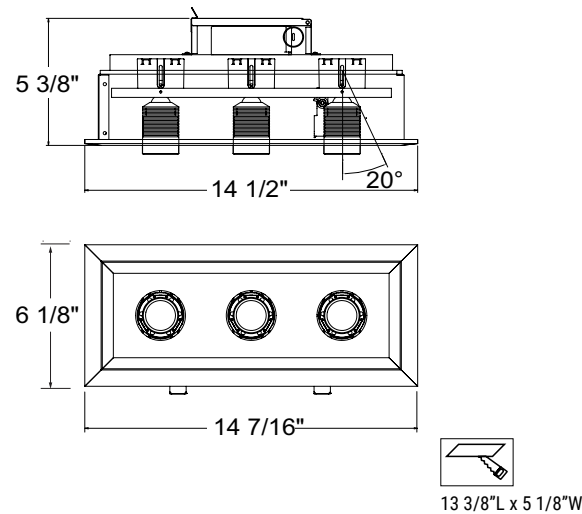
- For customization, please consult Eurofase

SPECIFICATION:



WATTS PER HEAD	LUMENS PER HEAD	KELVIN	DIMMABLE	CRI	BEAM ANGLE
6.3W	480lm	3000K	TRIAC	80+	20°

PRODUCT DIMENSION:



FINISHES:



ORDERING GUIDE:

MODEL	FINISH
30299	-01 Black/Black
	-02 White/Black
	-0N Platinum/Black

EXAMPLE: 30299-01

***HOUSING OPTIONS (SOLD SEPARATELY):**

Refer to page 186 for housing specification

24053-013 NEW CONSTRUCTION PLATE

30368-019 AIRTIGHT IC BOX
24073-011 INSULATED CEILING BOX

 **Cut Hole** 13 3/8"L x 5 1/8"W
Dimension 22"L x 12 3/4"W x 1 3/8"H

 **Cut Hole** 13 3/8"L x 5 1/8"W
Dimension 22"L x 12 3/4"W x 11 1/2"H



30300

HOUSING

- 18 gauge powder coated steel housing
- Remodel housing complete with adjustable mounting clips suitable for 1/2" and 5/8" drywall
- New construction plate, insulated ceiling box and airtight IC box sold separately (refer to housing options)*

TRIM

- Extruded 6063 aluminum trim
- Powder coated finish
- Available in black, white and platinum

LAMPING

- 4 x 6.3W Integrated LED TRIAC Dimming. For 0-10V and alternate dimming options consult Eurofase
- **Beam angle:** 20°
- **Horizontal adjustment:** 0° - 20°
- **Kelvin:** 3000K
- **Lumen per head:** 480lm
- **Total lumens:** 1920lm
- **CRI:** 80+

ELECTRICAL

- Class 2 integral dimmable constant current driver (included)
- Junction box has two 1/2" and four 3/4" knockouts for through branch circuit wiring
- Thermally protected
- **Input voltage:** 120V. For 277V and 347V input options consult Eurofase

DIMENSIONS

- **Cut hole:** 17 3/8"L x 5 1/8"W
- **Fixture:** 18 3/8"L x 6 1/8"W x 5 3/8"H

PHOTOMETRICS

- See pg 142

CUSTOMIZATION

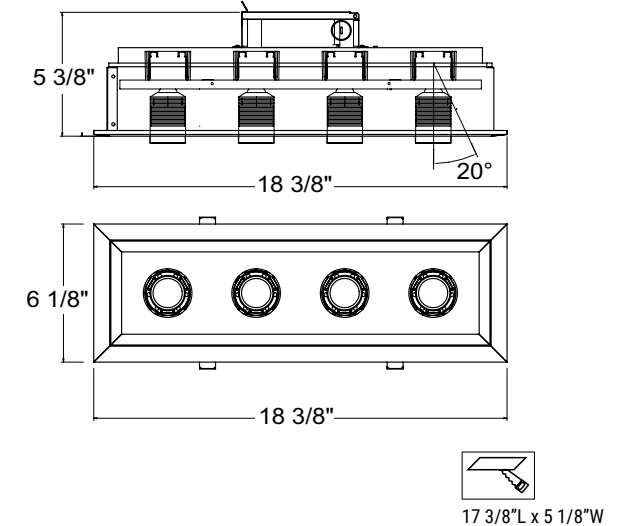
- For customization, please consult Eurofase

SPECIFICATION:



WATTS PER HEAD	LUMENS PER HEAD	KELVIN	DIMMABLE	CRI	BEAM ANGLE
6.3W	480lm	3000K	TRIAC	80+	20°

PRODUCT DIMENSION:



FINISHES:



ORDERING GUIDE:

MODEL	FINISH
30300	-01 Black/Black
	-02 White/Black
	-0N Platinum/Black

EXAMPLE: 30300-01


***HOUSING OPTIONS (SOLD SEPARATELY):**

Refer to page 186 for housing specification

24054-010 NEW CONSTRUCTION PLATE

30369-016 AIRTIGHT IC BOX
24074-018 INSULATED CEILING BOX

 **Cut Hole** 17 3/8"L x 5 1/8"W
Dimension 26"L x 12 3/4"W x 1 3/8"H

 **Cut Hole** 17 3/8"L x 5 1/8"W
Dimension 26"L x 12 3/4"W x 11 1/2"H

MULTIPLE RECESSED PULLDOWN LED



30301

HOUSING

- 18 gauge powder coated steel housing
- Remodel housing complete with adjustable mounting clips suitable for 1/2" and 5/8" drywall
- New construction plate, insulated ceiling box and airtight IC box sold separately (refer to housing options)*

TRIM

- Extruded 6063 aluminum trim
- Powder coated finish
- Available in black, white and platinum

LAMPING

- 4 x 6.3W Integrated LED TRIAC Dimming. For 0-10V and alternate dimming options consult Eurofase
- **Beam angle:** 20°
- **Horizontal adjustment:** 0° - 20°
- **Kelvin:** 3000K
- **Lumen per head:** 480lm
- **Total lumens:** 1920lm
- **CRI:** 80+

ELECTRICAL

- Class 2 integral dimmable constant current driver (included)
- Junction box has two 1/2" and four 3/4" knockouts for through branch circuit wiring
- Thermally protected
- **Input voltage:** 120V. For 277V and 347V input options consult Eurofase

DIMENSIONS

- **Cut hole:** 9 1/2"L x 9 1/2"W
- **Fixture:** 10 5/8"L x 10 5/8"W x 6 1/4"H

PHOTOMETRICS

- See pg 141

CUSTOMIZATION

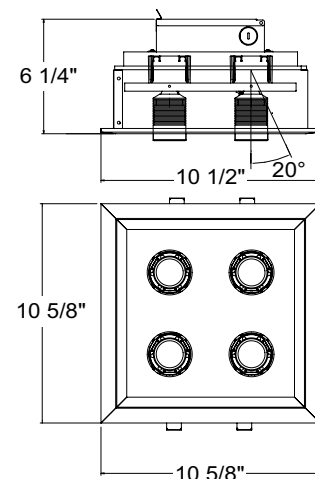
- For customization, please consult Eurofase

SPECIFICATION:



WATTS PER HEAD	LUMENS PER HEAD	KELVIN	DIMMABLE	CRI	BEAM ANGLE
6.3W	480lm	3000K	TRIAC	80+	20°

PRODUCT DIMENSION:



9 1/2"L x 9 1/2"W

FINISHES:



-01 Black/Black



-02 White/Black



-0N Platinum/Black

ORDERING GUIDE:

MODEL	FINISH
30301	-01 Black/Black
	-02 White/Black
	-0N Platinum/Black

EXAMPLE: 30301-01

*HOUSING OPTIONS (SOLD SEPARATELY):

Refer to page 186 for housing specification

24055-017 NEW CONSTRUCTION PLATE

30370-012 AIRTIGHT IC BOX
24075-015 INSULATED CEILING BOX



Cut Hole 9 1/2"L x 9 1/2"W
Dimension 24"L x 18"W x 1 3/8"H



Cut Hole 9 1/2"L x 9 1/2"W
Dimension 24"L x 18"W x 11 1/2"H



30302

HOUSING

- 18 gauge powder coated steel housing
- Remodel housing complete with adjustable mounting clips suitable for 1/2" and 5/8" drywall
- New construction plate, insulated ceiling box and airtight IC box sold separately (refer to housing options)*

TRIM

- Extruded 6063 aluminum trim
- Powder coated finish
- Available in black, white and platinum

LAMPING

- 6 x 6.3W Integrated LED TRIAC Dimming. For 0-10V and alternate dimming options consult Eurofase
- **Beam angle:** 20°
- **Horizontal adjustment:** 0° - 20°
- **Kelvin:** 3000K
- **Lumen per head:** 480lm
- **Total lumens:** 2880lm
- **CRI:** 80+

ELECTRICAL

- Class 2 integral dimmable constant current driver (included)
- Junction box has two 1/2" and four 3/4" knockouts for through branch circuit wiring
- Thermally protected
- **Input voltage:** 120V. For 277V and 347V input options consult Eurofase

DIMENSIONS

- **Cut hole:** 25 1/4"L x 5 1/8"W
- **Fixture:** 26 1/4"L x 6 1/8"W x 5 3/8"H

PHOTOMETRICS

- See pg 142

CUSTOMIZATION

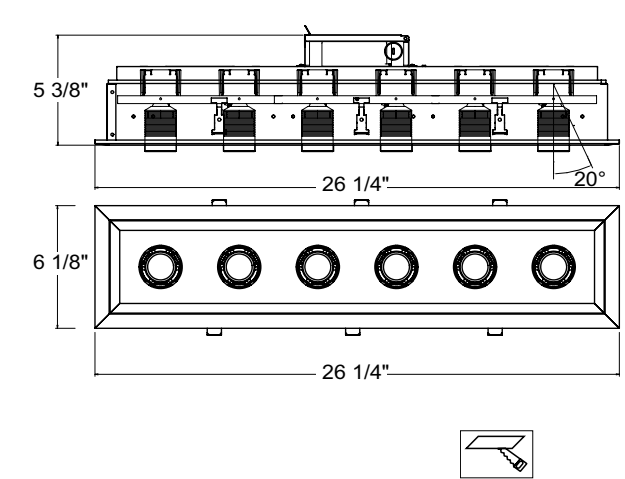
- For customization, please consult Eurofase

SPECIFICATION:



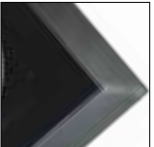
WATTS PER HEAD	LUMENS PER HEAD	KELVIN	DIMMABLE	CRI	BEAM ANGLE
6.3W	480lm	3000K	TRIAC	80+	20°

PRODUCT DIMENSION:



25 1/4"L x 5 1/8"W

FINISHES:



-01 Black/Black



-02 White/Black



-0N Platinum/Black

ORDERING GUIDE:

MODEL	FINISH
30302	-01 Black/Black
	-02 White/Black
	-0N Platinum/Black

EXAMPLE: 30302-01

*HOUSING OPTIONS (SOLD SEPARATELY):

Refer to page 186 for housing specification

24056-014 NEW CONSTRUCTION PLATE

30371-019 AIRTIGHT IC BOX
24076-012 INSULATED CEILING BOX



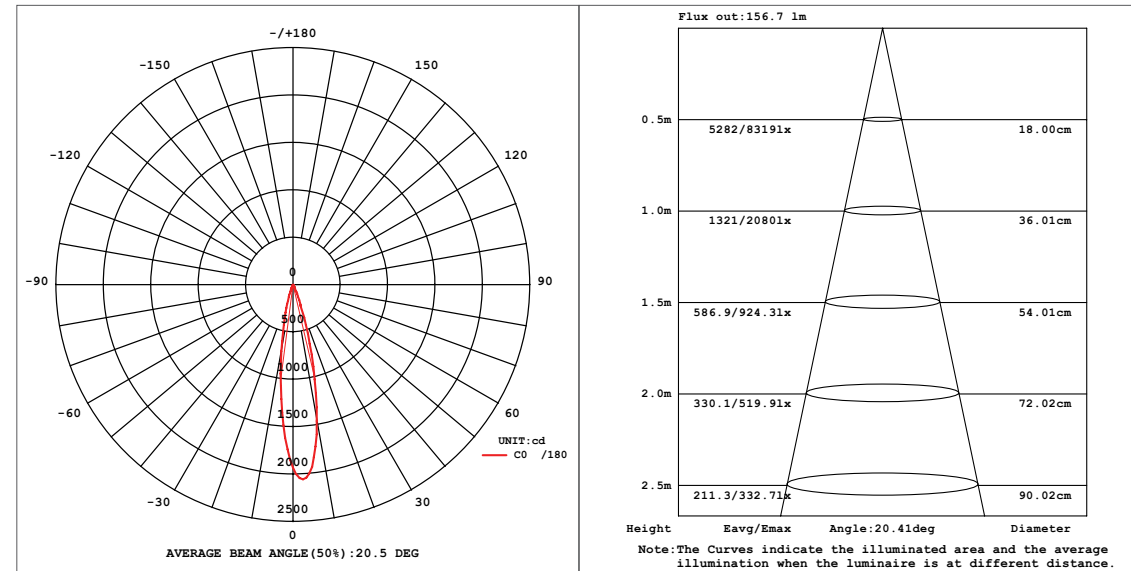
Cut Hole 25 1/4"L x 5 1/8"W
Dimension 37 1/2"L x 12 3/4"W x 1 3/8"H



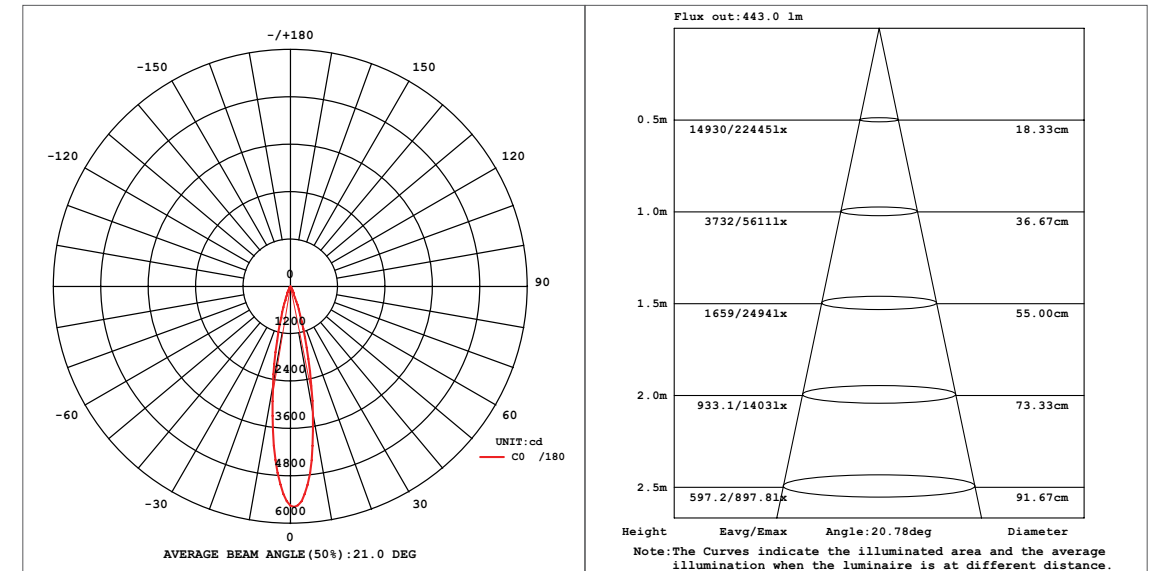
Cut Hole 25 1/4"L x 5 1/8"W
Dimension 37 1/2"L x 12 3/4"W x 11 1/2"H



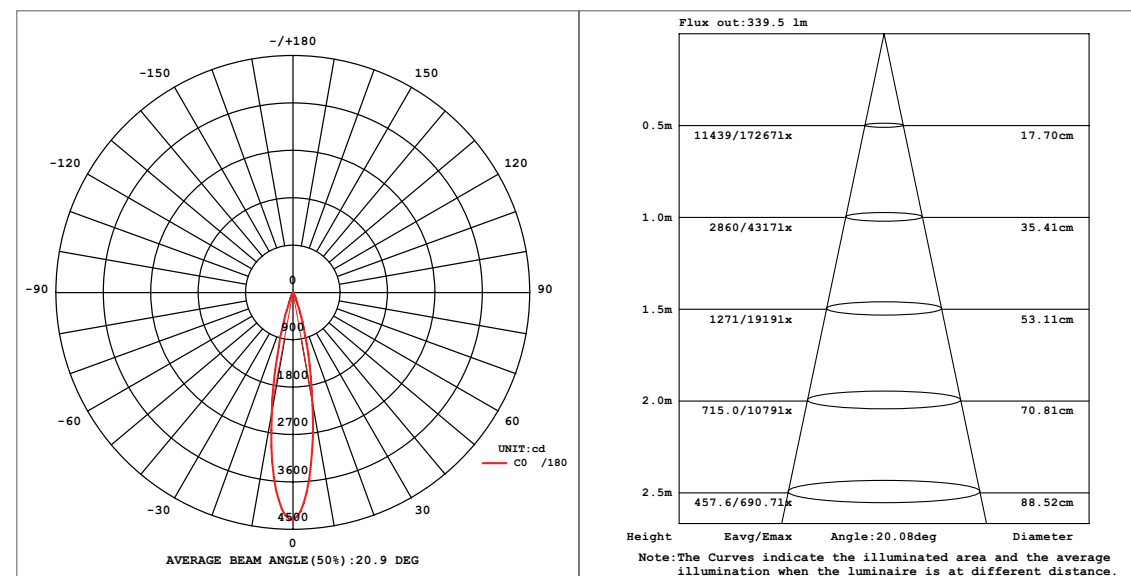
30297



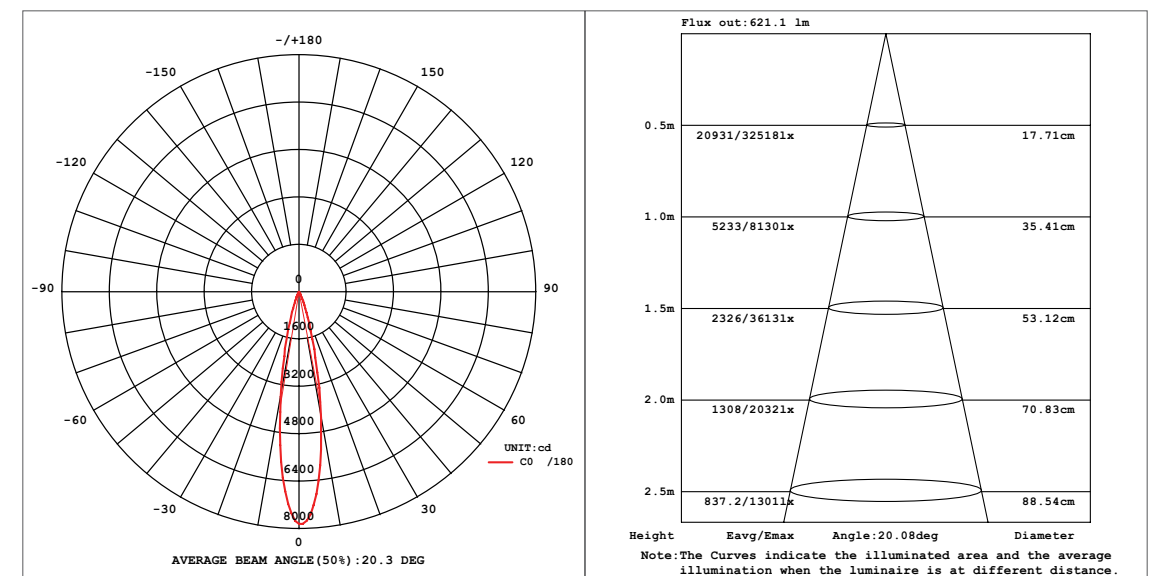
30299



30298

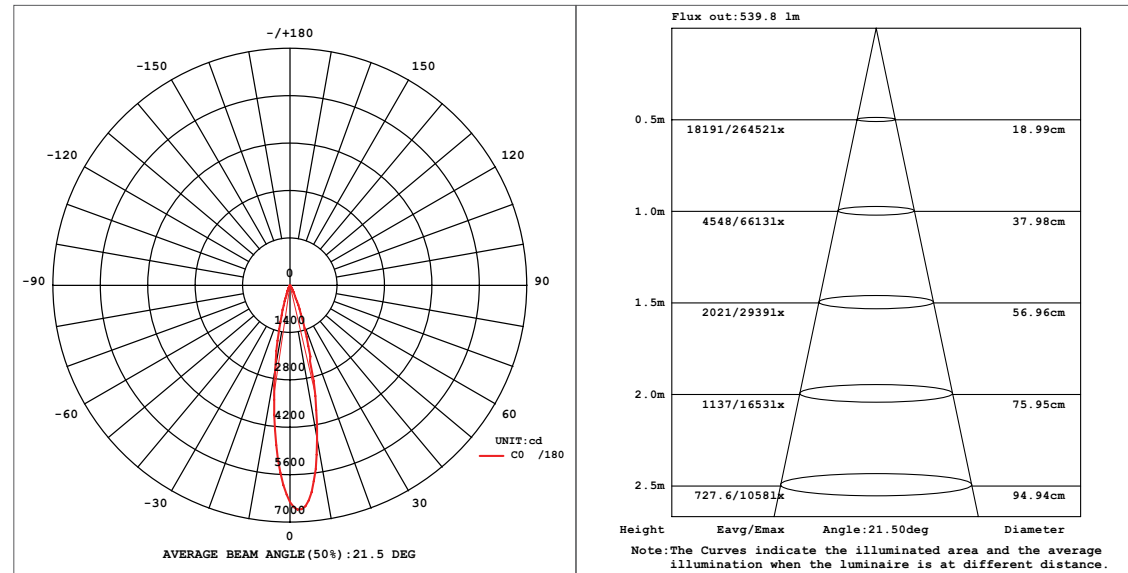


30301

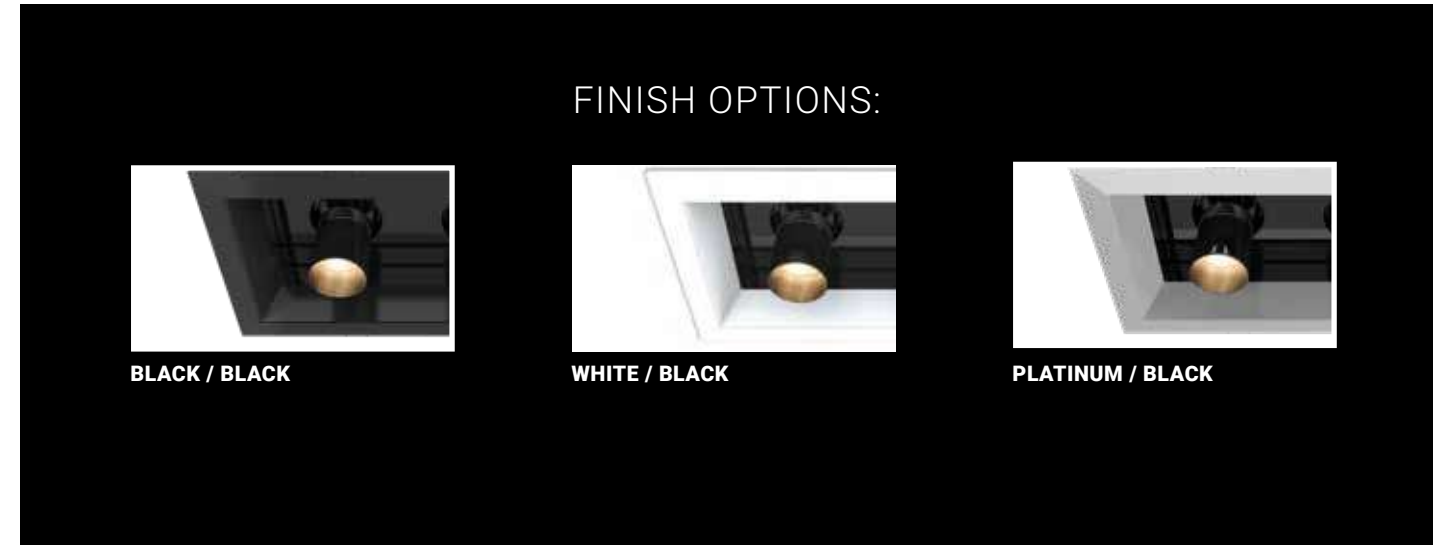
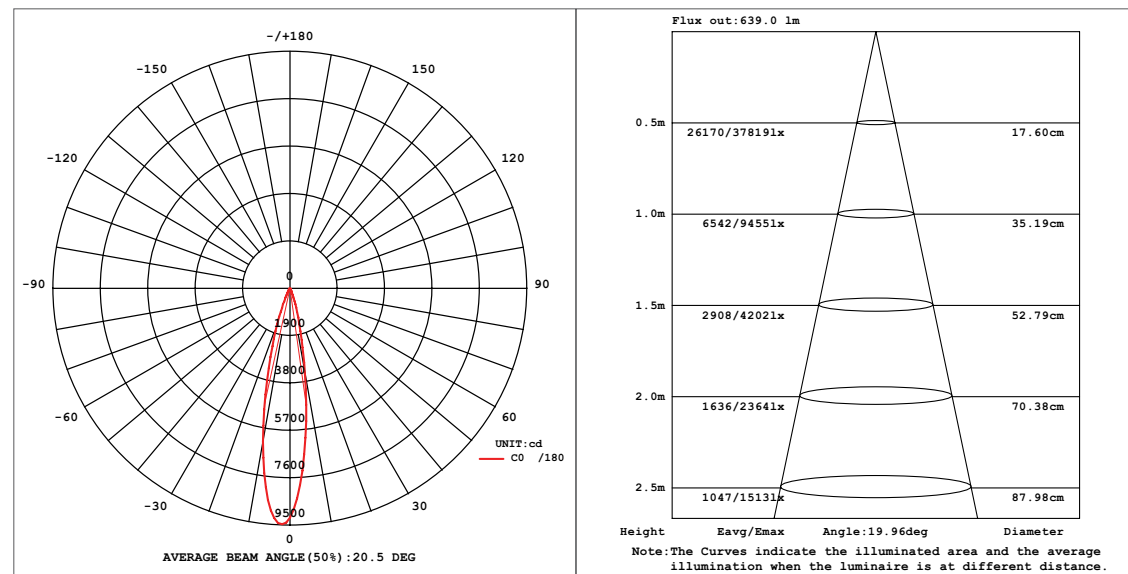




30300



30302



MULTIPLE RECESSED PULLDOWN LED

MULTIPLE RECESSED **DIFFUSED LENS LED**



Frosted glass diffuser is soft on the eyes, yet makes a powerful statement for light.



MULTIPLE RECESSED **DIFFUSED LENS LED**

30303



PG 146

30304



PG 147

30305



PG 148

30306



PG 149

30307



PG 150

30308



PG 151

MULTIPLE RECESSED DIFFUSED LENS LED

MULTIPLE RECESSED DIFFUSED LENS LED



30303

- HOUSING**
- 18 gauge powder coated steel housing
 - Remodel housing complete with adjustable mounting clips suitable for 1/2" and 5/8" drywall
 - New construction plate, insulated ceiling box and airtight IC box sold separately (refer to housing options)*

- TRIM**
- Extruded 6063 aluminum trim
 - Powder coated finish
 - Available in black, white and platinum

- LAMPING**
- 1 x 14.4W Integrated LED TRIAC Dimming. For 0-10V and alternate dimming options consult Eurofase
 - **Beam angle:** 120°
 - **Kelvin:** 3000K
 - **Total lumens:** 1180lm
 - **CRI:** 80+

- ELECTRICAL**
- Junction box has two 1/2" and four 3/4" knockouts for through branch circuit wiring
 - Thermally protected
 - **Input voltage:** 120V. For 277V and 347V input options consult Eurofase

- DIMENSIONS**
- **Cut hole:** 5 1/8"L x 5 1/8"W
 - **Fixture:** 6 1/8"L x 6 1/8"W x 6 1/2"H

- PHOTOMETRICS**
- See pg 152

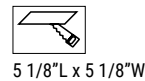
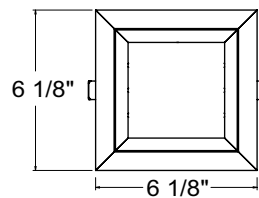
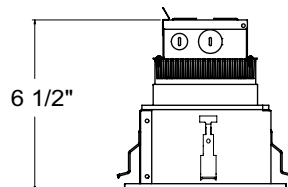
- CUSTOMIZATION**
- For customization, please consult Eurofase

SPECIFICATION:

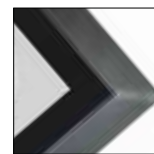


WATTS	LUMENS	KELVIN	DIMMABLE	CRI	BEAM ANGLE
14.4W	1180lm	3000K	TRIAC	80+	120°

PRODUCT DIMENSION:



FINISHES:



-01 Black



-02 White



-0N Platinum

ORDERING GUIDE:


MODEL	FINISH
30303	-01 Black
	-02 White
	-0N Platinum

EXAMPLE: 30303-01

***HOUSING OPTIONS (SOLD SEPARATELY):**


Refer to page 187 for housing specification

24051-019 NEW CONSTRUCTION PLATE

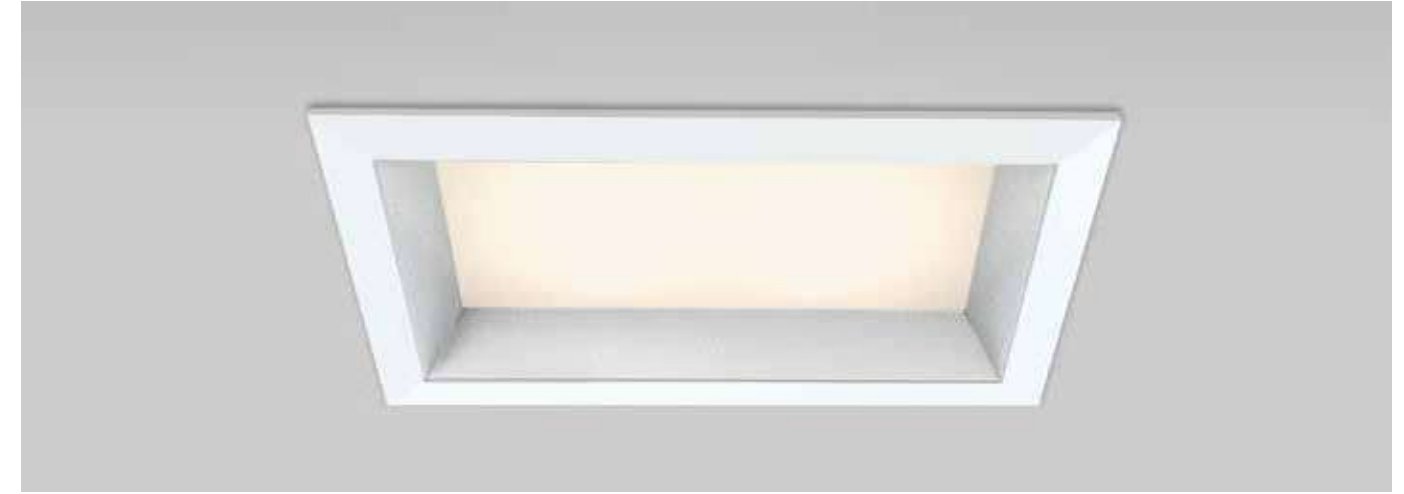


Cut Hole 5 1/8"L x 5 1/8"W
Dimension 11 1/4"L x 12 3/4"W x 1 3/8"H

30366-015 AIRTIGHT IC BOX
24071-017 INSULATED CEILING BOX



Cut Hole 5 1/8"L x 5 1/8"W
Dimension 11 1/4"L x 12 3/4"W x 11 1/2"H



30304

- HOUSING**
- 18 gauge powder coated steel housing
 - Remodel housing complete with adjustable mounting clips suitable for 1/2" and 5/8" drywall
 - New construction plate, insulated ceiling box and airtight IC box sold separately (refer to housing options)*

- TRIM**
- Extruded 6063 aluminum trim
 - Powder coated finish
 - Available in black, white and platinum

- LAMPING**
- 2 x 14.4W Integrated LED TRIAC Dimming. For 0-10V and alternate dimming options consult Eurofase
 - **Beam angle:** 120°
 - **Kelvin:** 3000K
 - **Total lumens:** 2360lm
 - **CRI:** 80+

- ELECTRICAL**
- Junction box has two 1/2" and four 3/4" knockouts for through branch circuit wiring
 - Thermally protected
 - **Input voltage:** 120V. For 277V and 347V input options consult Eurofase

- DIMENSIONS**
- **Cut hole:** 9 1/2"L x 5 1/8"W
 - **Fixture:** 10 1/2"L x 6 1/8"W x 6 1/2"H

- PHOTOMETRICS**
- See pg 152

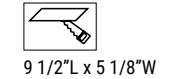
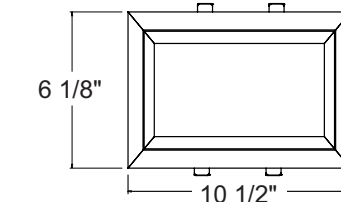
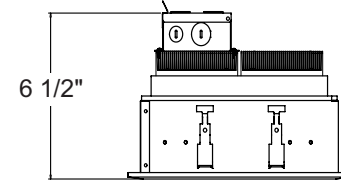
- CUSTOMIZATION**
- For customization, please consult Eurofase

SPECIFICATION:



WATTS	LUMENS	KELVIN	DIMMABLE	CRI	BEAM ANGLE
28.8W	2360lm	3000K	TRIAC	80+	120°

PRODUCT DIMENSION:



FINISHES:



-01 Black



-02 White



-0N Platinum

ORDERING GUIDE:


MODEL	FINISH
30304	-01 Black
	-02 White
	-0N Platinum

EXAMPLE: 30304-01

***HOUSING OPTIONS (SOLD SEPARATELY):**


Refer to page 187 for housing specification

24052-016 NEW CONSTRUCTION PLATE



Cut Hole 9 1/2"L x 5 1/8"W
Dimension 17"L x 12 3/4"W x 1 3/8"H

30367-012 AIRTIGHT IC BOX
24072-014 INSULATED CEILING BOX



Cut Hole 9 1/2"L x 5 1/8"W
Dimension 17"L x 12 3/4"W x 11 1/2"H



30305

HOUSING

- 18 gauge powder coated steel housing
- Remodel housing complete with adjustable mounting clips suitable for 1/2" and 5/8" drywall
- New construction plate, insulated ceiling box and airtight IC box sold separately (refer to housing options)*

TRIM

- Extruded 6063 aluminum trim
- Powder coated finish
- Available in black, white and platinum

LAMPING

- 3 x 14.4W Integrated LED TRIAC Dimming. For 0-10V and alternate dimming options consult Eurofase
- **Beam angle:** 120°
- **Kelvin:** 3000K
- **Total lumens:** 3540lm
- **CRI:** 80+

ELECTRICAL

- Junction box has two 1/2" and four 3/4" knockouts for through branch circuit wiring
- Thermally protected
- **Input voltage:** 120V. For 277V and 347V input options consult Eurofase

DIMENSIONS

- **Cut hole:** 13 3/8"L x 5 1/8"W
- **Fixture:** 14 7/16"L x 6 1/8"W x 6 1/2"H

PHOTOMETRICS

- See pg 153

CUSTOMIZATION

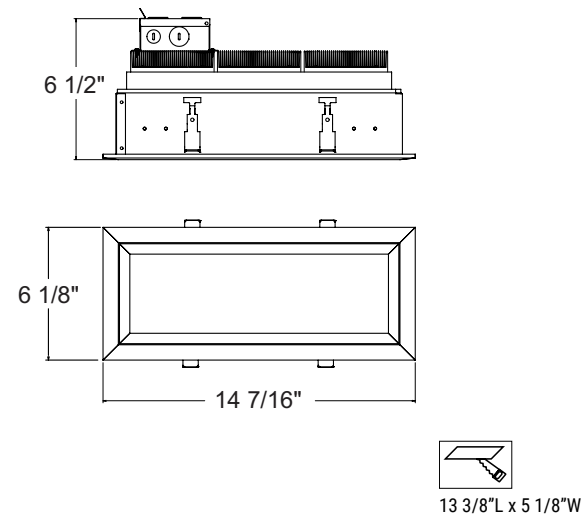
- For customization, please consult Eurofase

SPECIFICATION:



WATTS	LUMENS	KELVIN	DIMMABLE	CRI	BEAM ANGLE
43.2W	3540lm	3000K	TRIAC	80+	120°

PRODUCT DIMENSION:



FINISHES:



ORDERING GUIDE:

MODEL	FINISH
30305	-01 Black
	-02 White
	-0N Platinum

EXAMPLE: 30305-01

***HOUSING OPTIONS (SOLD SEPARATELY):**

Refer to page 187 for housing specification

24053-013 NEW CONSTRUCTION PLATE

30368-019 AIRTIGHT IC BOX
24073-011 INSULATED CEILING BOX

Cut Hole 13 3/8"L x 5 1/8"W
Dimension 22"L x 12 3/4"W x 1 3/8"H

Cut Hole 13 3/8"L x 5 1/8"W
Dimension 22"L x 12 3/4"W x 11 1/2"H



30306

HOUSING

- 18 gauge powder coated steel housing
- Remodel housing complete with adjustable mounting clips suitable for 1/2" and 5/8" drywall
- New construction plate, insulated ceiling box and airtight IC box sold separately (refer to housing options)*

TRIM

- Extruded 6063 aluminum trim
- Powder coated finish
- Available in black, white and platinum

LAMPING

- 4 x 14.4W Integrated LED TRIAC Dimming. For 0-10V and alternate dimming options consult Eurofase
- **Beam angle:** 120°
- **Kelvin:** 3000K
- **Total lumens:** 4720lm
- **CRI:** 80+

ELECTRICAL

- Junction box has two 1/2" and four 3/4" knockouts for through branch circuit wiring
- Thermally protected
- **Input voltage:** 120V. For 277V and 347V input options consult Eurofase

DIMENSIONS

- **Cut hole:** 17 3/8"L x 5 1/8"W
- **Fixture:** 18 3/8"L x 6 1/8"W x 6 5/8"H

PHOTOMETRICS

- See pg 154

CUSTOMIZATION

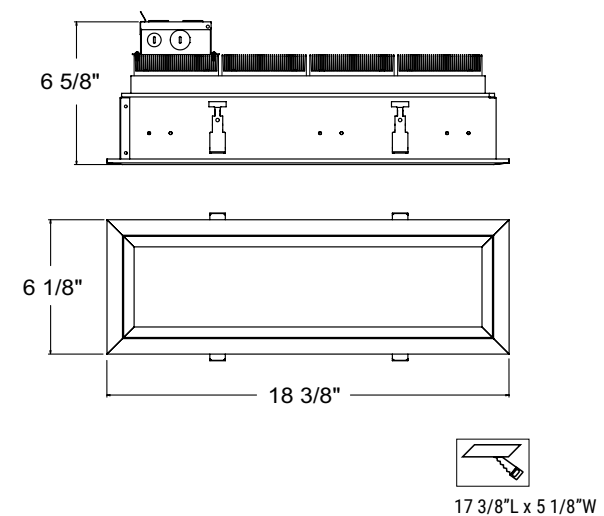
- For customization, please consult Eurofase

SPECIFICATION:



WATTS	LUMENS	KELVIN	DIMMABLE	CRI	BEAM ANGLE
57.6W	4720lm	3000K	TRIAC	80+	120°

PRODUCT DIMENSION:



FINISHES:



ORDERING GUIDE:

MODEL	FINISH
30306	-01 Black
	-02 White
	-0N Platinum

EXAMPLE: 30306-01

***HOUSING OPTIONS (SOLD SEPARATELY):**

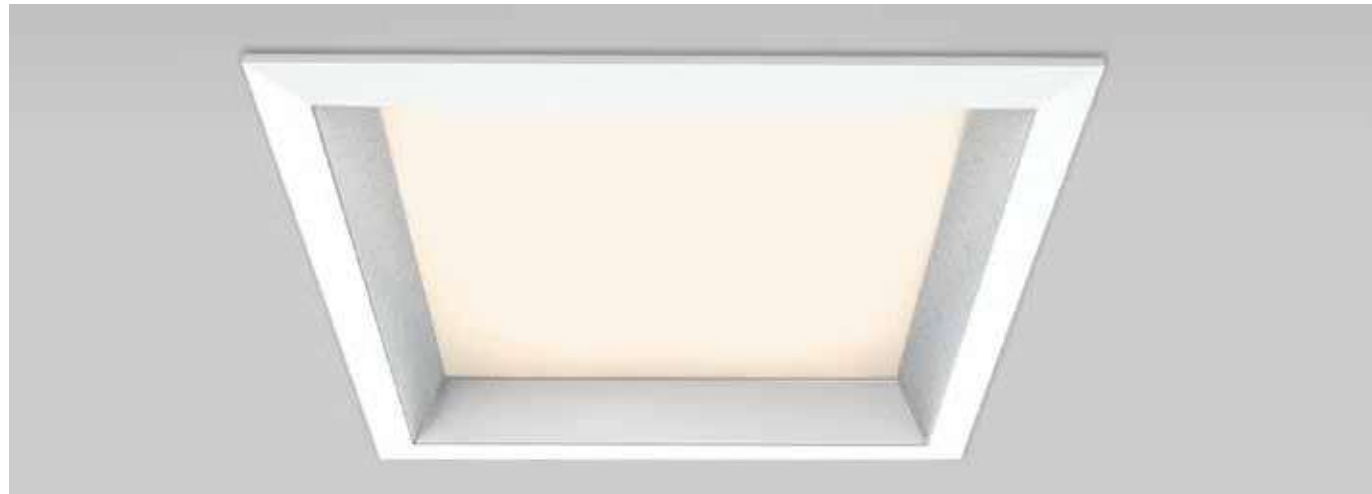
Refer to page 187 for housing specification

24054-010 NEW CONSTRUCTION PLATE

30369-016 AIRTIGHT IC BOX
24074-018 INSULATED CEILING BOX

Cut Hole 17 3/8"L x 5 1/8"W
Dimension 26"L x 12 3/4"W x 1 3/8"H

Cut Hole 17 3/8"L x 5 1/8"W
Dimension 26"L x 12 3/4"W x 11 1/2"H



30307

HOUSING

- 18 gauge powder coated steel housing
- Remodel housing complete with adjustable mounting clips suitable for 1/2" and 5/8" drywall
- New construction plate, insulated ceiling box and airtight IC box sold separately (refer to housing options)*

TRIM

- Extruded 6063 aluminum trim
- Powder coated finish
- Available in black, white and platinum

LAMPING

- 4 x 14.4W Integrated LED TRIAC Dimming. For 0-10V and alternate dimming options consult Eurofase
- **Beam angle:** 120°
- **Kelvin:** 3000K
- **Total lumens:** 4720lm
- **CRI:** 80+

ELECTRICAL

- Junction box has two 1/2" and four 3/4" knockouts for through branch circuit wiring
- Thermally protected
- **Input voltage:** 120V. For 277V and 347V input options consult Eurofase

DIMENSIONS

- **Cut hole:** 9 1/2"L x 9 1/2"W
- **Fixture:** 10 5/8"L x 10 5/8"W x 6 3/4"H

PHOTOMETRICS

- See pg 153

CUSTOMIZATION

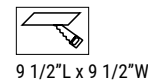
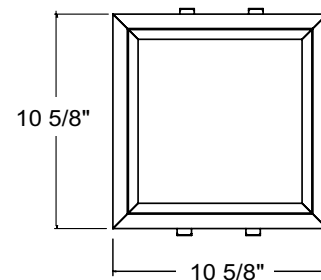
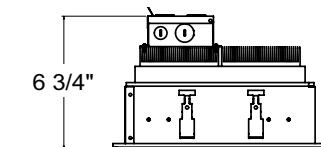
- For customization, please consult Eurofase

SPECIFICATION:

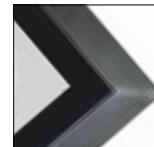


WATTS	LUMENS	KELVIN	DIMMABLE	CRI	BEAM ANGLE
57.6W	4720lm	3000K	TRIAC	80+	120°

PRODUCT DIMENSION:



FINISHES:



ORDERING GUIDE:

MODEL	FINISH
30307	-01 Black
	-02 White
	-0N Platinum

EXAMPLE: 30307-01

***HOUSING OPTIONS (SOLD SEPARATELY):**

Refer to page 187 for housing specification

24055-017 NEW CONSTRUCTION PLATE

30370-012 AIRTIGHT IC BOX
24075-015 INSULATED CEILING BOX



Cut Hole 9 1/2"L x 9 1/2"W
Dimension 24"L x 18"W x 1 3/8"H



Cut Hole 9 1/2"L x 9 1/2"W
Dimension 24"L x 18"W x 1 1/2"H



30308

HOUSING

- 18 gauge powder coated steel housing
- Remodel housing complete with adjustable mounting clips suitable for 1/2" and 5/8" drywall
- New construction plate, insulated ceiling box and airtight IC box sold separately (refer to housing options)*

TRIM

- Extruded 6063 aluminum trim
- Powder coated finish
- Available in black, white and platinum

LAMPING

- 6 x 14.4W Integrated LED TRIAC Dimming. For 0-10V and alternate dimming options consult Eurofase
- **Beam angle:** 120°
- **Kelvin:** 3000K
- **Total lumens:** 7080lm
- **CRI:** 80+

ELECTRICAL

- Junction box has two 1/2" and four 3/4" knockouts for through branch circuit wiring
- Thermally protected
- **Input voltage:** 120V. For 277V and 347V input options consult Eurofase

DIMENSIONS

- **Cut hole:** 25 1/4"L x 5 1/8"W
- **Fixture:** 26 1/4"L x 6 1/8"W x 6 1/2"H

PHOTOMETRICS

- See pg 154

CUSTOMIZATION

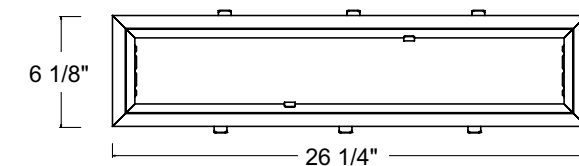
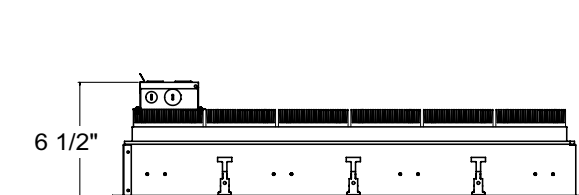
- For customization, please consult Eurofase

SPECIFICATION:

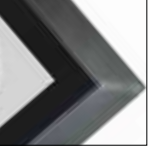


WATTS	LUMENS	KELVIN	DIMMABLE	CRI	BEAM ANGLE
86.4W	7080lm	3000K	TRIAC	80+	120°

PRODUCT DIMENSION:



FINISHES:



ORDERING GUIDE:

MODEL	FINISH
30308	-01 Black
	-02 White
	-0N Platinum

EXAMPLE: 30308-01

***HOUSING OPTIONS (SOLD SEPARATELY):**

Refer to page 187 for housing specification

24056-014 NEW CONSTRUCTION PLATE

30371-019 AIRTIGHT IC BOX
24076-012 INSULATED CEILING BOX



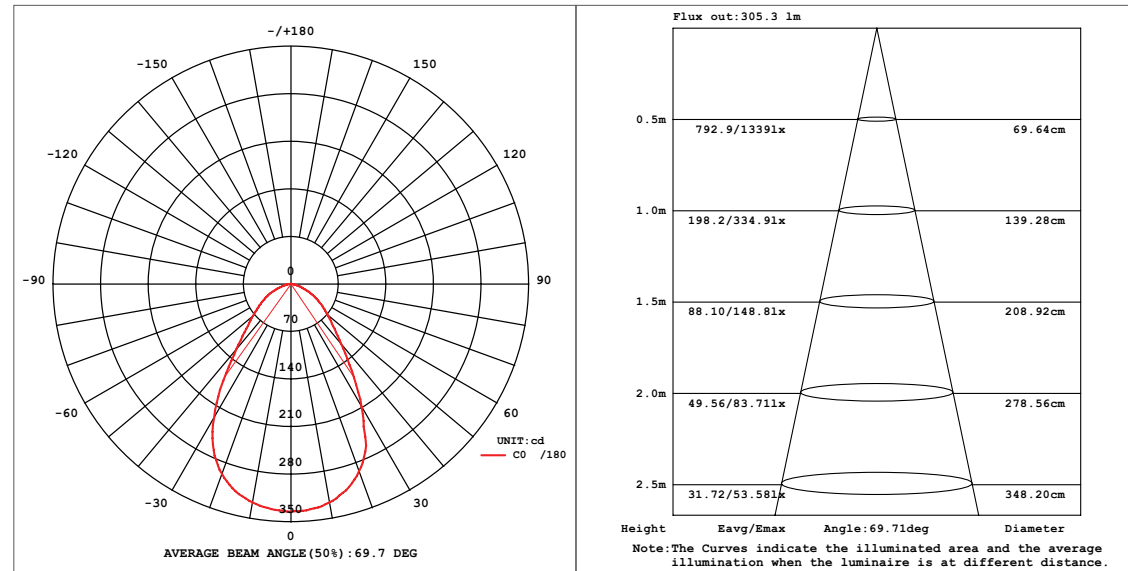
Cut Hole 25 1/4"L x 5 1/8"W
Dimension 37 1/2"L x 12 3/4"W x 1 3/8"H



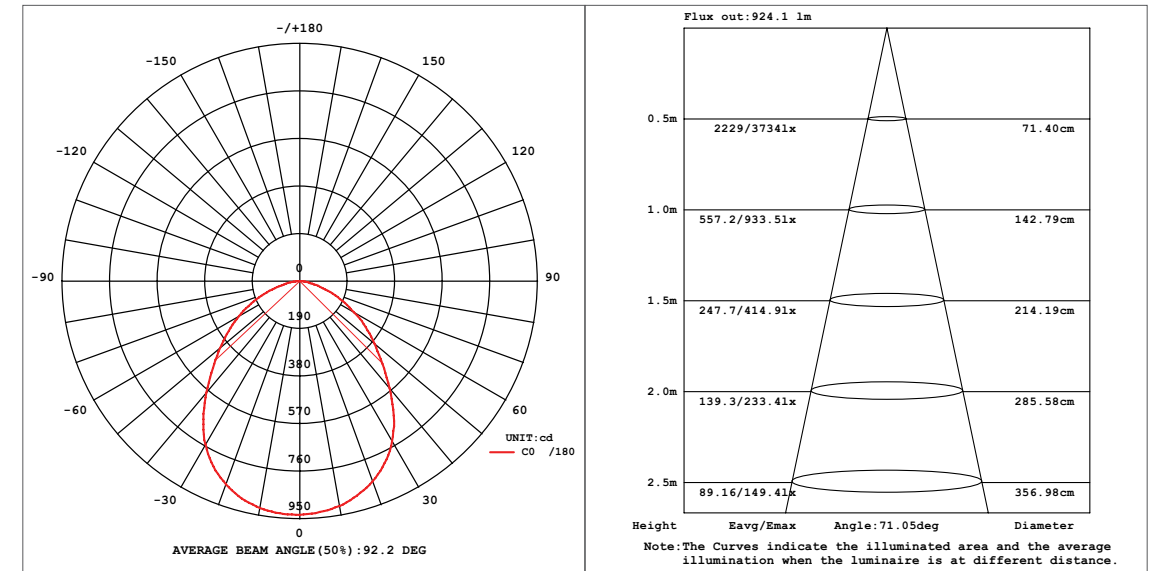
Cut Hole 25 1/4"L x 5 1/8"W
Dimension 37 1/2"L x 12 3/4"W x 1 1/2"H



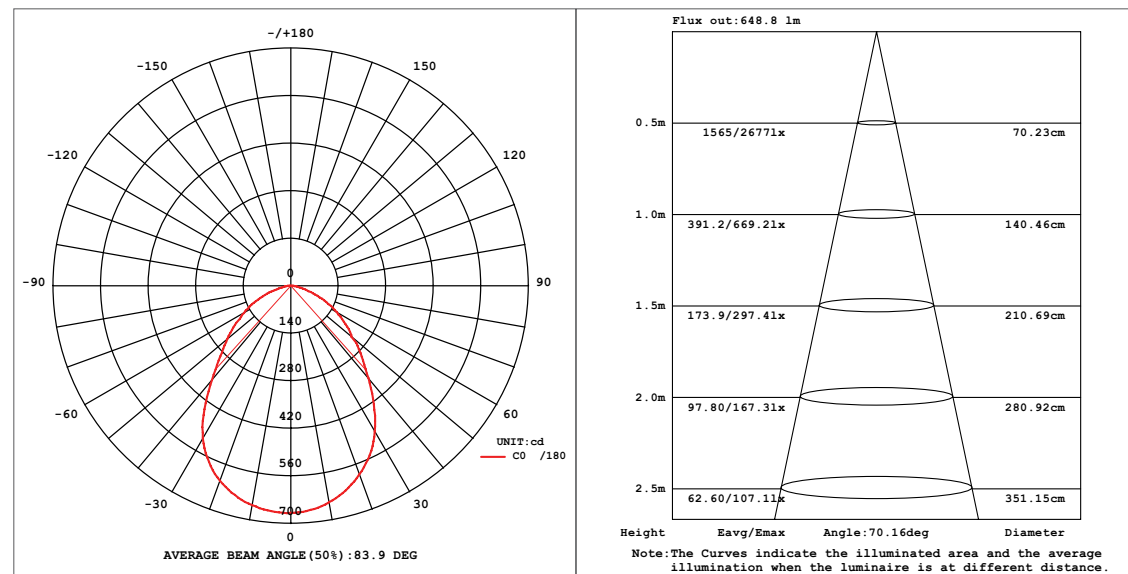
30303



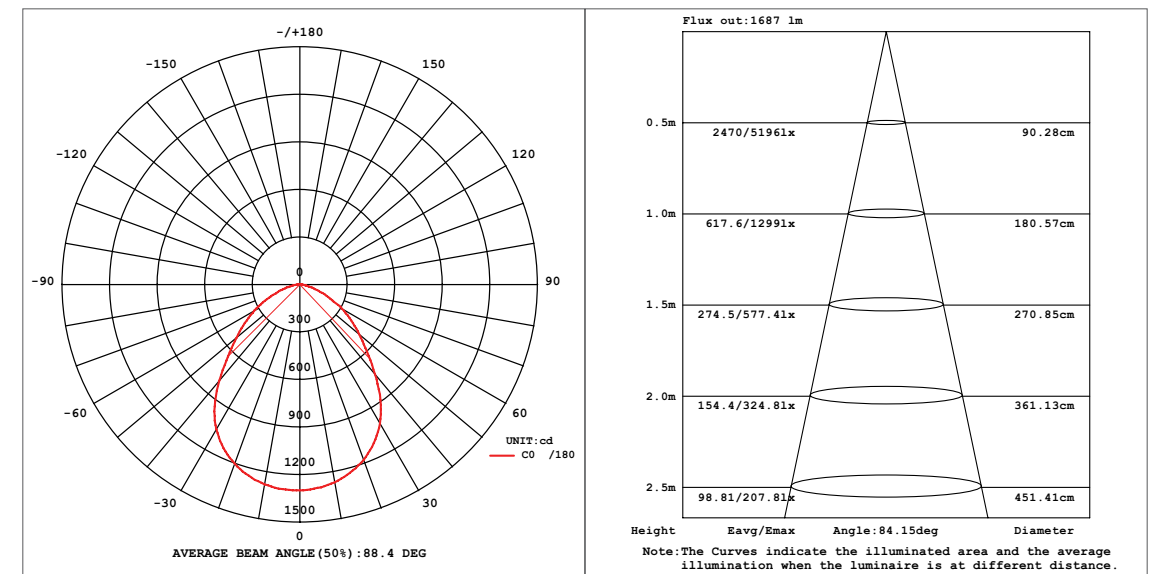
30305



30304



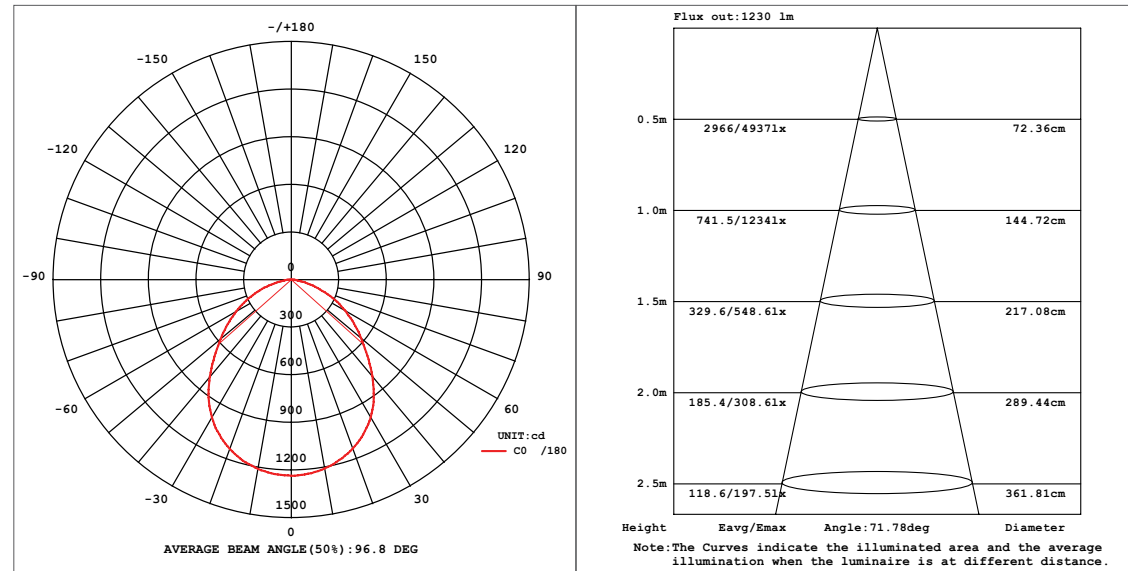
30307



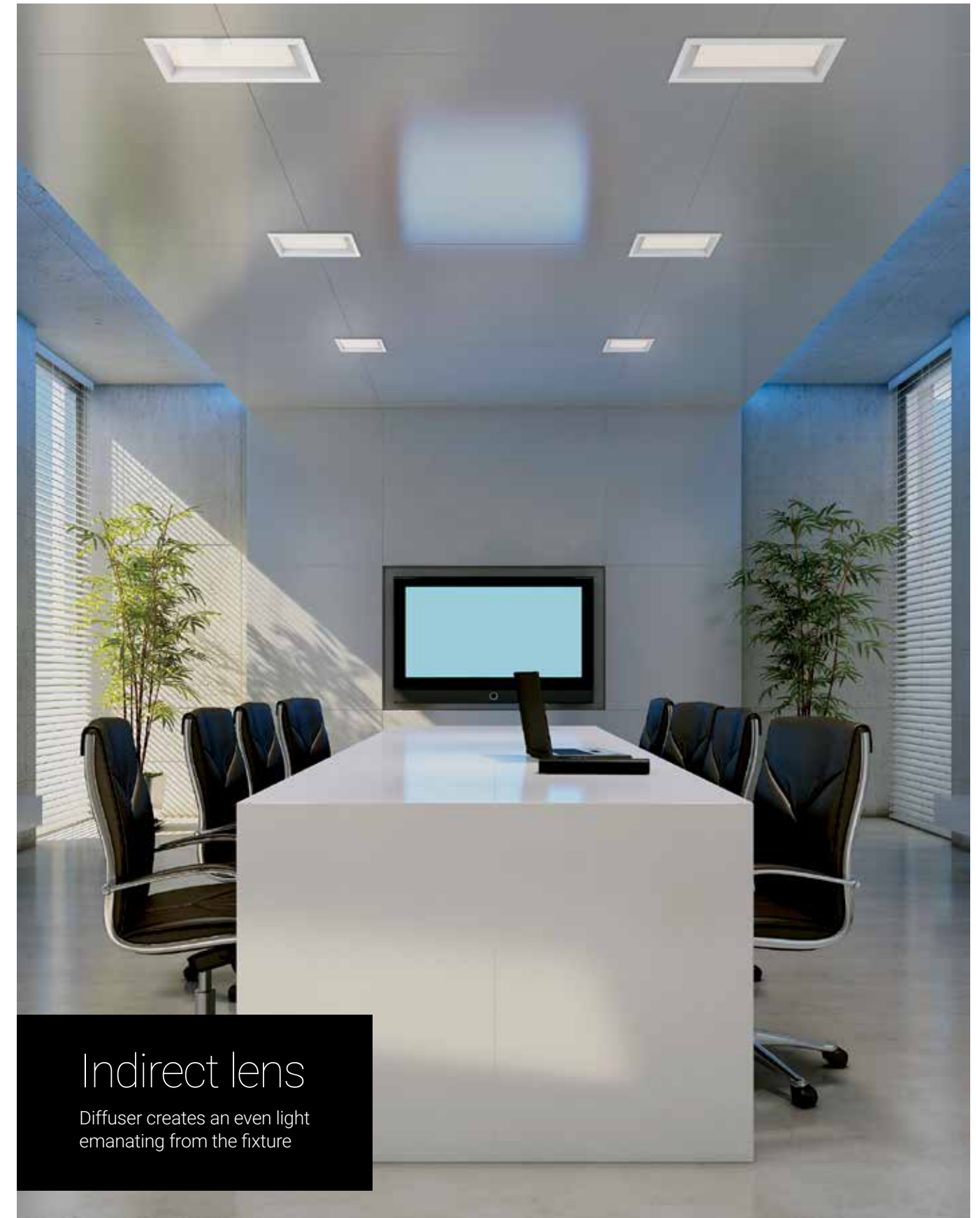
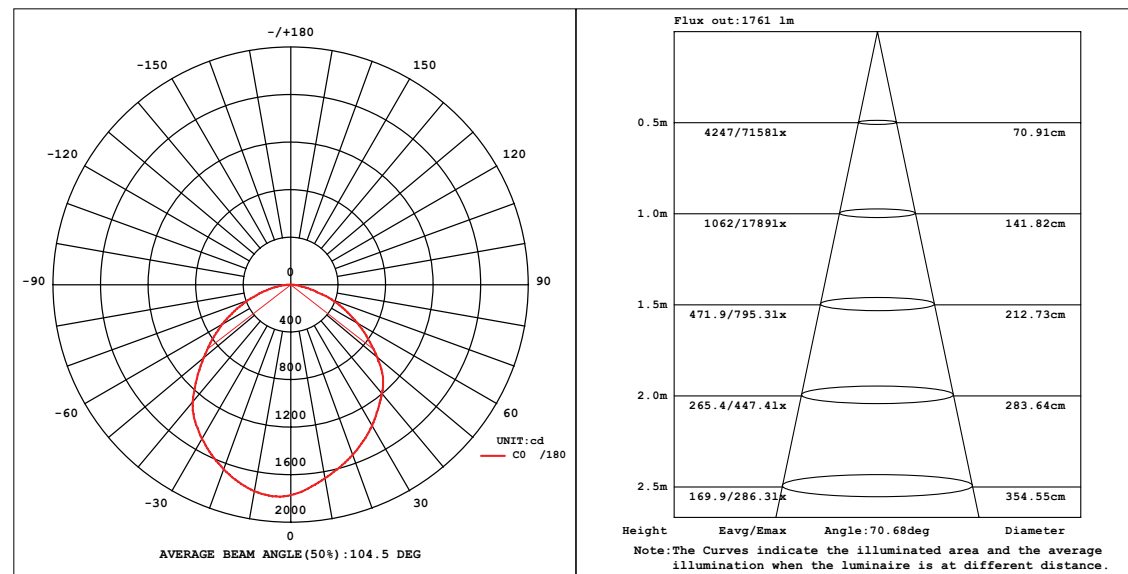
MULTIPLE RECESSED DIFFUSED LENS LED



30306

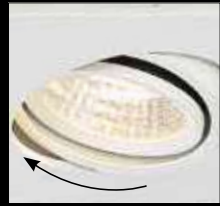


30308



MULTIPLE RECESSED DIFFUSED LENS LED

MULTIPLE RECESSED LED 12W 



ADJUSTABLE ROTATION

Direct the light with the easy to use double swivel trim while maintaining the clean aesthetic of the multiple.

Each module is designed to swivel 0° - 25° on a double axis which creates a stunning multiple directional light.

The light can be directed to enhance or highlight a specific point in a room, a work of art, or simply direct light to bounce off the wall.



 MULTIPLE RECESSED LED 12W

30233



PG 158

30234



PG 159

30235



PG 160

30236



PG 161

30237



PG 162

MULTIPLE RECESSED LED 12W



30233

HOUSING

- Remodel housing complete with flexible mounting clips suitable for 1/2" and 5/8" drywall
- New construction plate, insulated ceiling box and airtight IC box sold separately (refer to housing options)*

TRIM

- High quality powder coated finish in white

LAMPING

- 1 x 12W Integrated LED
- TRIAC Dimming. For 0-10V and alternate dimming options consult Eurofase
- **Beam angle:** 40°
- **Horizontal adjustment:** 0° - 25°
- **Kelvin:** 3000K
- **Lumen per head:** 950lm
- **CRI:** 80+

ELECTRICAL

- Class 2 dimmable constant current driver (included)
- Driver box mates to fixture by 12" flexible BX cable and has four 3/4" knockouts for through branch circuit wiring
- Thermally protected
- **Input voltage:** 120V. For 277V and 347V input options consult Eurofase

DIMENSIONS

- **Cut hole:** 4"L x 4"W
- **Fixture:** 4 3/4"L x 4 3/4"W x 4"H

PHOTOMETRICS

- See pg 164

CUSTOMIZATION

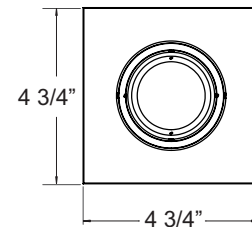
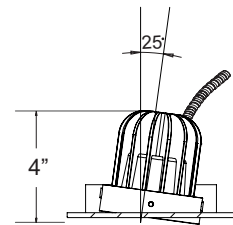
- For customization, please consult Eurofase

SPECIFICATION:



WATTS PER HEAD	LUMENS PER HEAD	KELVIN	DIMMABLE	CRI	BEAM ANGLE
12W	950lm	3000K	TRIAC	80+	40°

PRODUCT DIMENSION:



***HOUSING OPTIONS (SOLD SEPARATELY):**

Refer to page 188 for housing specification

31051-019 NEW CONSTRUCTION PLATE

31137-010 AIRTIGHT IC BOX
31056-014 INSULATED CEILING BOX



Cut Hole 4"L x 4"W
Dimension 11"L x 9"W x 1 3/8"H



Cut Hole 4"L x 4"W
Dimension 11"L x 9"W x 9 1/2"H



30234

HOUSING

- Remodel housing complete with flexible mounting clips suitable for 1/2" and 5/8" drywall
- New construction plate, insulated ceiling box and airtight IC box sold separately (refer to housing options)*

TRIM

- High quality powder coated finish in white

LAMPING

- 2 x 12W Integrated LED
- TRIAC Dimming. For 0-10V and alternate dimming options consult Eurofase
- **Beam angle:** 40°
- **Horizontal adjustment:** 0° - 25°
- **Kelvin:** 3000K
- **Lumen per head:** 950lm
- **Total lumens:** 1900lm
- **CRI:** 80+

ELECTRICAL

- Class 2 dimmable constant current driver (included)
- Driver box mates to fixture by 12" flexible BX cable and has four 3/4" knockouts for through branch circuit wiring
- Thermally protected
- **Input voltage:** 120V. For 277V and 347V input options consult Eurofase

DIMENSIONS

- **Cut hole:** 11"L x 4 1/8"W
- **Fixture:** 12"L x 4 3/4"W x 4"H

PHOTOMETRICS

- See pg 164

CUSTOMIZATION

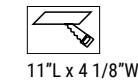
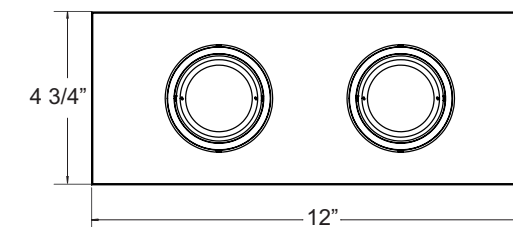
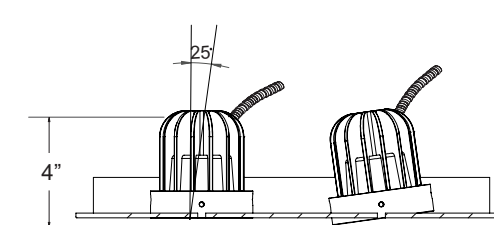
- For customization, please consult Eurofase

SPECIFICATION:



WATTS PER HEAD	LUMENS PER HEAD	KELVIN	DIMMABLE	CRI	BEAM ANGLE
12W	950lm	3000K	TRIAC	80+	40°

PRODUCT DIMENSION:



***HOUSING OPTIONS (SOLD SEPARATELY):**

Refer to page 188 for housing specification

31052-016 NEW CONSTRUCTION PLATE

31138-017 AIRTIGHT IC BOX
31057-017 INSULATED CEILING BOX



Cut Hole 11"L x 4 1/8"W
Dimension 17"L x 12 3/4"W x 1 3/8"H



Cut Hole 11"L x 4 1/8"W
Dimension 17"L x 12 3/4"W x 11 1/2"H



30235

HOUSING

- Remodel housing complete with flexible mounting clips suitable for 1/2" and 5/8" drywall
- New construction plate, insulated ceiling box and airtight IC box sold separately (refer to housing options)*

TRIM

- High quality powder coated finish in white

LAMPING

- 3 x 12W Integrated LED
- TRIAC Dimming. For 0-10V and alternate dimming options consult Eurofase
- **Beam angle:** 40°
- **Horizontal adjustment:** 0° - 25°
- **Kelvin:** 3000K
- **Lumen per head:** 950lm
- **Total lumens:** 2850lm
- **CRI:** 80+

ELECTRICAL

- Class 2 dimmable constant current driver (included)
- Driver box mates to fixture by 12" flexible BX cable and has four 3/4" knockouts for through branch circuit wiring
- Thermally protected
- **Input voltage:** 120V. For 277V and 347V input options consult Eurofase

DIMENSIONS

- **Cut hole:** 17 1/4"L x 4 1/8"W
- **Fixture:** 18"L x 4 3/4"W x 4"H

PHOTOMETRICS

- See pg 165

CUSTOMIZATION

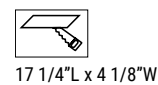
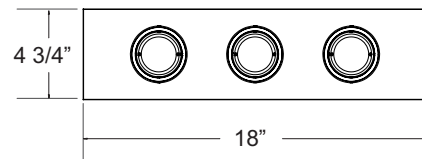
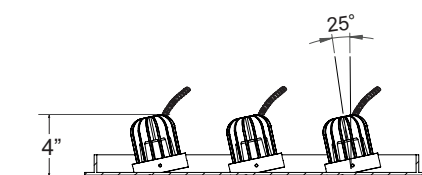
- For customization, please consult Eurofase

SPECIFICATION:



WATTS PER HEAD	LUMENS PER HEAD	KELVIN	DIMMABLE	CRI	BEAM ANGLE
12W	950lm	3000K	TRIAC	80+	40°

PRODUCT DIMENSION:



30236

HOUSING

- Remodel housing complete with flexible mounting clips suitable for 1/2" and 5/8" drywall
- New construction plate, insulated ceiling box and airtight IC box sold separately (refer to housing options)*

TRIM

- High quality powder coated finish in white

LAMPING

- 4 x 12W Integrated LED
- TRIAC Dimming. For 0-10V and alternate dimming options consult Eurofase
- **Beam angle:** 40°
- **Horizontal adjustment:** 0° - 25°
- **Kelvin:** 3000K
- **Lumen per head:** 950lm
- **Total lumens:** 3800lm
- **CRI:** 80+

ELECTRICAL

- Class 2 dimmable constant current driver (included)
- Driver box mates to fixture by 12" flexible BX cable and has four 3/4" knockouts for through branch circuit wiring
- Thermally protected
- **Input voltage:** 120V. For 277V and 347V input options consult Eurofase

DIMENSIONS

- **Cut hole:** 23 1/4"L x 4 1/8"W
- **Fixture:** 24"L x 4 3/4"W x 4"H

PHOTOMETRICS

- See pg 165

CUSTOMIZATION

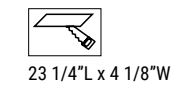
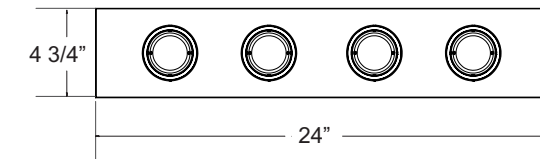
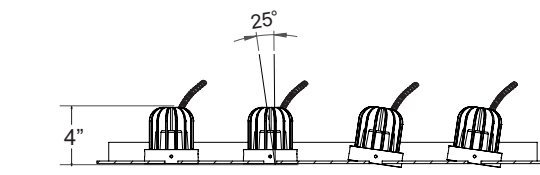
- For customization, please consult Eurofase

SPECIFICATION:



WATTS PER HEAD	LUMENS PER HEAD	KELVIN	DIMMABLE	CRI	BEAM ANGLE
12W	950lm	3000K	TRIAC	80+	40°

PRODUCT DIMENSION:



***HOUSING OPTIONS (SOLD SEPARATELY):**

Refer to page 188 for housing specification

31053-013 NEW CONSTRUCTION PLATE

31139-014 AIRTIGHT IC BOX

31058-018 INSULATED CEILING BOX



Cut Hole 17 1/4"L x 4 1/8"W
Dimension 25"L x 12"W x 1 3/8"H



Cut Hole 17 1/4"L x 4 1/8"W
Dimension 25"L x 12"W x 11 1/2"H

***HOUSING OPTIONS (SOLD SEPARATELY):**

Refer to page 188 for housing specification

31054-010 NEW CONSTRUCTION PLATE

31140-010 AIRTIGHT IC BOX

31059-015 INSULATED CEILING BOX



Cut Hole 23 1/4"L x 4 1/8"W
Dimension 32 1/2"L x 12 3/4"W x 1 3/8"H



Cut Hole 23 1/4"L x 4 1/8"W
Dimension 32 1/2"L x 12 3/4"W x 11 1/2"H

MULTIPLE RECESSED LED 12W



30237

HOUSING

- Remodel housing complete with flexible mounting clips suitable for 1/2" and 5/8" drywall
- New construction plate, insulated ceiling box and airtight IC box sold separately (refer to housing options)*

TRIM

- High quality powder coated finish in white

LAMPING

- 4 x 12W Integrated LED
- TRIAC Dimming. For 0-10V and alternate dimming options consult Eurofase
- **Beam angle:** 40°
- **Horizontal adjustment:** 0° - 25°
- **Kelvin:** 3000K
- **Lumen per head:** 950lm
- **Total lumens:** 3800lm
- **CRI:** 80+

ELECTRICAL

- Class 2 dimmable constant current driver (included)
- Driver box mates to fixture by 12" flexible BX cable and has four 3/4" knockouts
- Thermally protected
- **Input voltage:** 120V. For 277V and 347V input options consult Eurofase

DIMENSIONS

- **Cut hole:** 9 1/2"L x 9 1/2"W
- **Fixture:** 12"L x 12"W x 4"H

PHOTOMETRICS

- See pg 166

CUSTOMIZATION

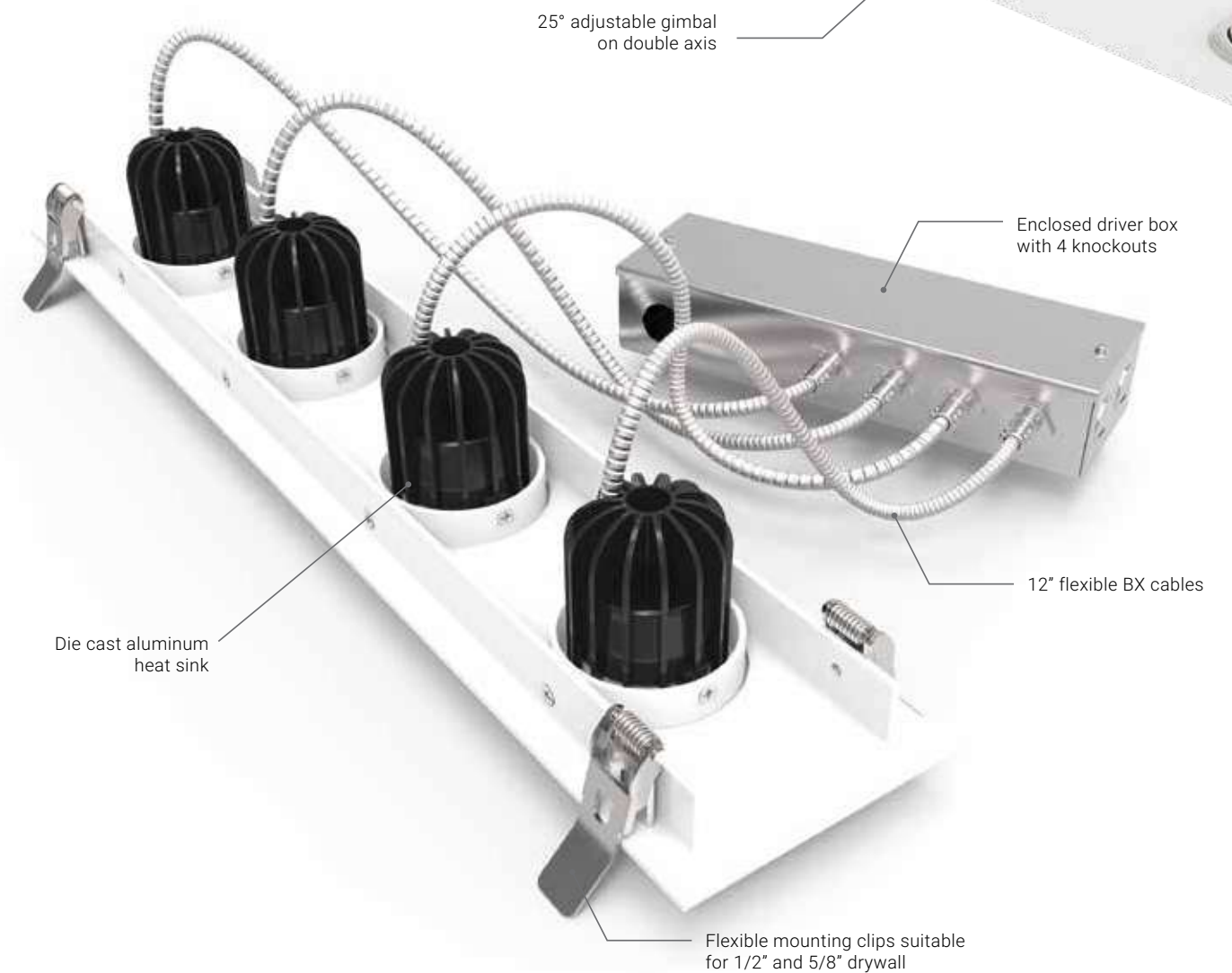
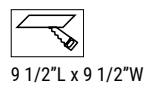
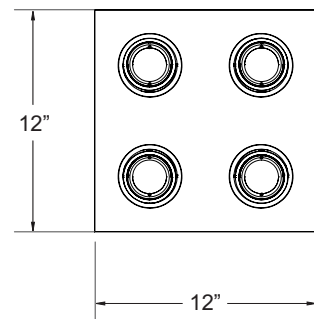
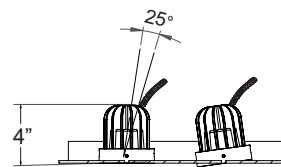
- For customization, please consult Eurofase

SPECIFICATION:



WATTS PER HEAD	LUMENS PER HEAD	KELVIN	DIMMABLE	CRI	BEAM ANGLE
12W	950lm	3000K	TRIAC	80+	40°

PRODUCT DIMENSION:



***HOUSING OPTIONS (SOLD SEPARATELY):**

Refer to page 188 for housing specification

31055-017 NEW CONSTRUCTION PLATE

31141-017 AIRTIGHT IC BOX
31060-011 INSULATED CEILING BOX



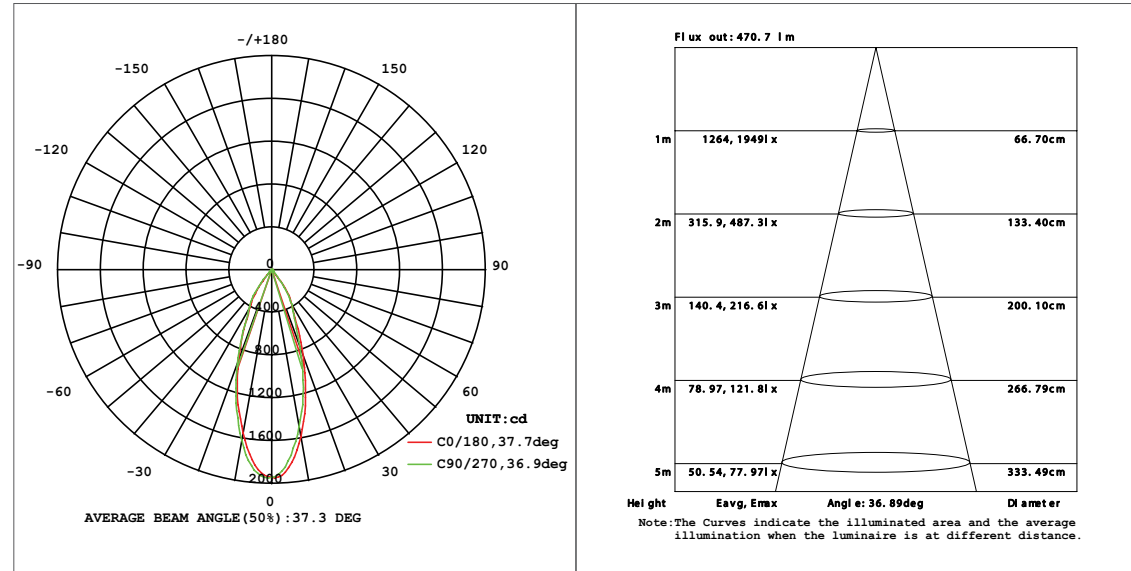
Cut Hole 9 1/2"L x 9 1/2"W
Dimension 19"L x 19"W x 1 3/8"H



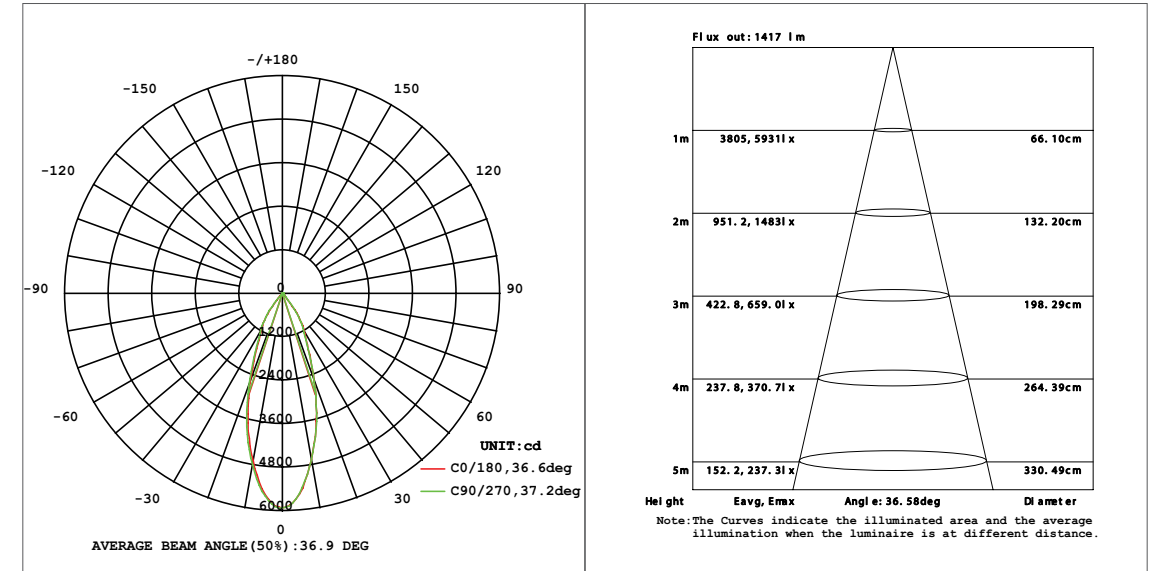
Cut Hole 9 1/2"L x 9 1/2"W
Dimension 19"L x 19"W x 11 1/2"H



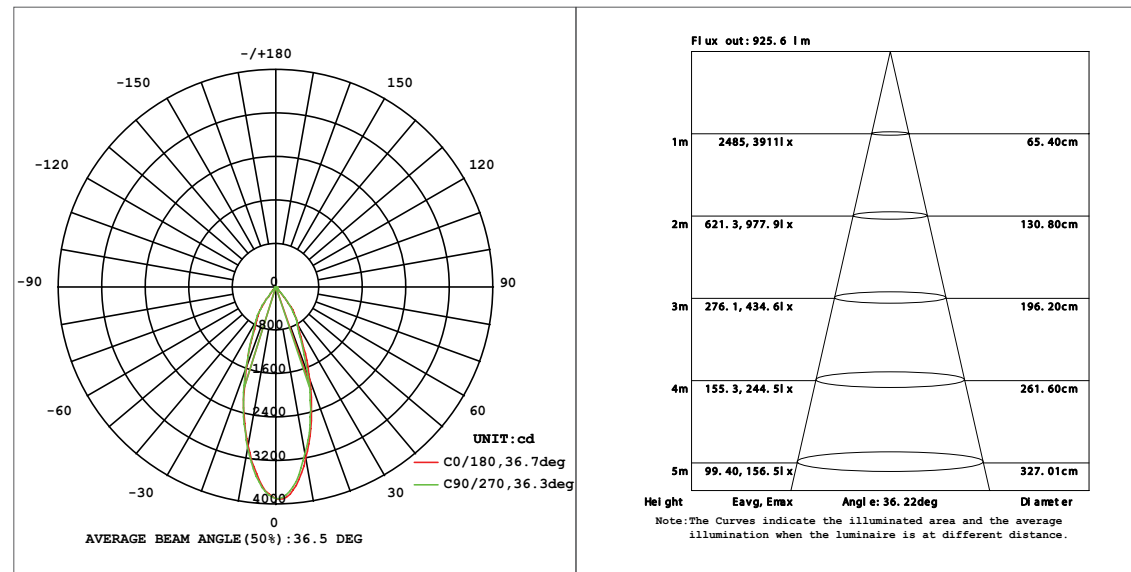
30233



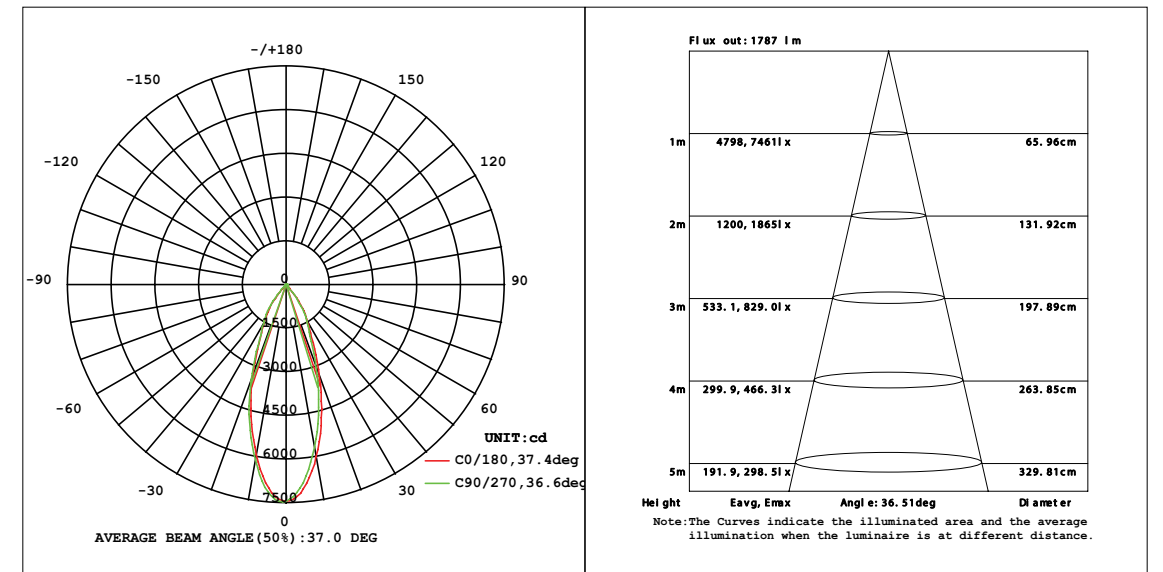
30235



30234

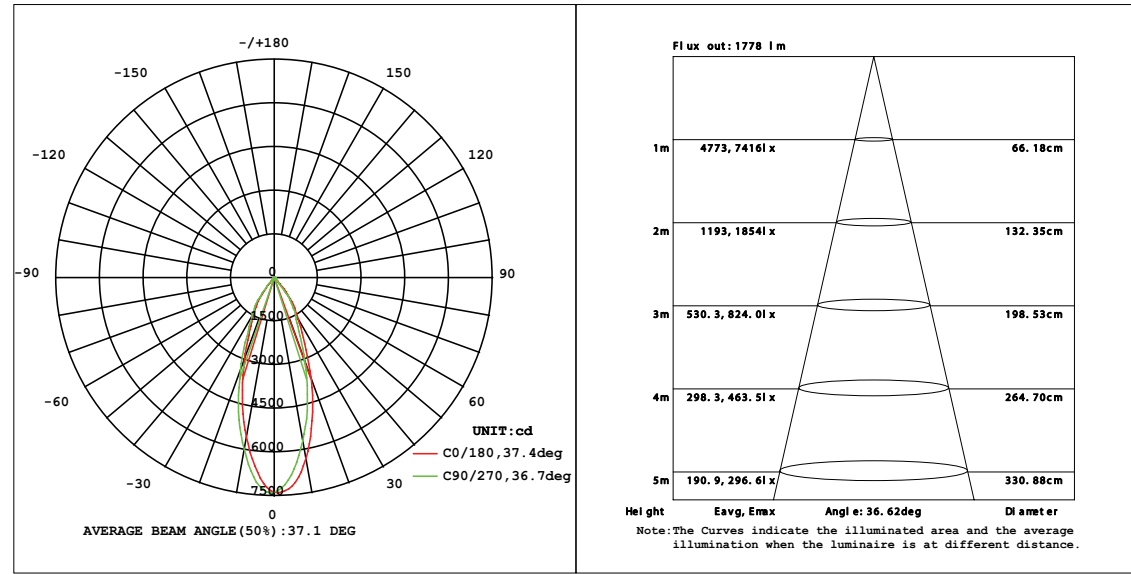


30236





30237



MULTIPLE RECESSED LED 12W



MULTIPLE
RECESSED
LINEAR
PANEL
LED



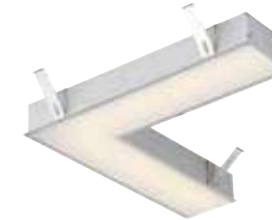
MULTIPLE RECESSED **LINEAR PANEL LED**

30345



PG 170

30346



PG 171



MULTIPLE RECESSED LINEAR PANEL LED

MULTIPLE RECESSED LINEAR PANEL LED



30345-010

HOUSING

- Mounting clips suitable for 1/2" and 5/8" drywall
- Extruded 6063 aluminum housing
- Powder coated finish

LAMPING

- 1 x 24W Integrated LED TRIAC Dimming. For 0-10V and alternate dimming options consult Eurofase
- **Beam angle:** 120°
- **Kelvin:** 3000K
- **Total lumens:** 1330lm
- **CRI:** 80+
- **IP Rating:** IP20

ELECTRICAL

- Junction box has two 1/2" and four 3/4" knockouts for through branch circuit wiring
- Thermally protected
- **Input voltage:** 120V. For 277V and 347V input options consult Eurofase

DIMENSIONS

- **Cut hole:** 47 1/4"L x 3 11/16"W
- **Fixture:** 47 1/4"L x 4"W x 2"H

CUSTOMIZATION

- For customization, please consult Eurofase

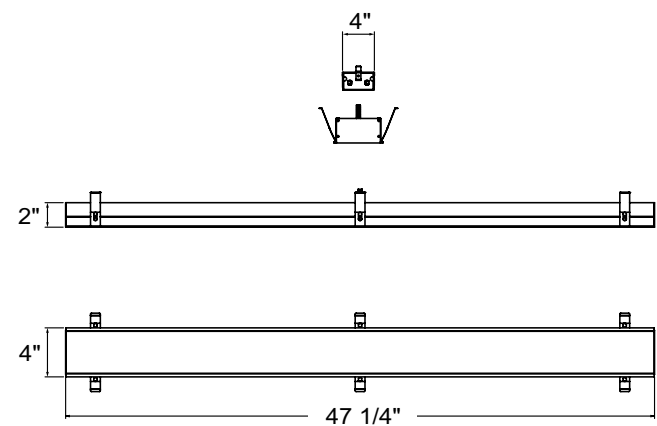


SPECIFICATION:



WATTS	LUMENS	KELVIN	DIMMABLE	CRI	BEAM ANGLE
24W	1330lm	3000K	TRIAC	80+	120°

PRODUCT DIMENSION:



47 1/4"L x 3 11/16"W



30346-017

HOUSING

- Mounting clips suitable for 1/2" and 5/8" drywall
- Extruded 6063 aluminum housing
- Powder coated finish

LAMPING

- 1 x 13W Integrated LED TRIAC Dimming. For 0-10V and alternate dimming options consult Eurofase
- **Beam angle:** 120°
- **Kelvin:** 3000K
- **Total lumens:** 720lm
- **CRI:** 80+
- **IP Rating:** IP20

ELECTRICAL

- Junction box has two 1/2" and four 3/4" knockouts for through branch circuit wiring
- Thermally protected
- **Input voltage:** 120V. For 277V and 347V input options consult Eurofase

DIMENSIONS

- **Cut hole:** 15 1/8"L (outer) x 11 9/16"L (inner) x 3 11/16"W
- **Fixture:** 15 1/4"L x 15 1/4"W x 3 1/4"H

CUSTOMIZATION

- For customization, please consult Eurofase

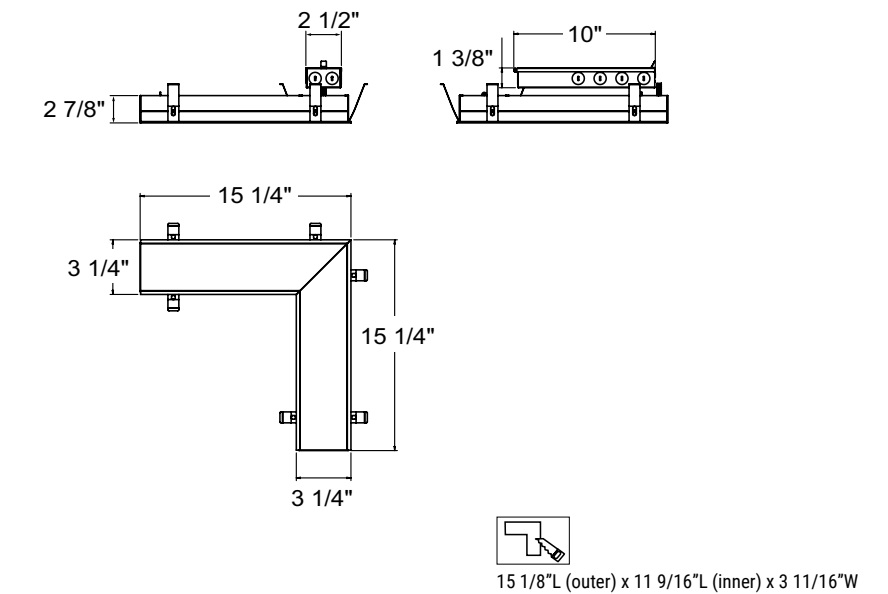


SPECIFICATION:



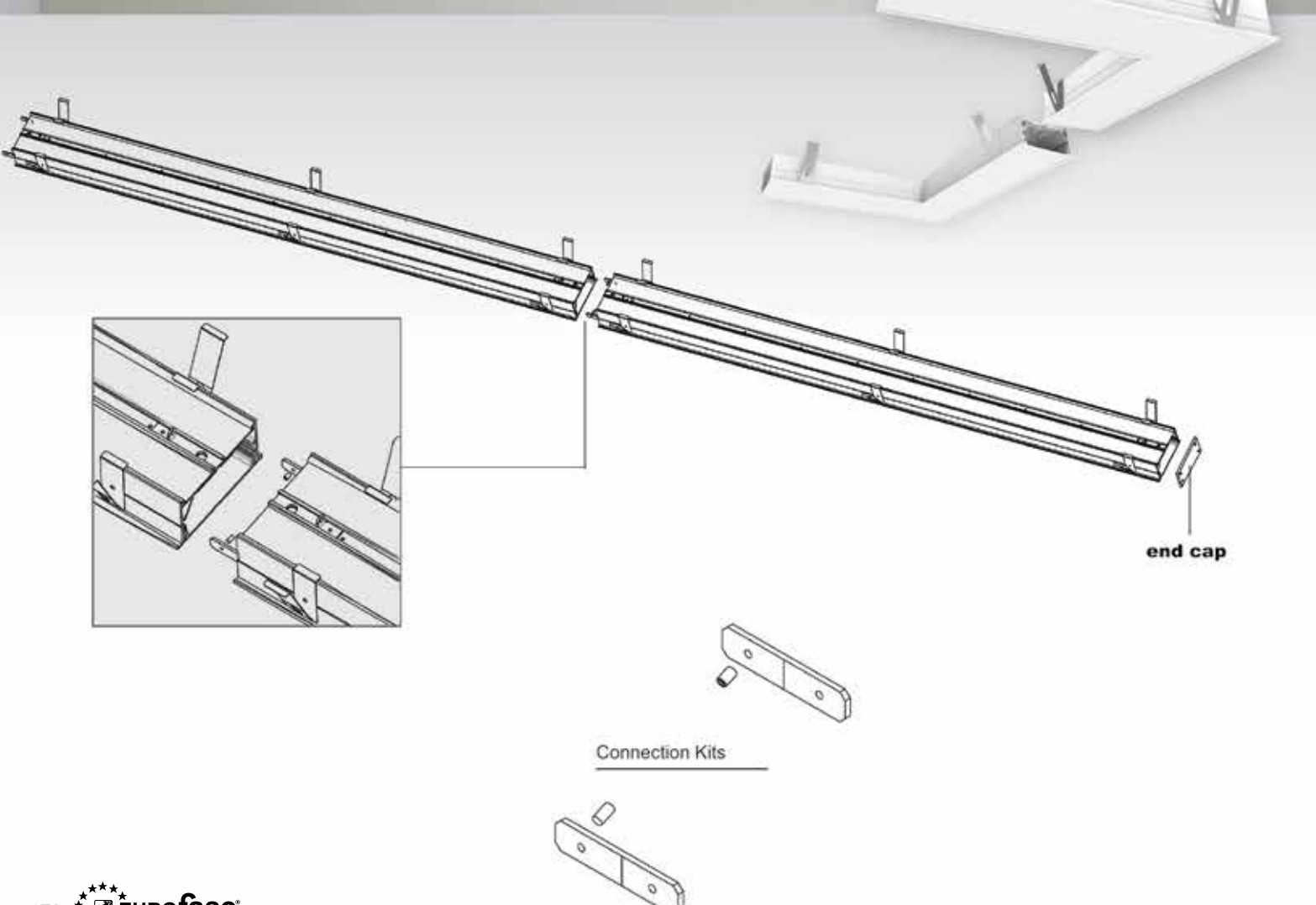
WATTS	LUMENS	KELVIN	DIMMABLE	CRI	BEAM ANGLE
13W	720lm	3000K	TRIAC	80+	120°

PRODUCT DIMENSION:



MULTIPLE RECESSED LINEAR PANEL LED

Linear Panels are great for indoor cove lighting. Available in "I" & "L" shape to make various turns and shapes. For example; U shape, square shape or any shape with right angle, makes application more user friendly.







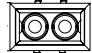


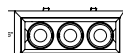




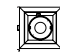








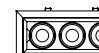


INSTALLATION STEPS










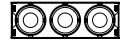













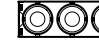


AMIGO LED 15W

AMIGO LED 26W




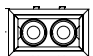


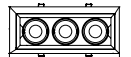


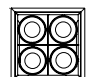

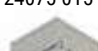
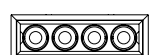


LED 15W TRIM					
	REMODEL #	NEW CONSTRUCTION PLATE	AIRTIGHT IC BOX* INSULATED CEILING BOX**		
1-LT 	28721 28722	30535-015 	CUTHOLE: 3 1/4"L x 3 1/4"W SIZE: 11"L x 9"W x 1 3/8"H	30531-021* 30531-017** 	CUTHOLE: 3 1/4"L x 3 1/4"W SIZE: 11"L x 9"W x 9 1/2"H
1-LT 	28719 28720	30534-018 	CUTHOLE: ø3 1/4" SIZE: 11"L x 9"W x 1 3/8"H	30530-026* 30530-010** 	CUTHOLE: ø3 1/4" SIZE: 11"L x 9"W x 9 1/2"H
2-LT 	31765 31763	31877-015 	CUTHOLE: 6 13/16"L x 3 3/8"W SIZE: 17"L x 12 3/4"W x 1 3/8"H	31879-023* 31879-019** 	CUTHOLE: 6 13/16"L x 3 3/8"W SIZE: 17"L x 12 3/4"W x 11 1/2"H
3-LT 	31766 31764	31878-012 	CUTHOLE: 10 1/4"L x 3 3/8"W SIZE: 25"L x 12"W x 1 3/8"H	31880-026* 31880-015** 	CUTHOLE: 10 1/4"L x 3 3/8"W SIZE: 25"L x 12"W x 11 1/2"H




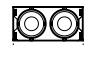


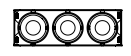


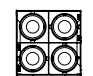


LED 26W TRIM					
	REMODEL #	NEW CONSTRUCTION PLATE	AIRTIGHT IC BOX* INSULATED CEILING BOX**		
1-LT 	35137 35138	36202-010 	CUTHOLE: 6 1/4"L x 6 1/4"W SIZE: 12 3/4"L x 12 3/4"W x 1 3/8"H	36203-017* 36204-014** 	CUTHOLE: 6 1/4"L x 6 1/4"W SIZE: 12 3/4"L x 12 3/4"W x 11 1/2"H
1-LT 	35141 35142	36205-011 	CUTHOLE: ø6 1/4" SIZE: 12 3/4"L x 12 3/4"W x 1 3/8"H	36206-018* 36207-015** 	CUTHOLE: ø6 1/4" SIZE: 12 3/4"L x 12 3/4"W x 11 1/2"H
2-LT 	35145 35146	36208-012 	CUTHOLE: 12 1/4"L x 6"W SIZE: 18 1/4"L x 12 3/4"W x 1 3/8"H	36209-019* 36210-015** 	CUTHOLE: 12 1/4"L x 6"W SIZE: 18 1/4"L x 12 3/4"W x 11 1/2"H
3-LT 	35147 35148	36211-012 	CUTHOLE: 18 1/2"L x 6"W SIZE: 24"L x 12 3/4"W x 1 3/8"H	36212-019* 36213-016** 	CUTHOLE: 18 1/2"L x 6"W SIZE: 24"L x 12 3/4"W x 11 1/2"H

LED 15W TRIMLESS					
	REMODEL #	NEW CONSTRUCTION PLATE	AIRTIGHT IC BOX* INSULATED CEILING BOX**		
1-LT 	28717 28718	30536-012 	CUTHOLE: 3"L x 3"W SIZE: 11"L x 9"W x 1 3/8"H	30532-023* 30532-014** 	CUTHOLE: 3"L x 3"W SIZE: 11"L x 9"W x 9 1/2"H
1-LT 	28715 28716	30537-019 	CUTHOLE: ø3" SIZE: 11"L x 9"W x 1 3/8"H	30533-028* 30533-011** 	CUTHOLE: ø3" SIZE: 11"L x 9"W x 9 1/2"H
2-LT 	36024 36025	36226-016 	CUTHOLE: 6 1/2"L x 3"W SIZE: 17"L x 12 3/4"W x 1 3/8"H	36227-013* 36228-010** 	CUTHOLE: 6 1/2"L x 3"W SIZE: 17"L x 12 3/4"W x 11 1/2"H
3-LT 	36026 36027	36229-017 	CUTHOLE: 10"L x 3"W SIZE: 25"L x 12"W x 1 3/8"H	36230-013* 36231-010** 	CUTHOLE: 10"L x 3"W SIZE: 25"L x 12"W x 11 1/2"H

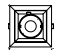


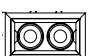


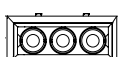


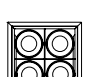




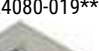
LED 26W TRIMLESS					
	REMODEL #	NEW CONSTRUCTION PLATE	AIRTIGHT IC BOX* INSULATED CEILING BOX**		
1-LT 	35139 35140	36214-013 	CUTHOLE: 6"L x 6"W SIZE: 12 3/4"L x 12 3/4"W x 1 3/8"H	36215-010* 36216-017** 	CUTHOLE: 6"L x 6"W SIZE: 12 3/4"L x 12 3/4"W x 11 1/2"H
1-LT 	35143 35144	36217-014 	CUTHOLE: ø6" SIZE: 12 3/4"L x 12 3/4"W x 1 3/8"H	36218-011* 36219-018** 	CUTHOLE: ø6" SIZE: 12 3/4"L x 12 3/4"W x 11 1/2"H
2-LT 	35355 35356	36220-014 	CUTHOLE: 12 1/4"L x 6"W SIZE: 18 1/4"L x 12 3/4"W x 1 3/8"H	36221-011* 36222-018** 	CUTHOLE: 12 1/4"L x 6"W SIZE: 18 1/4"L x 12 3/4"W x 11 1/2"H
3-LT 	35357 35358	36223-015 	CUTHOLE: 18 5/8"L x 6 1/8"W SIZE: 24"L x 12 3/4"W x 1 3/8"H	36224-012* 36225-019** 	CUTHOLE: 18 5/8"L x 6 1/8"W SIZE: 24"L x 12 3/4"W x 11 1/2"H







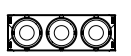


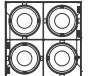


LED 15W

LED 15W TRIM					
	REMODEL #	NEW CONSTRUCTION PLATE		AIRTIGHT IC BOX* INSULATED CEILING BOX**	
1-LT 	TE161LED	24051-019 	CUTHOLE: 5 1/8"L x 5 1/8"W SIZE: 12 3/4"L x 11 1/4"W x 1 3/8"H	30366-015* 24071-017** 	CUTHOLE: 5 1/8"L x 5 1/8"W SIZE: 12 3/4"L x 11 1/4"W x 11 1/2"H
2-LT 	TE162LED	24052-016 	CUTHOLE: 9 1/2"L x 5 1/8"W SIZE: 17"L x 12 3/4"W x 1 3/8"H	30367-012* 24072-014** 	CUTHOLE: 9 1/2"L x 5 1/8"W SIZE: 17"L x 12 3/4"W x 11 1/2"H
3-LT 	TE163LED	24053-013 	CUTHOLE: 13 3/8"L x 5 1/8"W SIZE: 22"L x 12 3/4"W x 1 3/8"H	30368-019* 24073-011** 	CUTHOLE: 13 3/8"L x 5 1/8"W SIZE: 22"L x 12 3/4"W x 11 1/2"H
4-LT SQ 	TE164BLED	24055-017 	CUTHOLE: 9 1/2"L x 9 1/2"W SIZE: 24"L x 18"W x 1 3/8"H	30370-012* 24075-015** 	CUTHOLE: 9 1/2"L x 9 1/2"W SIZE: 24"L x 18"W x 11 1/2"H
4-LT LINEAR 	TE164ALED	24054-010 	CUTHOLE: 17 1/2"L x 5 1/8"W SIZE: 26"L x 12 3/4"W x 1 3/8"H	30369-016* 24074-018** 	CUTHOLE: 17 1/2"L x 5 1/8"W SIZE: 26"L x 12 3/4"W x 11 1/2"H

LED 15W TRIMLESS					
	REMODEL #	NEW CONSTRUCTION PLATE		AIRTIGHT IC BOX* INSULATED CEILING BOX**	
1-LT 	TE611LED	24063-012 	CUTHOLE: 4 3/16"L x 4 3/16"W SIZE: 11"L x 8 7/8"W x 1 3/8"H	30378-018* 24083-010** 	CUTHOLE: 4 3/16"L x 4 3/16"W SIZE: 11"L x 8 7/8"W x 9 1/2"H
2-LT 	TE612LED	24064-019 	CUTHOLE: 8 9/16"L x 4 3/16"W SIZE: 17"L x 8 7/8"W x 1 3/8"H	30379-015* 24084-017** 	CUTHOLE: 8 9/16"L x 4 3/16"W SIZE: 17"L x 8 7/8"W x 9 1/2"H
3-LT 	TE613LED	24065-016 	CUTHOLE: 12 7/16"L x 4 3/16"W SIZE: 19 3/4"L x 8 3/4"W x 1 3/8"H	30380-011* 24085-014** 	CUTHOLE: 12 7/16"L x 4 3/16"W SIZE: 19 3/4"L x 8 3/4"W x 9 1/2"H
4-LT SQ 	TE614BLED	24066-020 	CUTHOLE: 8 9/16"L x 8 9/16"W SIZE: 24"L x 18"W x 1 3/8"H	30382-015* 24086-028** 	CUTHOLE: 8 9/16"L x 8 9/16"W SIZE: 24"L x 18"W x 11 1/2"H







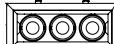





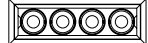


LED 26W

LED 26W TRIM					
	REMODEL #	NEW CONSTRUCTION PLATE		AIRTIGHT IC BOX* INSULATED CEILING BOX**	
1-LT 	TE131LED	24057-011 	CUTHOLE: 6 3/4"L x 6 3/4"W SIZE: 12 3/4"L x 12 3/4"W x 1 3/8"H	30372-016* 24077-019** 	CUTHOLE: 6 3/4"L x 6 3/4"W SIZE: 12 3/4"L x 12 3/4"W x 11 1/2"H
2-LT 	TE132LED	24058-018 	CUTHOLE: 12 3/4"L x 6 3/4"W SIZE: 20 1/4"L x 12 3/4"W x 1 3/8"H	30373-013* 24078-016** 	CUTHOLE: 12 3/4"L x 6 3/4"W SIZE: 20 1/4"L x 12 3/4"W x 11 1/2"H
3-LT 	TE133LED	24059-015 	CUTHOLE: 18"L x 6 3/4"W SIZE: 27 1/4"L x 12 3/4"W x 1 3/8"H	30374-010* 24079-013** 	CUTHOLE: 18"L x 6 3/4"W SIZE: 27 1/4"L x 12 3/4"W x 11 1/2"H
4-LT SQ 	TE134BLED	24061-018 	CUTHOLE: 12 3/4"L x 12 3/4"W SIZE: 20"L x 18"W x 1 3/8"H	30376-014* 24081-016** 	CUTHOLE: 12 3/4"L x 12 3/4"W SIZE: 20"L x 18"W x 11 1/2"H
4-LT LINEAR 	TE134ALED	24060-011 	CUTHOLE: 23 5/8"L x 6 3/4"W SIZE: 34"L x 12 3/4"W x 1 3/8"H	30375-017* 24080-019** 	CUTHOLE: 23 5/8"L x 6 3/4"W SIZE: 34"L x 12 3/4"W x 11 1/2"H

LED 26W TRIMLESS					
	REMODEL #	NEW CONSTRUCTION PLATE		AIRTIGHT IC BOX* INSULATED CEILING BOX**	
1-LT 	TE221LED	24067-010 	CUTHOLE: 6 1/2"L x 6 1/2"W SIZE: 12 3/4"L x 12 3/4"W x 1 3/8"H	30383-012* 24087-018** 	CUTHOLE: 6 1/2"L x 6 1/2"W SIZE: 12 3/4"L x 12 3/4"W x 11 1/2"H
2-LT 	TE222LED	24068-017 	CUTHOLE: 12 1/2"L x 6 1/2"W SIZE: 18 1/4"L x 12 3/4"W x 1 3/8"H	30384-019* 24088-015** 	CUTHOLE: 12 1/2"L x 6 1/2"W SIZE: 18 1/4"L x 12 3/4"W x 9 1/2"H
3-LT 	TE223LED	24069-014 	CUTHOLE: 18 5/8"L x 6 1/2"W SIZE: 24"L x 12 3/4"W x 1 3/8"H	30385-016* 24089-012** 	CUTHOLE: 18 5/8"L x 6 1/2"W SIZE: 24"L x 12 3/4"W x 11 1/2"H
4-LT SQ 	TE224BLED	24070-010 	CUTHOLE: 13"L x 13"W SIZE: 20"L x 18"W x 1 3/8"H	30386-013* 24090-018** 	CUTHOLE: 13"L x 13"W SIZE: 20"L x 18"W x 11 1/2"H













GU10



GU10 TRIM					
	REMODEL #	NEW CONSTRUCTION PLATE		AIRTIGHT IC BOX* INSULATED CEILING BOX**	
1-LT 	TE111GU10	24051-019 	CUTHOLE: 5 1/8"L x 5 1/8"W SIZE: 11 1/4"L x 12 3/4"W x 1 3/8"H	30366-015* 24071-017** 	CUTHOLE: 5 1/8"L x 5 1/8"W SIZE: 11 1/4"L x 12 3/4"W x 11 1/2"H
2-LT 		24052-016 	CUTHOLE: 9 1/2"L x 5 1/8"W SIZE: 17"L x 12 3/4"W x 1 3/8"H	30367-012* 24072-014** 	CUTHOLE: 9 1/2"L x 5 1/8"W SIZE: 17"L x 12 3/4"W x 11 1/2"H
3-LT 	TE113GU10	24053-013 	CUTHOLE: 13 5/8"L x 5 1/8"W SIZE: 22"L x 12 3/4"W x 1 3/8"H	30368-019* 24073-011** 	CUTHOLE: 13 5/8"L x 5 1/8"W SIZE: 22"L x 12 3/4"W x 11 1/2"H
4-LT SQ 		24055-017 	CUTHOLE: 9 1/2"L x 9 1/2"W SIZE: 24"L x 18"W x 1 3/8"H	30370-012* 24075-015** 	CUTHOLE: 9 1/2"L x 9 1/2"W SIZE: 24"L x 18"W x 11 1/2"H
4-LT LINEAR 	TE114AGU10	24054-010 	CUTHOLE: 17 1/2"L x 5 1/8"W SIZE: 26"L x 12 3/4"W x 1 3/8"H	30369-016* 24074-018** 	CUTHOLE: 17 1/2"L x 5 1/8"W SIZE: 26"L x 12 3/4"W x 11 1/2"H


GU10



GU10 TRIMLESS					
	REMODEL #	NEW CONSTRUCTION PLATE		AIRTIGHT IC BOX* INSULATED CEILING BOX**	
1-LT 	TE211GU10	24063-012 	CUTHOLE: 4 3/16"L x 4 3/16"W SIZE: 11"L x 9"W x 1 3/8"H	30378-018* 24083-010** 	CUTHOLE: 4 3/16"L x 4 3/16"W SIZE: 11"L x 9"W x 9 1/2"H
2-LT 		24064-019 	CUTHOLE: 8 5/8"L x 4 3/16"W SIZE: 17"L x 8 3/4"W x 1 3/8"H	30379-015* 24084-017** 	CUTHOLE: 8 5/8"L x 4 3/16"W SIZE: 17"L x 8 3/4"W x 9 1/2"H
3-LT 	TE213GU10	24065-016 	CUTHOLE: 12 5/8"L x 4 3/16"W SIZE: 19 3/4"L x 8 3/4"W x 1 3/8"H	30379-015* 24085-014** 	CUTHOLE: 12 5/8"L x 4 3/16"W SIZE: 19 3/4"L x 8 3/4"W x 9 1/2"H
4-LT SQ 		24066-020 	CUTHOLE: 8 9/16"L x 8 9/16"W SIZE: 20"L x 18"W x 1 3/8"H	30382-015* 24086-028** 	CUTHOLE: 8 9/16"L x 8 9/16"W SIZE: 20"L x 18"W x 11 1/2"H




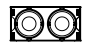


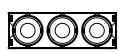


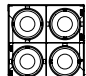

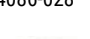
MR16



MR16 TRIM				
	REMODEL #	NEW CONSTRUCTION PLATE	AIRTIGHT IC BOX* INSULATED CEILING BOX**	
1-LT 	TE111TR	24051-019  CUTHOLE: 5 1/8"L x 5 1/8"W SIZE: 11 1/4"L x 12 3/4"W x 1 3/8"H	30366-015* 24071-017** 	CUTHOLE: 5 1/8"L x 5 1/8"W SIZE: 11 1/4"L x 12 3/4"W x 11 1/2"H
2-LT 	TE112TR	24052-016  CUTHOLE: 9 1/2"L x 5 1/8"W SIZE: 17"L x 12 3/4"W x 1 3/8"H	30367-012* 24072-014** 	CUTHOLE: 9 1/2"L x 5 1/8"W SIZE: 17"L x 12 3/4"W x 11 1/2"H
3-LT 	TE113TR	24053-013  CUTHOLE: 13 5/8"L x 5 1/8"W SIZE: 22"L x 12 3/4"W x 1 3/8"H	30368-019* 24073-011** 	CUTHOLE: 13 5/8"L x 5 1/8"W SIZE: 22"L x 12 3/4"W x 11 1/2"H
4-LT SQ 	TE114BTR	24055-017  CUTHOLE: 9 1/2"L x 9 1/2"W SIZE: 24"L x 18"W x 1 3/8"H	30370-012* 24075-015** 	CUTHOLE: 9 1/2"L x 9 1/2"W SIZE: 24"L x 18"W x 11 1/2"H
4-LT LINEAR 	TE114ATR	24054-010  CUTHOLE: 17 1/2"L x 5 1/8"W SIZE: 26"L x 12 3/4"W x 1 3/8"H	30369-016* 24074-018** 	CUTHOLE: 17 1/2"L x 5 1/8"W SIZE: 26"L x 12 3/4"W x 11 1/2"H
6-LT 	TE116ATR	24056-014  CUTHOLE: 25 5/16"L x 5 1/8"W SIZE: 37 1/2"L x 12 3/4"W x 1 3/8"H	30371-019* 24076-012** 	CUTHOLE: 25 5/16"L x 5 1/8"W SIZE: 37 1/2"L x 12 3/4"W x 11 1/2"H

MR16




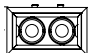


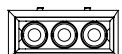





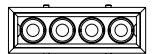


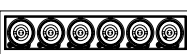




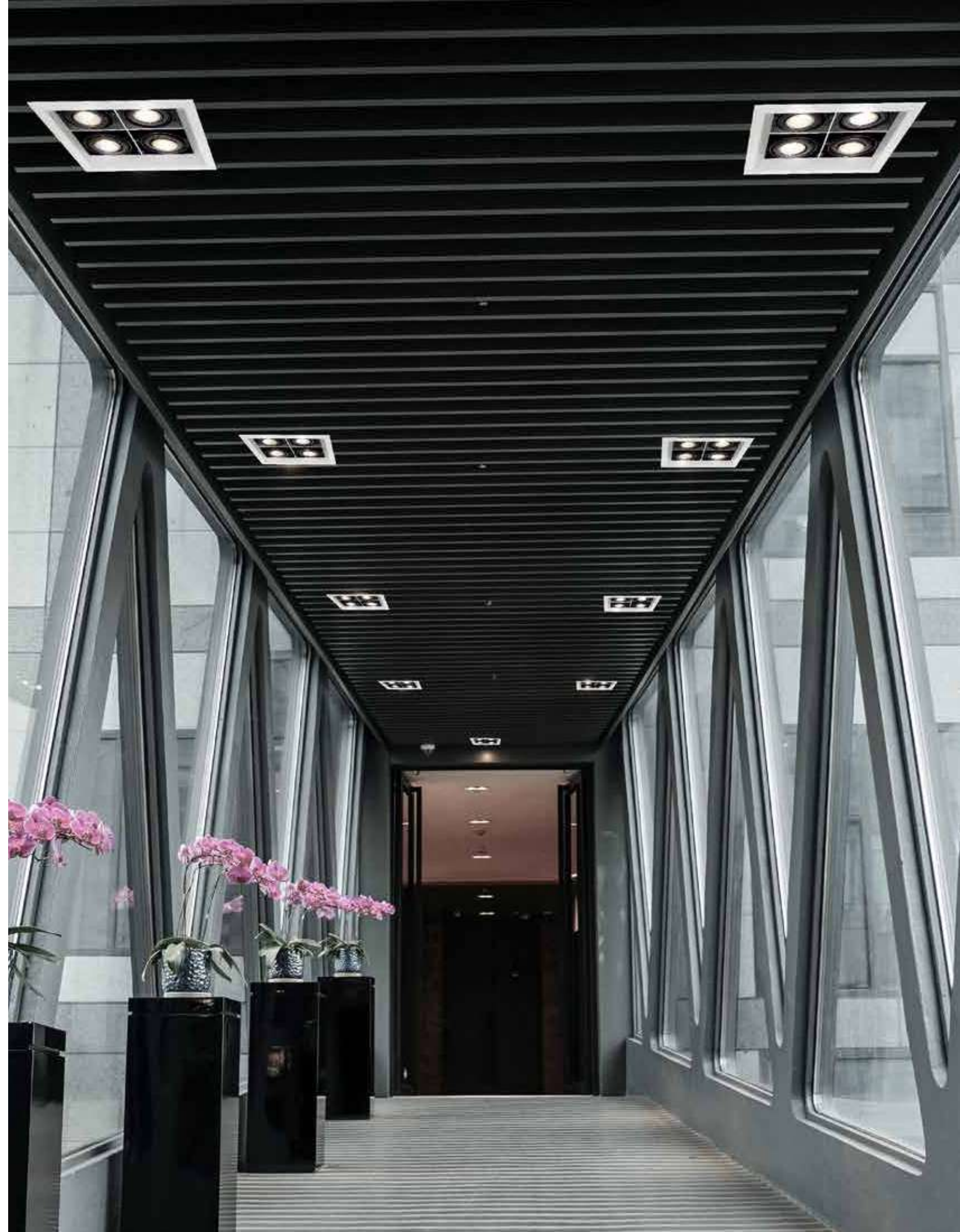
MR16 TRIMLESS				
	REMODEL #	NEW CONSTRUCTION PLATE	AIRTIGHT IC BOX* INSULATED CEILING BOX**	
1-LT 	TE211TR	24063-012  CUTHOLE: 4 3/16"L x 4 3/16"W SIZE: 11"L x 9"W x 1 3/8"H	30378-018* 24083-010** 	CUTHOLE: 4 3/16"L x 4 3/16"W SIZE: 11"L x 9"W x 9 1/2"H
2-LT 	TE212TR	24064-019  CUTHOLE: 8 9/16"L x 4 3/16"W SIZE: 14 3/4"L x 9 1/4"W x 1 3/8"H	30378-018* 24084-017** 	CUTHOLE: 8 9/16"L x 4 3/16"W SIZE: 14 3/4"L x 9 1/4"W x 9 1/2"H
3-LT 	TE213TR	24065-016  CUTHOLE: 12 5/8"L x 4 3/16"W SIZE: 19 3/4"L x 8 3/4"W x 1 3/8"H	30380-011* 24085-014** 	CUTHOLE: 12 5/8"L x 4 3/16"W SIZE: 19 3/4"L x 8 3/4"W x 9 1/2"H
4-LT SQ 	TE214BTR	24066-013  CUTHOLE: 8 1/4"L x 8 1/4"W SIZE: 20"L x 18"W x 1 3/8"H	30381-018* 24086-028** 	CUTHOLE: 8 1/4"L x 8 1/4"W SIZE: 20"L x 18"W x 11 1/2"H

PAR20



*LED COMPATIBLE

PAR20 TRIM					
	REMODEL #	NEW CONSTRUCTION PLATE		AIRTIGHT IC BOX* INSULATED CEILING BOX**	
1-LT 	TE161	24051-019 	CUTHOLE: 5 1/8"L x 5 1/8"W SIZE: 11 1/4" x 12 3/4"W x 1 3/8"H	30366-015* 24071-017** 	CUTHOLE: 5 1/8"L x 5 1/8"W SIZE: 11 1/4" x 12 3/4"W x 1 1/2"H
2-LT 		24052-016 	CUTHOLE: 9 1/2"L x 5 1/8"W SIZE: 17"L x 12 3/4"W x 1 3/8"H	30367-012* 24072-014** 	CUTHOLE: 9 1/2"L x 5 1/8"W SIZE: 17"L x 12 3/4"W x 1 1/2"H
3-LT 	TE163	24053-013 	CUTHOLE: 13 1/2"L x 5 3/16"W SIZE: 22"L x 12 3/4"W x 1 3/8"H	30368-019* 24073-011** 	CUTHOLE: 13 1/2"L x 5 3/16"W SIZE: 22"L x 12 3/4"W x 1 1/2"H
4-LT SQ 		24055-017 	CUTHOLE: 9 1/2"L x 9 1/2"W SIZE: 24"L x 18"W x 1 3/8"H	30370-012* 24075-015** 	CUTHOLE: 9 1/2"L x 9 1/2"W SIZE: 24"L x 18"W x 1 1/2"H
4-LT LINEAR 	TE164A	24054-010 	CUTHOLE: 17 1/2"L x 5 1/8"W SIZE: 26"L x 12 3/4"W x 1 3/8"H	30369-016* 24074-018** 	CUTHOLE: 17 1/2"L x 5 1/8"W SIZE: 26"L x 12 3/4"W x 1 1/2"H
6-LT 		24056-014 	CUTHOLE: 25 5/16"L x 5 1/8"W SIZE: 37 1/2"L x 12 3/4"W x 1 3/8"H	30371-019* 24076-012** 	CUTHOLE: 25 5/16"L x 5 1/8"W SIZE: 37 1/2"L x 12 3/4"W x 1 1/2"H




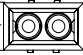





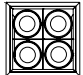


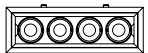


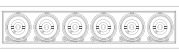







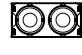


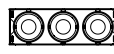


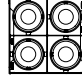


PAR30



PAR30




PAR30 TRIM					
	REMOD-EL #	NEW CONSTRUCTION PLATE		AIRTIGHT IC BOX* INSULATED CEILING BOX**	
1-LT 	TE131	24057-011 	CUTHOLE: 6 3/4"L x 6 3/4"W SIZE: 12 3/4"L x 12 3/4"W x 1 3/8"H	30372-016* 24077-019** 	CUTHOLE: 6 3/4"L x 6 3/4"W SIZE: 12 3/4"L x 12 3/4"W x 11 1/2"H
2-LT 		24058-018 	CUTHOLE: 12 3/4"L x 6 3/4"W SIZE: 20 1/4"L x 12 3/4"W x 1 3/8"H	30373-013* 24078-016** 	CUTHOLE: 12 3/4"L x 6 3/4"W SIZE: 20 1/4"L x 12 3/4"W x 11 1/2"H
3-LT 	TE133	24059-015 	CUTHOLE: 18"L x 6 3/4"W SIZE: 27 1/4"L x 12 3/4"W x 1 3/8"H	30374-010* 24079-013** 	CUTHOLE: 18"L x 6 3/4"W SIZE: 27 1/4"L x 12 3/4"W x 11 1/2"H
4-LT SQ 		24061-018 	CUTHOLE: 12 3/4"L x 12 3/4"W SIZE: 20"L x 18"W x 1 3/8"H	30376-014* 24081-016** 	CUTHOLE: 12 3/4"L x 12 3/4"W SIZE: 20"L x 18"W x 11 1/2"H
4-LT LINEAR 	TE134A	24060-011 	CUTHOLE: 23 1/2"L x 6 3/4"W SIZE: 24"L x 12 3/4"W x 1 3/8"H	30375-017* 24080-019** 	CUTHOLE: 23 1/2"L x 6 3/4"W SIZE: 24"L x 12 3/4"W x 11 1/2"H
6-LT 		24062-015 	CUTHOLE: 34 1/2"L x 6 3/4"W SIZE: 43 1/2"L x 12 3/4"W x 1 3/8"H	30377-011* 24082-013** 	CUTHOLE: 34 1/2"L x 6 3/4"W SIZE: 43 1/2"L x 12 3/4"W x 11 1/2"H

PAR30 TRIMLESS					
	REMODEL #	NEW CONSTRUCTION PLATE		AIRTIGHT IC BOX* INSULATED CEILING BOX**	
1-LT 	TE221	31421-010 	CUTHOLE: 6"L x 6"W SIZE: 12 3/4"L x 12 3/4"W x 1 3/8"H	31423-014* 31422-017** 	CUTHOLE: 6"L x 6"W SIZE: 12 3/4"L x 12 3/4"W x 11 1/2"H
2-LT 		31424-011 	CUTHOLE: 11 9/16"L x 6"W SIZE: 18 1/4"L x 12 3/4"W x 1 3/8"H	31426-015* 31425-018** 	CUTHOLE: 11 9/16"L x 6"W SIZE: 18 1/4"L x 12 3/4"W x 11 1/2"H
3-LT 	TE223	31427-015 	CUTHOLE: 17"L x 6"W SIZE: 24"L x 12 3/4"W x 1 3/8"H	31429-016* 31428-019** 	CUTHOLE: 17"L x 6"W SIZE: 24"L x 12 3/4"W x 11 1/2"H
4-LT SQ 		31430-012 	CUTHOLE: 11 5/8"L x 11 5/8"W SIZE: 20"L x 18"W x 1 3/8"H	31432-016* 31431-019** 	CUTHOLE: 11 5/8"L x 11 5/8"W SIZE: 20"L x 18"W x 11 1/2"H




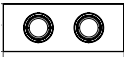





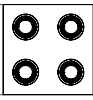





PULLDOWN

DIFFUSED LENS

LED PULL DOWN					
	REMODEL #	NEW CONSTRUCTION PLATE		AIRTIGHT IC BOX* INSULATED CEILING BOX**	
1-LT 	30297	24051-019 	CUTHOLE: 5 1/8"L x 5 1/8"W SIZE: 11 1/4" x 12 3/4"W x 1 3/8"H	30366-015* 24071-017** 	CUTHOLE: 5 1/8"L x 5 1/8"W SIZE: 11 1/4" x 12 3/4"W x 1 1/2"H
2-LT 	30298	24052-016 	CUTHOLE: 9 1/2"L x 5 1/8"W SIZE: 17"L x 12 3/4"W x 1 3/8"H	30367-012* 24072-014** 	CUTHOLE: 9 1/2"L x 5 1/8"W SIZE: 17"L x 12 3/4"W x 1 1/2"H
3-LT 	30299	24053-013 	CUTHOLE: 13 3/8"L x 5 1/8"W SIZE: 22"L x 12 3/4"W x 1 3/8"H	30368-019* 24073-011** 	CUTHOLE: 13 3/8"L x 5 1/8"W SIZE: 22"L x 12 3/4"W x 1 1/2"H
4-LT SQ 	30301	24055-017 	CUTHOLE: 9 1/2"L x 9 1/2"W SIZE: 24"L x 18"W x 1 3/8"H	30370-012* 24075-015** 	CUTHOLE: 9 1/2"L x 9 1/2"W SIZE: 24"L x 18"W x 1 1/2"H
4-LT LINEAR 	30300	24054-010 	CUTHOLE: 17 3/8"L x 5 1/8"W SIZE: 26"L x 12 3/4"W x 1 3/8"H	30369-016* 24074-018** 	CUTHOLE: 17 3/8"L x 5 1/8"W SIZE: 26"L x 12 3/4"W x 1 1/2"H
6-LT LINEAR 	30302	24056-014 	CUTHOLE: 25 1/4"L x 5 1/8"W SIZE: 37 1/2"L x 12 3/4"W x 1 3/8"H	30371-019* 24076-012** 	CUTHOLE: 25 1/4"L x 5 1/8"W SIZE: 37 1/2"L x 12 3/4"W x 1 1/2"H

LED DIFFUSED					
	REMODEL #	NEW CONSTRUCTION PLATE		AIRTIGHT IC BOX* INSULATED CEILING BOX**	
1-LT 	30303	24051-019 	CUTHOLE: 5 1/8"L x 5 1/8"W SIZE: 11 1/4"L x 12 3/4"W x 1 3/8"H	30366-015* 24071-017** 	CUTHOLE: 5 1/8"L x 5 1/8"W SIZE: 11 1/4"L x 12 3/4"W x 1 1/2"H
2-LT 	30304	24052-016 	CUTHOLE: 9 1/2"L x 5 1/8"W SIZE: 17"L x 12 3/4"W x 1 3/8"H	30367-012* 24072-014** 	CUTHOLE: 9 1/2"L x 5 1/8"W SIZE: 17"L x 12 3/4"W x 1 1/2"H
3-LT 	30305	24053-013 	CUTHOLE: 13 3/8"L x 5 1/8"W SIZE: 22"L x 12 3/4"W x 1 3/8"H	30368-019* 24073-011** 	CUTHOLE: 13 3/8"L x 5 1/8"W SIZE: 22"L x 12 3/4"W x 1 1/2"H
4-LT SQ 	30307	24055-017 	CUTHOLE: 9 1/2"L x 9 1/2"W SIZE: 24"L x 18"W x 1 3/8"H	30370-012* 24075-015** 	CUTHOLE: 9 1/2"L x 9 1/2"W SIZE: 24"L x 18"W x 1 1/2"H
4-LT LINEAR 	30306	24054-010 	CUTHOLE: 17 3/8"L x 5 1/8"W SIZE: 26"L x 12 3/4"W x 1 3/8"H	30369-016* 24074-018** 	CUTHOLE: 17 3/8"L x 5 1/8"W SIZE: 26"L x 12 3/4"W x 1 1/2"H
6-LT LINEAR 	30308	24056-014 	CUTHOLE: 25 1/4"L x 5 1/8"W SIZE: 37 1/2"L x 12 3/4"W x 1 3/8"H	30371-019* 24076-012** 	CUTHOLE: 25 1/4"L x 5 1/8"W SIZE: 37 1/2"L x 12 3/4"W x 1 1/2"H

LED 12W

LED 12W					
	REMODEL #	NEW CONSTRUCTION PLATE		AIRTIGHT IC BOX* INSULATED CEILING BOX**	
1-LT 	30233	31051-019 	CUTHOLE: 4"L x 4"W SIZE: 11"L x 9"W x 1 3/8"H	31137-010* 31056-014** 	CUTHOLE: 4"L x 4"W SIZE: 11"L x 9"W x 9 1/2"H
2-LT 	30234	31052-016 	CUTHOLE: 11"L x 4 1/8"W SIZE: 17"L x 12 3/4"W x 1 3/8"H	31138-017* 31057-017** 	CUTHOLE: 11"L x 4 1/8"W SIZE: 17"L x 12 3/4"W x 11 1/2"H
3-LT 	30235	31053-013 	CUTHOLE: 17 1/4"L x 4 1/8"W SIZE: 25"L x 12"W x 1 3/8"H	31139-014* 31058-018** 	CUTHOLE: 17 1/4"L x 4 1/8"W SIZE: 25"L x 12"W x 11 1/2"H
4-LT SQ 	30237	31055-017 	CUTHOLE: 9 1/2"L x 9 1/2"W SIZE: 19"L x 19"W x 1 3/8"H	31140-010* 31060-011** 	CUTHOLE: 9 1/2"L x 9 1/2"W SIZE: 19"L x 19"W x 11 1/2"H
4-LT LINEAR 	30236	31054-010 	CUTHOLE: 23 1/4"L x 4 1/8"W SIZE: 32 1/2"L x 12 3/4"W x 1 3/8"H	31140-010* 31059-015** 	CUTHOLE: 23 1/4"L x 4 1/8"W SIZE: 32 1/2"L x 12 3/4"W x 11 1/2"H





TRIM INSTALLATION

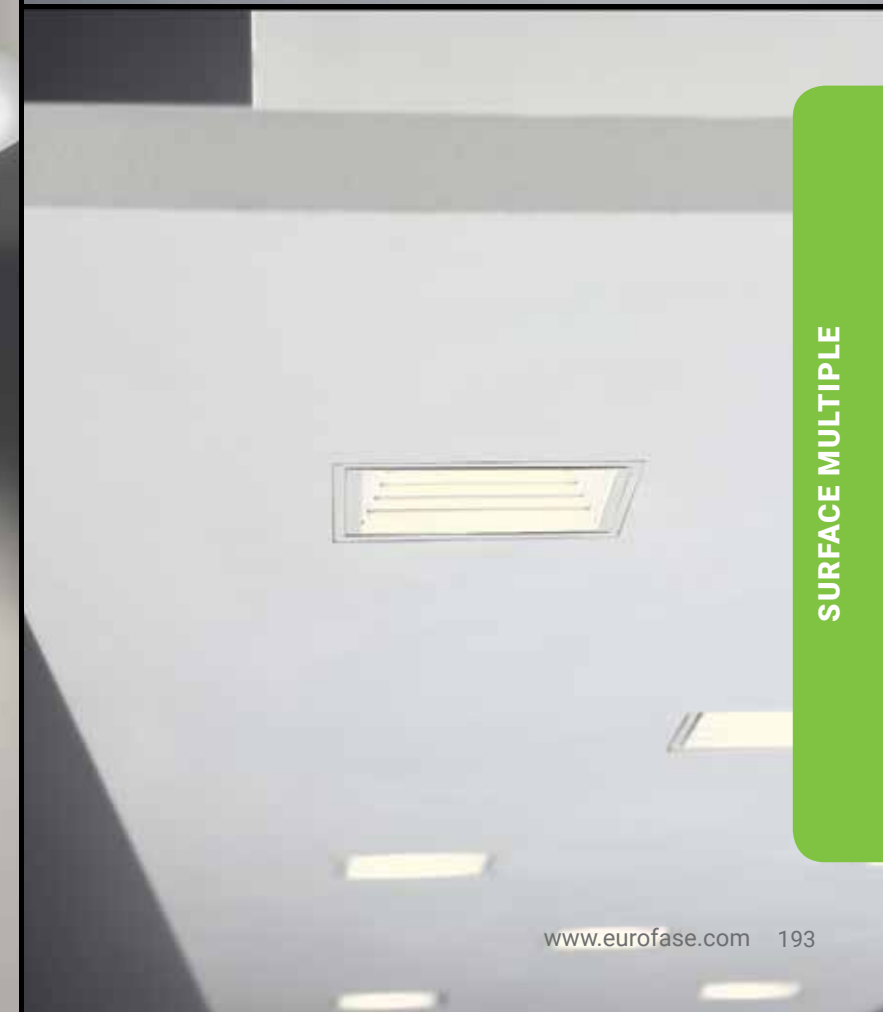


TRIMLESS INSTALLATION



SURFACE MULTIPLE

SURFACE MULTIPLE



SURFACE MULTIPLE

SURFACE MULTIPLE



SANTO

VERTICAL ADJUSTMENT: 20°



SURFACE MULTIPLE **SANTO**

For product information, see page 197.

32687-019



32688-016



32689-013



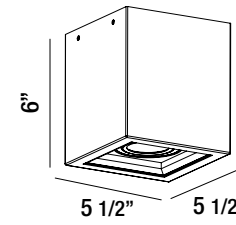
SURFACE MULTIPLE



32687-019 SANTO, 1-LIGHT LED FLUSHMOUNT



WATTS PER HEAD	LUMENS PER HEAD	KELVIN	DIMMABLE	CRI	BEAM ANGLE
11W	1480lm	3500K	TRIAC	80+	40°



ADJUSTABLE

FINISH

- 18 gauge steel housing powder coated white
- Powder coated white gimbal with chrome reflector

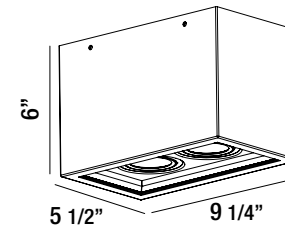
LAMPING

- 1 x 11W Integrated LED
- Kelvin: 3500K
- Lumens per head: 1480lm
- Total Lumens: 1480lm
- CRI: 80+
- Dimming: TRIAC
For 0-10V and alternate dimming options consult Eurofase
- Input Voltage: 120V
For 277V and 347V input options consult Eurofase
- Beam Angle: 40°
- Vertical Adjustment: 20°

32688-016 SANTO, 2-LIGHT LED FLUSHMOUNT



WATTS PER HEAD	LUMENS PER HEAD	KELVIN	DIMMABLE	CRI	BEAM ANGLE
11W	1480lm	3500K	TRIAC	80+	40°



ADJUSTABLE

FINISH

- 18 gauge steel housing powder coated white
- Powder coated white gimbal with chrome reflector

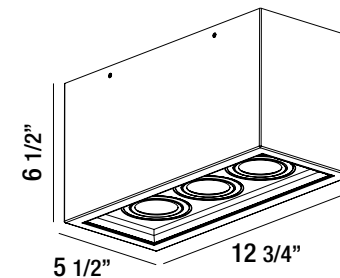
LAMPING

- 2 x 11W Integrated LED
- Kelvin: 3500K
- Lumens per head: 1480lm
- Total Lumens: 2960lm
- CRI: 80+
- Dimming: TRIAC
For 0-10V and alternate dimming options consult Eurofase
- Input Voltage: 120V
For 277V and 347V input options consult Eurofase
- Beam Angle: 40°
- Vertical Adjustment: 20°

32689-013 SANTO, 3-LIGHT LED FLUSHMOUNT



WATTS PER HEAD	LUMENS PER HEAD	KELVIN	DIMMABLE	CRI	BEAM ANGLE
11W	1480lm	3500K	TRIAC	80+	40°



ADJUSTABLE

FINISH

- 18 gauge steel housing powder coated white
- Powder coated white gimbal with chrome reflector

LAMPING

- 3 x 11W Integrated LED
- Kelvin: 3500K
- Lumens per head: 1480lm
- Total Lumens: 4440lm
- CRI: 80+
- Dimming: TRIAC
For 0-10V and alternate dimming options consult Eurofase
- Input Voltage: 120V
For 277V and 347V input options consult Eurofase
- Beam Angle: 40°
- Vertical Adjustment: 20°

SURFACE MULTIPLE



NYMARK

VERTICAL ADJUSTMENT: 50°



SURFACE MULTIPLE NYMARK

For product information, see page 201.

33617-015



33618-012



33619-019



SURFACE MULTIPLE

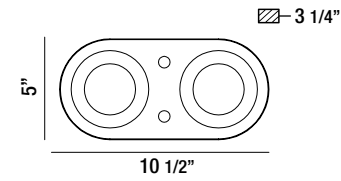
SURFACE MULTIPLE



33617-015 NYMARK, 2-LIGHT LED SURFACE MOUNT



WATTS PER HEAD	LUMENS PER HEAD	KELVIN	DIMMABLE	CRI	BEAM ANGLE
10W	850lm	3000K	TRIAC	80+	60°



FINISH

- 18 gauge steel housing powder coated white
- Powder coated white gimbal with chrome reflector

LAMPING

- 2 x 10W Integrated LED
- Kelvin: 3000K
- Lumens per head: 850lm
- Total Lumens: 1700lm
- CRI: 80+
- Dimming: TRIAC
For 0-10V and alternate dimming options consult Eurofase
- Input Voltage: 120V
For 277V and 347V input options consult Eurofase
- Beam Angle: 60°
- Vertical Adjustment: 50°

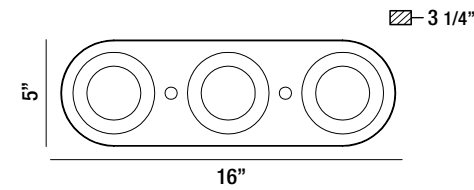


ADJUSTABLE

33618-012 NYMARK, 3-LIGHT LED SURFACE MOUNT



WATTS PER HEAD	LUMENS PER HEAD	KELVIN	DIMMABLE	CRI	BEAM ANGLE
10W	850lm	3000K	TRIAC	80+	60°



FINISH

- 18 gauge steel housing powder coated white
- Powder coated white gimbal with chrome reflector

LAMPING

- 3 x 10W Integrated LED
- Kelvin: 3000K
- Lumens per head: 850lm
- Total Lumens: 2550lm
- CRI: 80+
- Dimming: TRIAC
For 0-10V and alternate dimming options consult Eurofase
- Input Voltage: 120V
For 277V and 347V input options consult Eurofase
- Beam Angle: 60°
- Vertical Adjustment: 50°

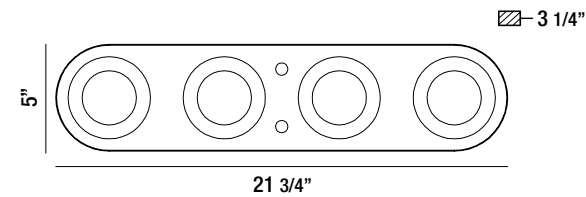


ADJUSTABLE

33619-019 NYMARK, 4-LIGHT LED SURFACE MOUNT



WATTS PER HEAD	LUMENS PER HEAD	KELVIN	DIMMABLE	CRI	BEAM ANGLE
10W	850lm	3000K	TRIAC	80+	60°



FINISH

- 18 gauge steel housing powder coated white
- Powder coated white gimbal with chrome reflector

LAMPING

- 4 x 10W Integrated LED
- Kelvin: 3000K
- Lumens per head: 850lm
- Total Lumens: 3400lm
- CRI: 80+
- Dimming: TRIAC
For 0-10V and alternate dimming options consult Eurofase
- Input Voltage: 120V
For 277V and 347V input options consult Eurofase
- Beam Angle: 60°
- Vertical Adjustment: 50°



ADJUSTABLE

SURFACE MULTIPLE



ACURA

VERTICAL ADJUSTMENT: 50°
HORIZONTAL ADJUSTMENT: 260°



SURFACE MULTIPLE **ACURA**

For product information, see page 206.

31210



31206



31207



31208



31215




SURFACE MULTIPLE

SURFACE MULTIPLE



SURFACE MULTIPLE

31210-010 ACURA, 1-LIGHT WALL SCONCE



WATTS PER HEAD	LUMENS PER HEAD	KELVIN	DIMMABLE	CRI	BEAM ANGLE
10W	900lm	3000K	TRIAC	80+	60°

FINISH

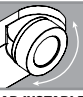
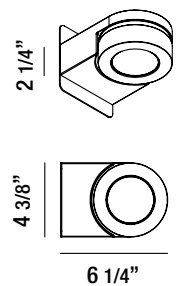
- 18 gauge steel housing powder coated white
- Powder coated white gimbal with chrome reflector

LAMPING


- 1 x 10W Integrated LED
- Kelvin: 3000K
- Lumens per head: 900lm
- Total Lumens: 2700lm
- CRI: 80+
- Dimming: TRIAC

For 0-10V and alternate dimming options consult Eurofase

- Input Voltage: 120V
- For 277V and 347V input options consult Eurofase
- Beam Angle: 60°
- Vertical Adjustment: 50°
- Horizontal Adjustment: 260°

31208-017 ACURA, 4-LIGHT SURFACE MOUNT



WATTS PER HEAD	LUMENS PER HEAD	KELVIN	DIMMABLE	CRI	BEAM ANGLE
10W	900lm	3000K	TRIAC	80+	60°

FINISH

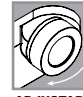
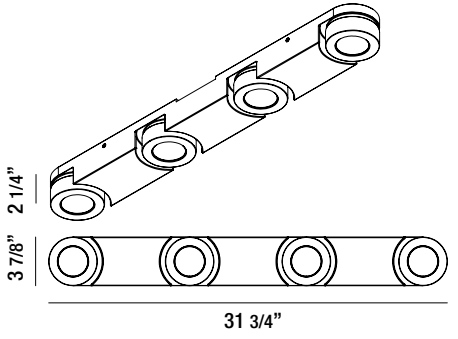
- 18 gauge steel housing powder coated white
- Powder coated white gimbal with chrome reflector

LAMPING


- 4 x 10W Integrated LED
- Kelvin: 3000K
- Lumens per head: 900lm
- Total Lumens: 3600lm
- CRI: 80+
- Dimming: TRIAC

For 0-10V and alternate dimming options consult Eurofase

- Input Voltage: 120V
- For 277V and 347V input options consult Eurofase
- Beam Angle: 60°
- Vertical Adjustment: 50°
- Horizontal Adjustment: 260°

31206-013 ACURA, 2-LIGHT SURFACE MOUNT



WATTS PER HEAD	LUMENS PER HEAD	KELVIN	DIMMABLE	CRI	BEAM ANGLE
10W	900lm	3000K	TRIAC	80+	60°

FINISH

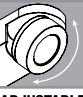
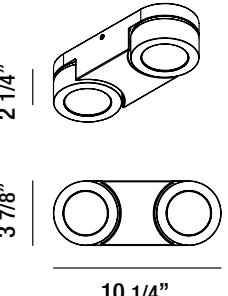
- 18 gauge steel housing powder coated white
- Powder coated white gimbal with chrome reflector

LAMPING


- 2 x 10W Integrated LED
- Kelvin: 3000K
- Lumens per head: 900lm
- Total Lumens: 1800lm
- CRI: 80+
- Dimming: TRIAC

For 0-10V and alternate dimming options consult Eurofase

- Input Voltage: 120V
- For 277V and 347V input options consult Eurofase
- Beam Angle: 60°
- Vertical Adjustment: 50°
- Horizontal Adjustment: 260°

31215-015 ACURA, 6-LIGHT PENDANT



WATTS PER HEAD	LUMENS PER HEAD	KELVIN	DIMMABLE	CRI	BEAM ANGLE
10W	900lm	3000K	TRIAC	80+	60°

FINISH

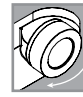
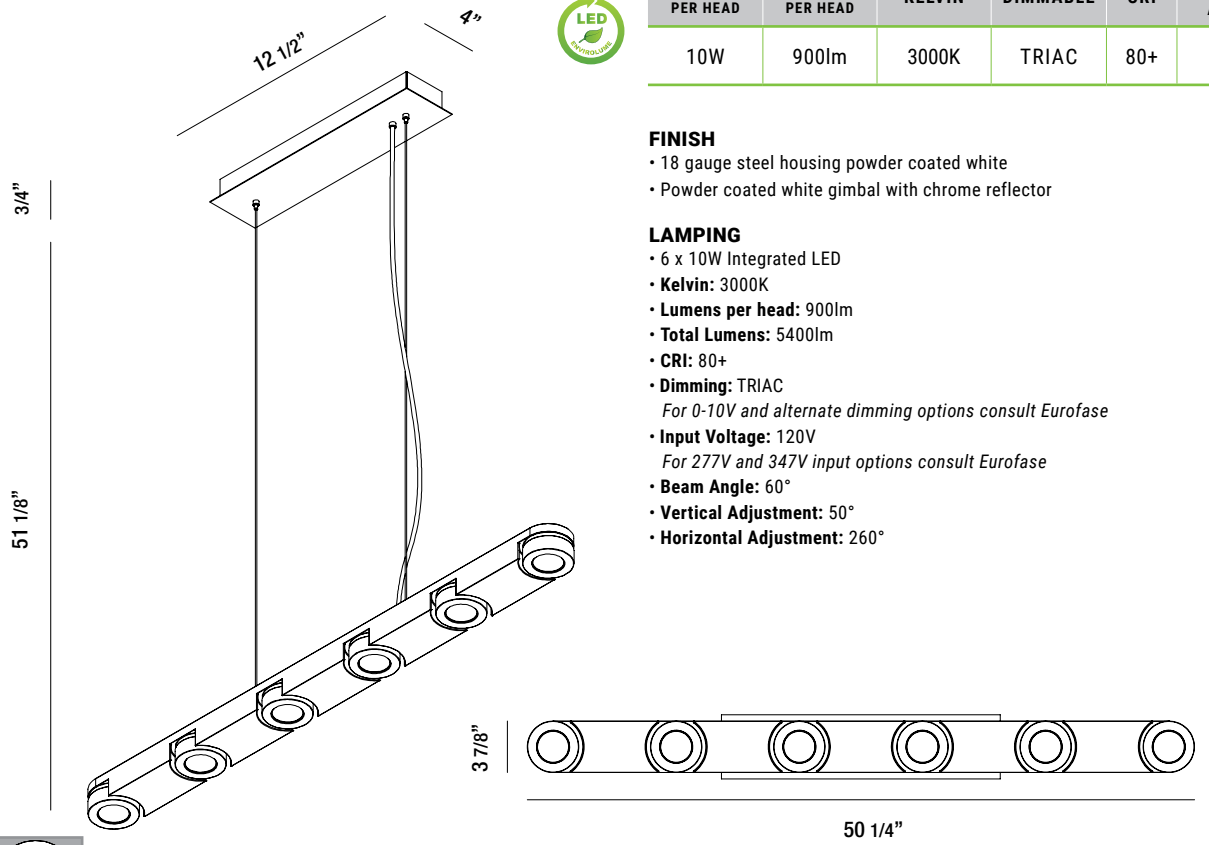
- 18 gauge steel housing powder coated white
- Powder coated white gimbal with chrome reflector

LAMPING


- 6 x 10W Integrated LED
- Kelvin: 3000K
- Lumens per head: 900lm
- Total Lumens: 5400lm
- CRI: 80+
- Dimming: TRIAC

For 0-10V and alternate dimming options consult Eurofase

- Input Voltage: 120V
- For 277V and 347V input options consult Eurofase
- Beam Angle: 60°
- Vertical Adjustment: 50°
- Horizontal Adjustment: 260°

31207-010 ACURA, 3-LIGHT SURFACE MOUNT



WATTS PER HEAD	LUMENS PER HEAD	KELVIN	DIMMABLE	CRI	BEAM ANGLE
10W	900lm	3000K	TRIAC	80+	60°

FINISH

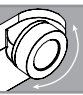
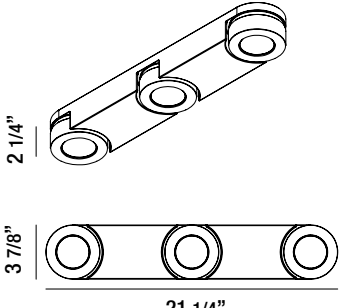
- 18 gauge steel housing powder coated white
- Powder coated white gimbal with chrome reflector

LAMPING

- 3 x 10W Integrated LED
- Kelvin: 3000K
- Lumens per head: 900lm
- Total Lumens: 2700lm
- CRI: 80+
- Dimming: TRIAC

For 0-10V and alternate dimming options consult Eurofase

- Input Voltage: 120V
- For 277V and 347V input options consult Eurofase
- Beam Angle: 60°
- Vertical Adjustment: 50°
- Horizontal Adjustment: 260°

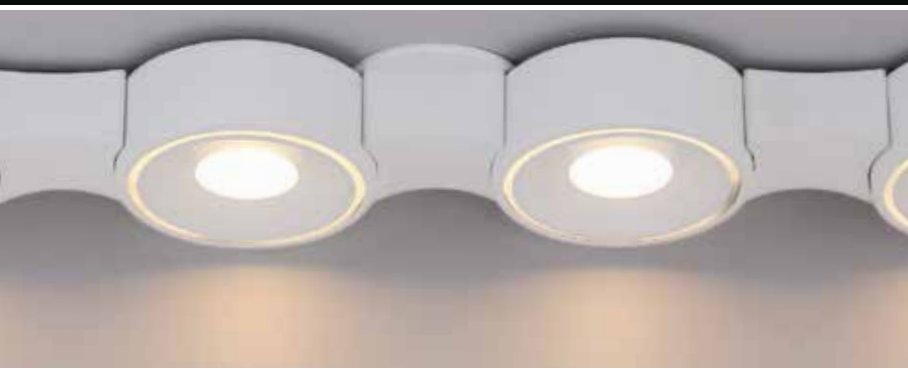



SURFACE MULTIPLE



STAVRO

CIRCULAR MATTE WHITE DOWNLIGHT CONFIGURATIONS



SURFACE MULTIPLE STAVRO

For product information, see page 212.

30274



30276



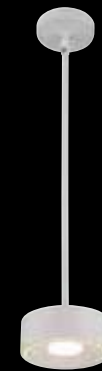
30277



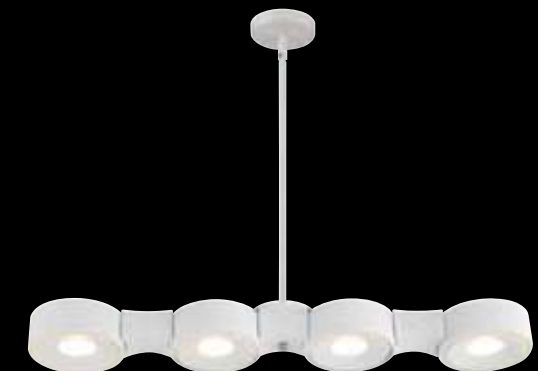
30278



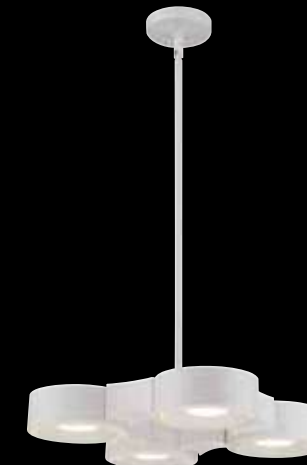
30440



30442



30443



30444



SURFACE MULTIPLE



SURFACE MULTIPLE

30274-013 STAVRO, 1-LIGHT SURFACE MOUNT

WATTS PER HEAD	LUMENS PER HEAD	KELVIN	DIMMABLE	CRI	BEAM ANGLE
9W	600lm	3000K	TRIAC	80+	120°

FINISH
• 18 gauge steel housing powder coated white

LAMPING
• 1 x 9W Integrated AC LED
• Kelvin: 3000K
• Lumen per head: 600lm
• CRI: 80+
• Dimming: TRIAC
For 0-10V and alternate dimming options consult Eurofase
• Input Voltage: 120V
For 277V and 347V input options consult Eurofase
• Beam Angle: 120°

30276-017 STAVRO, 4-LIGHT LINEAR SURFACE MOUNT

WATTS PER HEAD	LUMENS PER HEAD	KELVIN	DIMMABLE	CRI	BEAM ANGLE
9W	600lm	3000K	TRIAC	80+	120°

FINISH
• 18 gauge steel housing powder coated white

LAMPING
• 4 x 9W Integrated AC LED
• Kelvin: 3000K
• Lumen per head: 600lm
• Total Lumens: 2400lm
• CRI: 80+
• Dimming: TRIAC
For 0-10V and alternate dimming options consult Eurofase
• Input Voltage: 120V
For 277V and 347V input options consult Eurofase
• Beam Angle: 120°

30277-014 STAVRO, 4-LIGHT SQUARE SURFACE MOUNT

WATTS PER HEAD	LUMENS PER HEAD	KELVIN	DIMMABLE	CRI	BEAM ANGLE
9W	600lm	3000K	TRIAC	80+	120°

FINISH
• 18 gauge steel housing powder coated white

LAMPING
• 4 x 9W Integrated AC LED
• Kelvin: 3000K
• Lumen per head: 600lm
• Total Lumens: 2400lm
• CRI: 80+
• Dimming: TRIAC
For 0-10V and alternate dimming options consult Eurofase
• Input Voltage: 120V
For 277V and 347V input options consult Eurofase
• Beam Angle: 120°

30278-011 STAVRO, 6-LIGHT SURFACE MOUNT

WATTS PER HEAD	LUMENS PER HEAD	KELVIN	DIMMABLE	CRI	BEAM ANGLE
9W	600lm	3000K	TRIAC	80+	120°

FINISH
• 18 gauge steel housing powder coated white

LAMPING
• 6 x 9W Integrated AC LED
• Kelvin: 3000K
• Lumen per head: 600lm
• Total Lumens: 3600lm
• CRI: 80+
• Dimming: TRIAC
For 0-10V and alternate dimming options consult Eurofase
• Input Voltage: 120V
For 277V and 347V input options consult Eurofase
• Beam Angle: 120°

30440-012* STAVRO, 1-LIGHT PENDANT

WATTS PER HEAD	LUMENS PER HEAD	KELVIN	DIMMABLE	CRI	BEAM ANGLE
9W	600lm	3000K	TRIAC	80+	120°

FINISH
• 18 gauge steel housing powder coated white

LAMPING
• 1 x 9W Integrated AC LED
• Kelvin: 3000K
• Lumen per head: 600lm
• CRI: 80+
• Dimming: TRIAC
For 0-10V and alternate dimming options consult Eurofase
• Input Voltage: 120V
For 277V and 347V input options consult Eurofase
• Beam Angle: 120°

* COMES WITH 3"+ 6"+12"+18" EXTENSION RODS



30442-016* STAVRO, 4-LIGHT LINEAR PENDANT

WATTS PER HEAD	LUMENS PER HEAD	KELVIN	DIMMABLE	CRI	BEAM ANGLE
9W	600lm	3000K	TRIAC	80+	120°

FINISH
• 18 gauge steel housing powder coated white

LAMPING
• 4 x 9W Integrated AC LED
• Kelvin: 3000K
• Lumen per head: 600lm
• Total Lumens: 2400lm
• CRI: 80+
• Dimming: TRIAC
For 0-10V and alternate dimming options consult Eurofase
• Input Voltage: 120V
For 277V and 347V input options consult Eurofase
• Beam Angle: 120°

* COMES WITH 3"+ 6"+12"+18" EXTENSION RODS

30443-013* STAVRO, 4-LIGHT SQUARE PENDANT

WATTS PER HEAD	LUMENS PER HEAD	KELVIN	DIMMABLE	CRI	BEAM ANGLE
9W	600lm	3000K	TRIAC	80+	120°

FINISH
• 18 gauge steel housing powder coated white

LAMPING
• 4 x 9W Integrated AC LED
• Kelvin: 3000K
• Lumen per head: 600lm
• Total Lumens: 2400lm
• CRI: 80+
• Dimming: TRIAC
For 0-10V and alternate dimming options consult Eurofase
• Input Voltage: 120V
For 277V and 347V input options consult Eurofase
• Beam Angle: 120°

* COMES WITH 3"+ 6"+12"+18" EXTENSION RODS

30444-010* STAVRO, 6-LIGHT PENDANT

WATTS PER HEAD	LUMENS PER HEAD	KELVIN	DIMMABLE	CRI	BEAM ANGLE
9W	600lm	3000K	TRIAC	80+	120°

FINISH
• 18 gauge steel housing powder coated white

LAMPING
• 6 x 9W Integrated AC LED
• Kelvin: 3000K
• Lumen per head: 600lm
• Total Lumens: 3600lm
• CRI: 80+
• Dimming: TRIAC
For 0-10V and alternate dimming options consult Eurofase
• Input Voltage: 120V
For 277V and 347V input options consult Eurofase
• Beam Angle: 120°

* COMES WITH 3"+ 6"+12"+18" EXTENSION RODS



SURFACE MULTIPLE



KANO

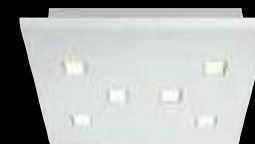
MINIMAL ALUMINUM SUSPENDED MODULAR LED LIGHTS



SURFACE MULTIPLE KANO

For product information, see page 222.

30313



30314



30315



30290



30292



30293



SURFACE MULTIPLE



SURFACE MULTIPLE



30313-019 KANO, 6-LIGHT SURFACE MOUNT

WATTS PER HEAD	LUMENS PER HEAD	KELVIN	DIMMABLE	CRI
3W	165lm	3000K	TRIAC	80+

FINISH

- Extruded aluminum with white powder coated
- Stepped baffle detail reflector

LAMPING

- 6 x 3W Integrated LED
- Kelvin: 3000K
- Lumen per head: 165lm
- Total Lumens: 990lm
- CRI: 80+
- Dimming: TRIAC
- For 0-10V and alternate dimming options consult Eurofase
- Input Voltage: 120V
- For 277V and 347V input options consult Eurofase

30290-013 KANO, 6-LIGHT PENDANT

WATTS PER HEAD	LUMENS PER HEAD	KELVIN	DIMMABLE	CRI
3W	165lm	3000K	TRIAC	80+

FINISH

- Extruded aluminum with white powder coated
- Stepped baffle detail reflector

LAMPING

- 6 x 3W Integrated LED
- Kelvin: 3000K
- Lumen per head: 165lm
- Total Lumens: 990lm
- CRI: 80+
- Dimming: TRIAC
- For 0-10V and alternate dimming options consult Eurofase
- Input Voltage: 120V
- For 277V and 347V input options consult Eurofase

30314-016 KANO, 8-LIGHT SURFACE MOUNT

WATTS PER HEAD	LUMENS PER HEAD	KELVIN	DIMMABLE	CRI
3W	165lm	3000K	TRIAC	80+

FINISH

- Extruded aluminum with white powder coated
- Stepped baffle detail reflector

LAMPING

- 8 x 3W Integrated LED
- Kelvin: 3000K
- Lumen per head: 165lm
- Total Lumens: 1320lm
- CRI: 80+
- Dimming: TRIAC
- For 0-10V and alternate dimming options consult Eurofase
- Input Voltage: 120V
- For 277V and 347V input options consult Eurofase

30292-017 KANO, 8-LIGHT PENDANT

WATTS PER HEAD	LUMENS PER HEAD	KELVIN	DIMMABLE	CRI
3W	165lm	3000K	TRIAC	80+

FINISH

- Extruded aluminum with white powder coated
- Stepped baffle detail reflector

LAMPING

- 8 x 3W Integrated LED
- Kelvin: 3000K
- Lumen per head: 165lm
- Total Lumens: 1320lm
- CRI: 80+
- Dimming: TRIAC
- For 0-10V and alternate dimming options consult Eurofase
- Input Voltage: 120V
- For 277V and 347V input options consult Eurofase

30315-013 KANO, 11-LIGHT SURFACE MOUNT

WATTS PER HEAD	LUMENS PER HEAD	KELVIN	DIMMABLE	CRI
3W	165lm	3000K	TRIAC	80+

FINISH

- Extruded aluminum with white powder coated
- Stepped baffle detail reflector

LAMPING

- 11 x 3W Integrated LED
- Kelvin: 3000K
- Lumen per head: 165lm
- Total Lumens: 1815lm
- CRI: 80+
- Dimming: TRIAC
- For 0-10V and alternate dimming options consult Eurofase
- Input Voltage: 120V
- For 277V and 347V input options consult Eurofase

30293-014 KANO, 11-LIGHT PENDANT

WATTS PER HEAD	LUMENS PER HEAD	KELVIN	DIMMABLE	CRI
3W	165lm	3000K	TRIAC	80+

FINISH

- Extruded aluminum with white powder coated
- Stepped baffle detail reflector

LAMPING

- 11 x 3W Integrated LED
- Kelvin: 3000K
- Lumen per head: 165lm
- Total Lumens: 1815lm
- CRI: 80+
- Dimming: TRIAC
- For 0-10V and alternate dimming options consult Eurofase
- Input Voltage: 120V
- For 277V and 347V input options consult Eurofase

SURFACE MULTIPLE



VISION

EYEBALL LENS ROTATES 360 DEGREES WITHIN THE FRAME



SURFACE MULTIPLE VISION

For product information, see page 228.

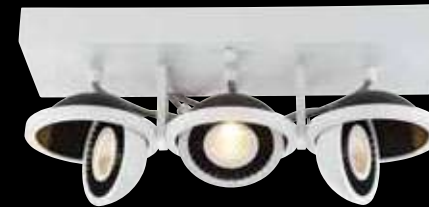
29489



29486



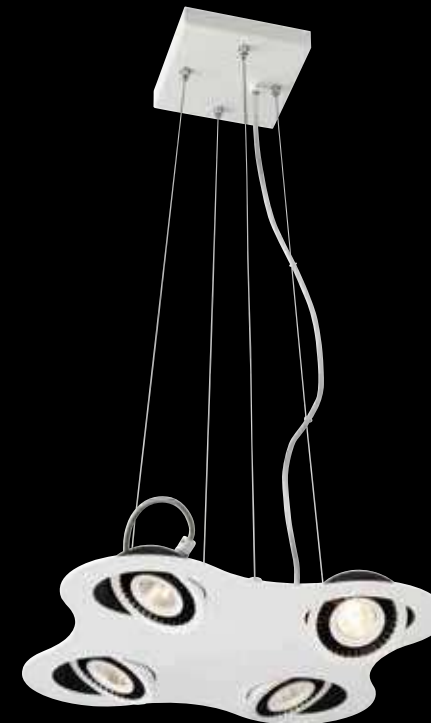
29488



29482



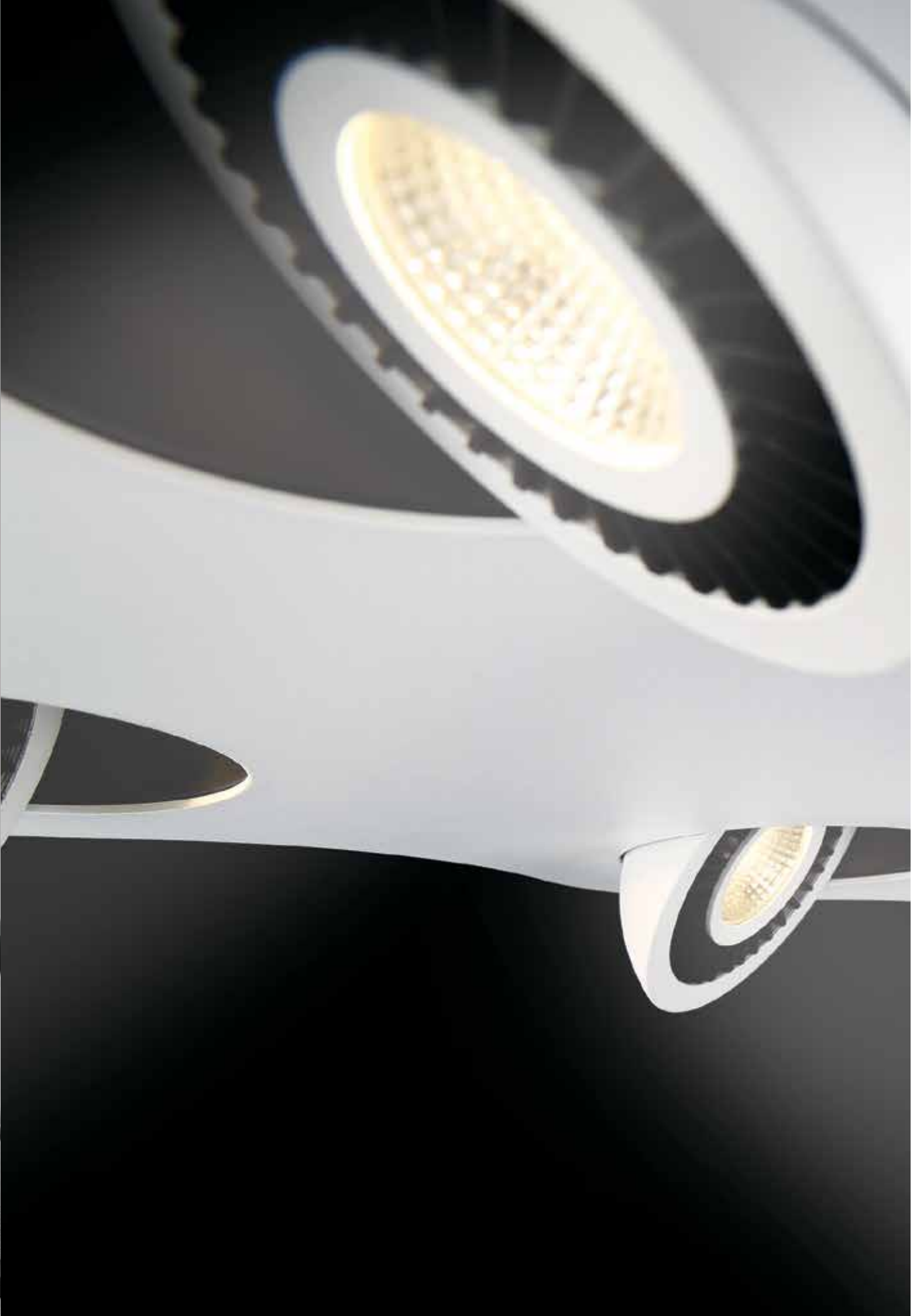
29485



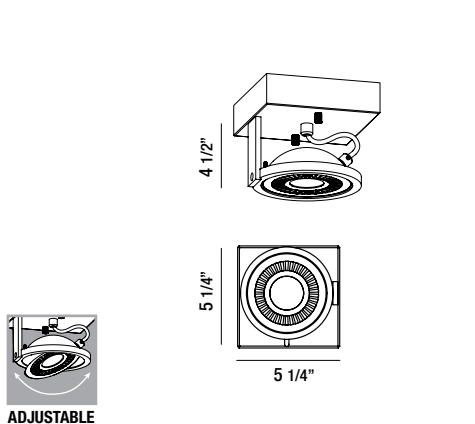
29484



SURFACE MULTIPLE



29489-015 VISION, 1-LIGHT SURFACE MOUNT



WATTS PER HEAD	LUMENS PER HEAD	KELVIN	DIMMABLE	CRI	BEAM ANGLE
5W	450lm	3000K	TRIAC	80+	60°

FEATURE

- Rotatable gimbal 360°
- Omni directional

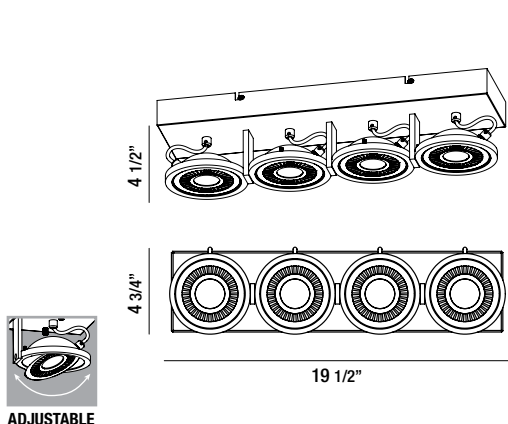
FINISH

- White powder coated aluminum gimbal with black powder coated heat sink
- 18 gauge powder coated steel

LAMPING

- 1 x 5W Integrated LED
- Kelvin: 3000K
- Lumen per head: 450lm
- CRI: 80+
- Dimming: TRIAC
For 0-10V and alternate dimming options consult Eurofase
- Input Voltage: 120V
For 277V and 347V input options consult Eurofase
- Beam Angle: 60°

29482-016 VISION, 4-LIGHT LINEAR SURFACE MOUNT



WATTS PER HEAD	LUMENS PER HEAD	KELVIN	DIMMABLE	CRI	BEAM ANGLE
5W	450lm	3000K	TRIAC	80+	60°

FEATURE

- Rotatable gimbal 360°
- Omni directional

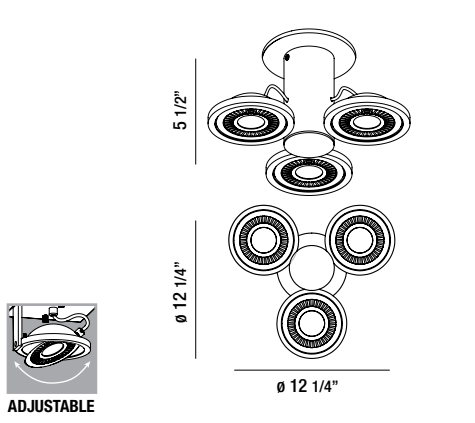
FINISH

- White powder coated aluminum gimbal with black powder coated heat sink
- 18 gauge powder coated steel

LAMPING

- 4 x 5W Integrated LED
- Kelvin: 3000K
- Lumen per head: 450lm
- Total Lumens: 1800lm
- CRI: 80+
- Dimming: TRIAC
For 0-10V and alternate dimming options consult Eurofase
- Input Voltage: 120V
For 277V and 347V input options consult Eurofase
- Beam Angle: 60°

29486-014 VISION, 3-LIGHT SURFACE MOUNT



WATTS PER HEAD	LUMENS PER HEAD	KELVIN	DIMMABLE	CRI	BEAM ANGLE
5W	450lm	3000K	TRIAC	80+	60°

FEATURE

- Rotatable gimbal 360°
- Omni directional

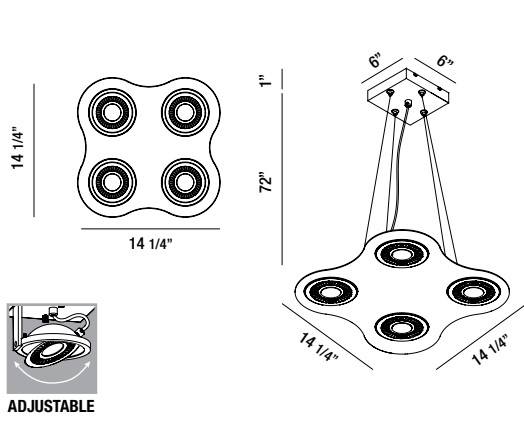
FINISH

- White powder coated aluminum gimbal with black powder coated heat sink
- 18 gauge powder coated steel

LAMPING

- 3 x 5W Integrated LED
- Kelvin: 3000K
- Lumen per head: 450lm
- Total Lumens: 1350lm
- CRI: 80+
- Dimming: TRIAC
For 0-10V and alternate dimming options consult Eurofase
- Input Voltage: 120V
For 277V and 347V input options consult Eurofase
- Beam Angle: 60°

29485-017 VISION, 4-LIGHT PENDANT



WATTS PER HEAD	LUMENS PER HEAD	KELVIN	DIMMABLE	CRI	BEAM ANGLE
5W	450lm	3000K	TRIAC	80+	60°

FEATURE

- Rotatable gimbal 360°
- Omni directional

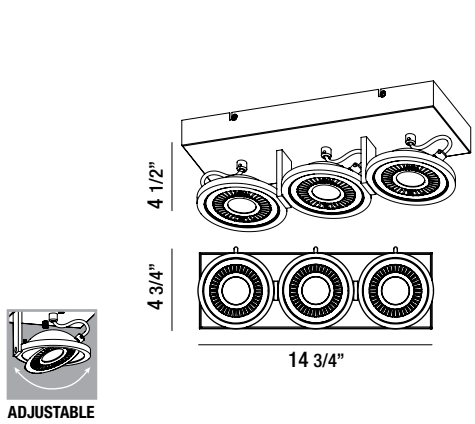
FINISH

- White powder coated aluminum gimbal with black powder coated heat sink
- 18 gauge powder coated steel

LAMPING

- 4 x 5W Integrated LED
- Kelvin: 3000K
- Lumen per head: 450lm
- Total Lumens: 1800lm
- CRI: 80+
- Dimming: TRIAC
For 0-10V and alternate dimming options consult Eurofase
- Input Voltage: 120V
For 277V and 347V input options consult Eurofase
- Beam Angle: 60°

29488-018 VISION, 3-LIGHT LINEAR SURFACE MOUNT



WATTS PER HEAD	LUMENS PER HEAD	KELVIN	DIMMABLE	CRI	BEAM ANGLE
5W	450lm	3000K	TRIAC	80+	60°

FEATURE

- Rotatable gimbal 360°
- Omni directional

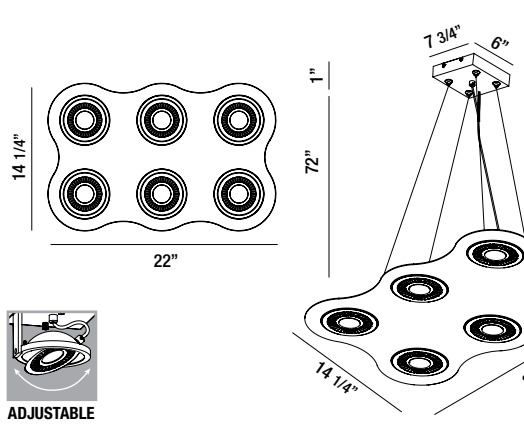
FINISH

- White powder coated aluminum gimbal with black powder coated heat sink
- 18 gauge powder coated steel

LAMPING

- 3 x 5W Integrated LED
- Kelvin: 3000K
- Lumen per head: 450lm
- Total Lumens: 1350lm
- CRI: 80+
- Dimming: TRIAC
For 0-10V and alternate dimming options consult Eurofase
- Input Voltage: 120V
For 277V and 347V input options consult Eurofase
- Beam Angle: 60°

29484-010 VISION, 6-LIGHT PENDANT



WATTS PER HEAD	LUMENS PER HEAD	KELVIN	DIMMABLE	CRI	BEAM ANGLE
5W	450lm	3000K	TRIAC	80+	60°

FEATURE

- Rotatable gimbal 360°
- Omni directional

FINISH

- White powder coated aluminum gimbal with black powder coated heat sink
- 18 gauge powder coated steel

LAMPING

- 6 x 5W Integrated LED
- Kelvin: 3000K
- Lumen per head: 450lm
- Total Lumens: 2700lm
- CRI: 80+
- Dimming: TRIAC
For 0-10V and alternate dimming options consult Eurofase
- Input Voltage: 120V
For 277V and 347V input options consult Eurofase
- Integrated dimmable LED drive
- Beam Angle: 60°

SURFACE MULTIPLE



VENUE

MODERN AND LOW PROFILE SURFACE MOUNTED LED
COLLECTION OFFERING ADJUSTABLE DIFFUSED LIGHT



SURFACE MULTIPLE **VENUE**

For product information, see page 234.

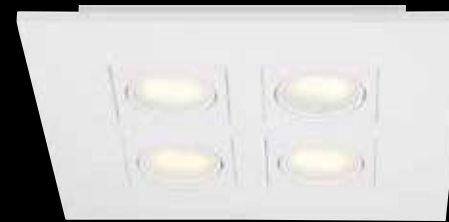
27991



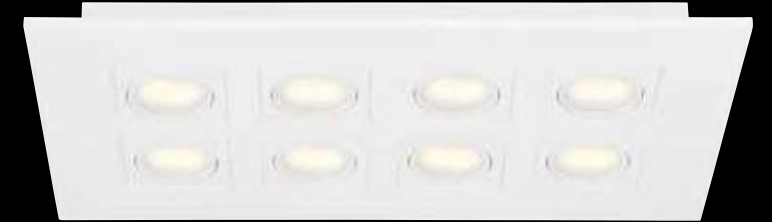
27993



27992



27995



27994



28316



SURFACE MULTIPLE

SURFACE MULTIPLE



27991-015 VENUE, 1-LIGHT SURFACE MOUNT

WATTS PER HEAD	LUMENS PER HEAD	KELVIN	DIMMABLE	CRI	BEAM ANGLE
9.2W	650lm	3000K	TRIAC	80+	120°

LED

FINISH

- 18 gauge white steel powder coated finish frame
- Modular LED heads
- Frosted lens

LAMPING

- 1 x 9.2W Integrated LED
- Kelvin: 3000K
- Lumen per head: 650lm
- CRI: 80+
- Dimming: TRIAC
- Input Voltage: 120V
- Beam Angle: 120°

27994-016 VENUE, 6-LIGHT LINEAR SURFACE MOUNT

WATTS PER HEAD	LUMENS PER HEAD	KELVIN	DIMMABLE	CRI	BEAM ANGLE
9.2W	650lm	3000K	TRIAC	80+	120°

LED

FINISH

- 18 gauge white steel powder coated finish frame
- Modular LED heads
- Frosted lens

LAMPING

- 6 x 9.2W Integrated LED
- Kelvin: 3000K
- Lumen per head: 650lm
- Total Lumens: 3900lm
- CRI: 80+
- Dimming: TRIAC
- Input Voltage: 120V
- Beam Angle: 120°

27992-012 VENUE, 4-LIGHT SQUARE SURFACE MOUNT

WATTS PER HEAD	LUMENS PER HEAD	KELVIN	DIMMABLE	CRI	BEAM ANGLE
9.2W	650lm	3000K	TRIAC	80+	120°

LED

FINISH

- 18 gauge white steel powder coated finish frame
- Modular LED heads
- Frosted lens

LAMPING

- 4 x 9.2W Integrated LED
- Kelvin: 3000K
- Lumen per head: 650lm
- Total Lumens: 2600lm
- CRI: 80+
- Dimming: TRIAC
- Input Voltage: 120V
- Beam Angle: 120°

27995-013 VENUE, 8-LIGHT RECTANGULAR SURFACE MOUNT

WATTS PER HEAD	LUMENS PER HEAD	KELVIN	DIMMABLE	CRI	BEAM ANGLE
9.2W	650lm	3000K	TRIAC	80+	120°

LED

FINISH

- 18 gauge white steel powder coated finish frame
- Modular LED heads
- Frosted lens

LAMPING

- 8 x 9.2W Integrated LED
- Kelvin: 3000K
- Lumen per head: 650lm
- Total Lumens: 5200lm
- CRI: 80+
- Dimming: TRIAC
- Input Voltage: 120V
- Beam Angle: 120°

27993-019 VENUE, 4-LIGHT LINEAR SURFACE MOUNT

WATTS PER HEAD	LUMENS PER HEAD	KELVIN	DIMMABLE	CRI	BEAM ANGLE
9.2W	650lm	3000K	TRIAC	80+	120°

LED

FINISH

- 18 gauge white steel powder coated finish frame
- Modular LED heads
- Frosted lens

LAMPING

- 4 x 9.2W Integrated LED
- Kelvin: 3000K
- Lumen per head: 650lm
- Total Lumens: 2600lm
- CRI: 80+
- Dimming: TRIAC
- Input Voltage: 120V
- Beam Angle: 120°

28316-016 VENUE, 8-LIGHT LINEAR SURFACE MOUNT

WATTS PER HEAD	LUMENS PER HEAD	KELVIN	DIMMABLE	CRI	BEAM ANGLE
9.2W	650lm	3000K	TRIAC	80+	120°

LED

FINISH

- 18 gauge white steel powder coated finish frame
- Modular LED heads
- Frosted lens

LAMPING

- 8 x 9.2W Integrated LED
- Kelvin: 3000K
- Lumen per head: 650lm
- Total Lumens: 5200lm
- CRI: 80+
- Dimming: TRIAC
- Input Voltage: 120V
- Beam Angle: 120°

RECESSED

2" LED RECESSED



34894 2" ROUND GIMBAL LED RECESSED

HOUSING

- Cast aluminum structure
- New construction plate, sold separately (refer to housing options)*

LAMPING

- 1 x 5W Integrated LED TRIAC Dimming. For 0-10V and alternate dimming options consult Eurofase.
- **Beam angle:** 40°
- **Kelvin:** 3000K / 4000K
- **Lumen per head:** 350lm
- **CRI:** 90+

ELECTRICAL

- Class 2 dimmable constant current driver (included)
- Thermally protected
- **Input voltage:** 120V. For 277V and 347V input options consult Eurofase.

DIMENSIONS

- **Cut hole:** Ø2"
- **Fixture:** 2 1/2"L x 1 5/8"H

CUSTOMIZATION

- For customization, please consult Eurofase



Driver box included

ORDERING GUIDE:

MODEL	KELVIN	FINISH
34894	-30 3000K	-01 Black
	-40 4000K	-02 White

EXAMPLE: 34894-30-01

SPECIFICATION:



WATTS PER HEAD	LUMENS PER HEAD	KELVIN	DIMMABLE	CRI	BEAM ANGLE
5W	350lm	3000K / 4000K	TRIAC	90+	40°

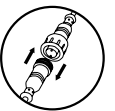
FINISHES:



-01 Black

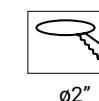


-02 White



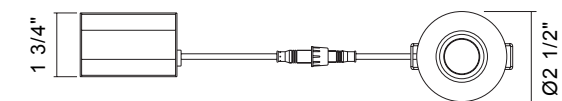
QUICK
CONNECT

PRODUCT DIMENSION:

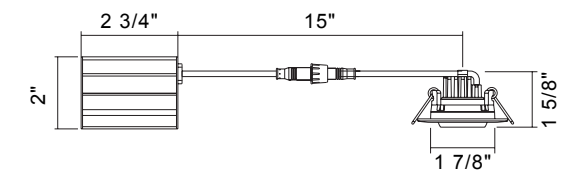


Ø2"

1 3/4"



Ø2 1/2"



IC AIRTIGHT
RATED



HOUSING OPTIONS (SOLD SEPARATELY):



NO IC BOX
REQUIRED

NEW CONSTRUCTION PLATE 35459-019



Cut Hole:
Ø2"

Dimension:
9"L x 6"W x 7/8"H



2" LED RECESSED



23283-015
2" MINI ROUND LED RECESSED

HOUSING

- 18 gauge powder coated steel housing
- New construction plate, sold separately (refer to housing options)*

LAMPING

- 1 x 3W Integrated LED TRIAC Dimming. For 0-10V and alternate dimming options consult Eurofase.
- **Beam angle:** 40°
- **Kelvin:** 3000K
- **Lumen per head:** 164lm
- **CRI:** 85+

ELECTRICAL

- Class 2 dimmable constant current driver (included)
- Thermally protected
- **Input voltage:** 120V. For 277V and 347V input options consult Eurofase.

DIMENSIONS

- **Cut hole:** ϕ 1 3/4"
- **Fixture:** ϕ 2" x 4"H

CUSTOMIZATION

- For customization, please consult Eurofase

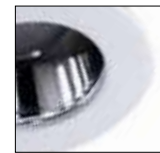


Driver box included

SPECIFICATION:

LED	WATTS PER HEAD	LUMENS PER HEAD	KELVIN	DIMMABLE	CRI	IC AIRTIGHT RATED	TILT
	3W	164lm	3000K	TRIAC	85+	YES	40°

FINISHES:



-015 White/Chrome

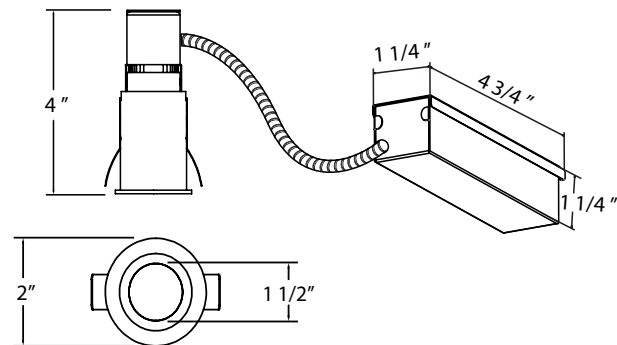


IC AIRTIGHT RATED

PRODUCT DIMENSION:



ϕ 1 3/4"



HOUSING OPTIONS (SOLD SEPARATELY):



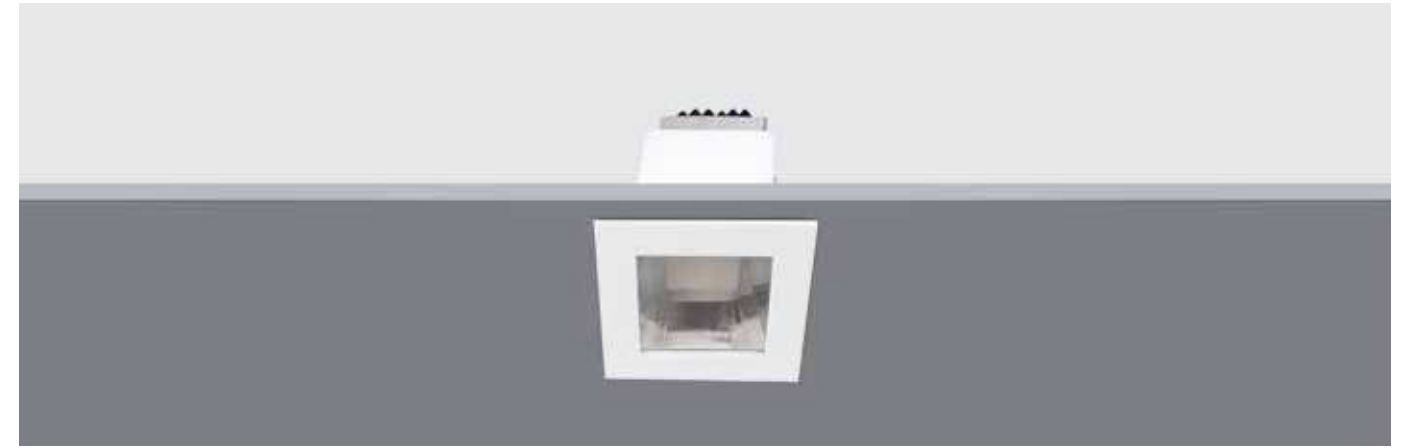
NO IC BOX REQUIRED

NEW CONSTRUCTION PLATE
32006-018



Cut Hole:
1 3/4"

Dimension:
6"L x 6"W x 1 1/4"H



23284-012
2" MINI SQUARE LED RECESSED

HOUSING

- 18 gauge powder coated steel housing
- New construction plate, sold separately (refer to housing options)*

LAMPING

- 1 x 3W Integrated LED TRIAC Dimming. For 0-10V and alternate dimming options consult Eurofase.
- **Beam angle:** 40°
- **Kelvin:** 3000K
- **Lumen per head:** 164lm
- **CRI:** 85+

ELECTRICAL

- Class 2 dimmable constant current driver (included)
- Thermally protected
- **Input voltage:** 120V. For 277V and 347V input options consult Eurofase.

DIMENSIONS

- **Cut hole:** 1 3/4"L x 1 3/4"W
- **Fixture:** 2"L x 2"W x 4"H

CUSTOMIZATION

- For customization, please consult Eurofase



Driver box included

SPECIFICATION:

LED	WATTS PER HEAD	LUMENS PER HEAD	KELVIN	DIMMABLE	CRI	IC AIRTIGHT RATED	TILT
	3W	164lm	3000K	TRIAC	85+	YES	40°

FINISHES:

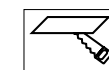


-012 White/Chrome

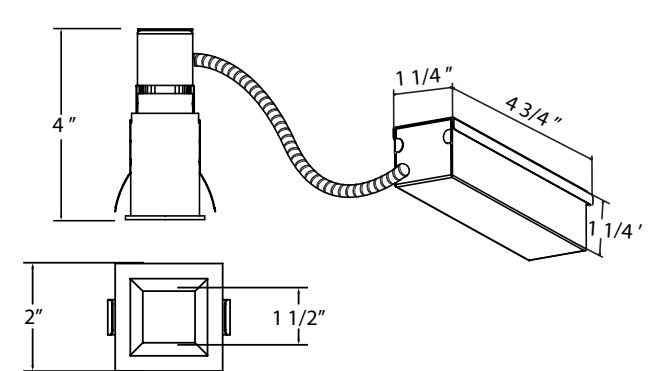


IC AIRTIGHT RATED

PRODUCT DIMENSION:



1 3/4"L x 1 3/4"W



HOUSING OPTIONS (SOLD SEPARATELY):



NO IC BOX REQUIRED

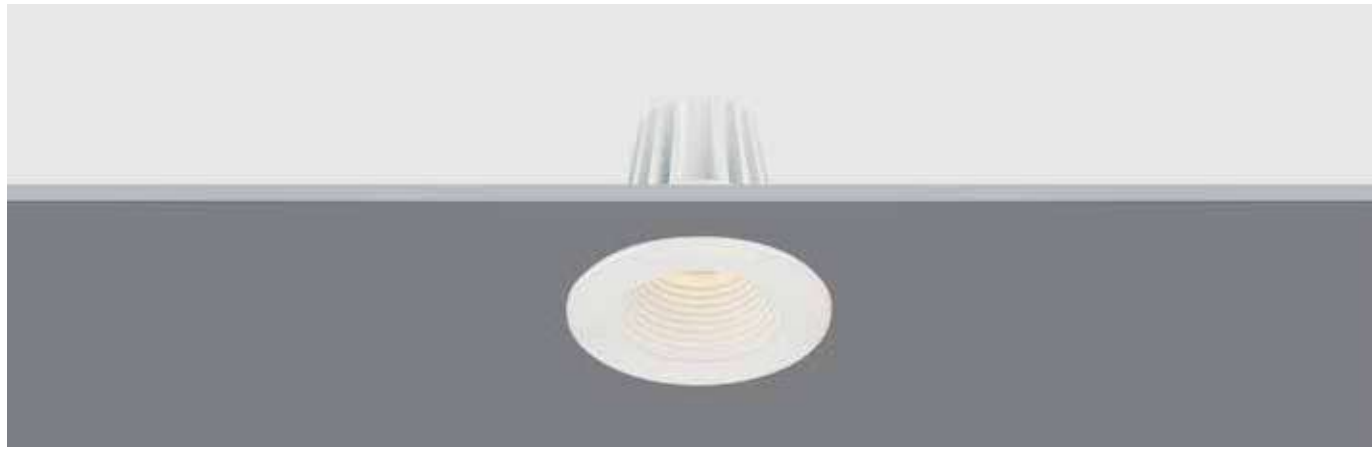
NEW CONSTRUCTION PLATE
32009-019



Cut Hole:
1 3/4"L x 1 3/4"W

Dimension:
6"L x 6"W x 1 1/4"H

2 1/2" LED RECESSED



34890
2 1/2" ROUND BAFFLE LED RECESSED

HOUSING

- Cast aluminum structure
- New construction plate, sold separately (refer to housing options)*

LAMPING

- 1 x 8W Integrated LED TRIAC Dimming. For 0-10V and alternate dimming options consult Eurofase.
- **Beam angle:** 40°
- **Kelvin:** 3000K / 4000K
- **Lumen per head:** 600lm
- **CRI:** 90+

ELECTRICAL

- Class 2 dimmable constant current driver (included)
- Thermally protected
- **Input voltage:** 120V. For 277V and 347V input options consult Eurofase.

DIMENSIONS

- **Cut hole:** ø2 3/4"
- **Fixture:** ø3 1/8" x 2 3/4"H

CUSTOMIZATION

- For customization, please consult Eurofase



Driver box included

ORDERING GUIDE:

MODEL	KELVIN	FINISH
34890	-30 3000K	-01 Black
	-40 4000K	-02 White

EXAMPLE: 34890-30-01

SPECIFICATION:



WATTS PER HEAD	LUMENS PER HEAD	KELVIN	DIMMABLE	CRI	BEAM ANGLE
8W	600lm	3000K / 4000K	TRIAC	90+	40°

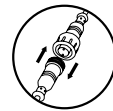
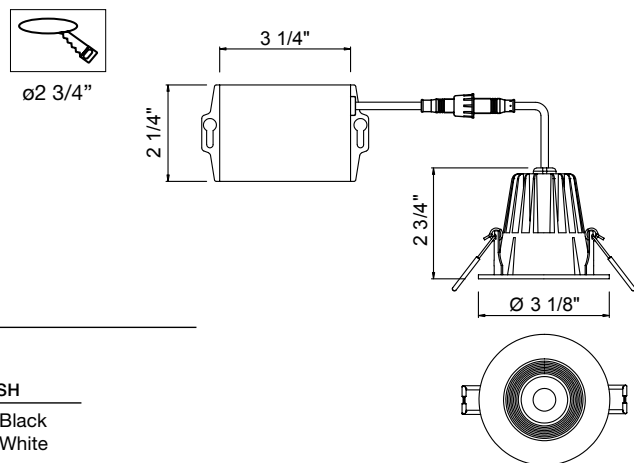
FINISHES:



-01 Black

-02 White

PRODUCT DIMENSION:



QUICK CONNECT



IC AIRTIGHT RATED



34891
2 1/2" SQUARE BAFFLE LED RECESSED

HOUSING

- Cast aluminum structure
- New construction plate, sold separately (refer to housing options)*

LAMPING

- 1 x 8W Integrated LED TRIAC Dimming. For 0-10V and alternate dimming options consult Eurofase.
- **Beam angle:** 40°
- **Kelvin:** 3000K / 4000K
- **Lumen per head:** 600lm
- **CRI:** 90+

ELECTRICAL

- Class 2 dimmable constant current driver (included)
- Thermally protected
- **Input voltage:** 120V. For 277V and 347V input options consult Eurofase.

DIMENSIONS

- **Cut hole:** ø2 3/4"
- **Fixture:** 3 1/8"L x 3 1/8"W x 2 3/4"H

CUSTOMIZATION

- For customization, please consult Eurofase



Driver box included

ORDERING GUIDE:

MODEL	KELVIN	FINISH
34891	-30 3000K	-01 Black
	-40 4000K	-02 White

EXAMPLE: 34891-30-01

SPECIFICATION:



WATTS PER HEAD	LUMENS PER HEAD	KELVIN	DIMMABLE	CRI	BEAM ANGLE
8W	600lm	3000K / 4000K	TRIAC	90+	40°

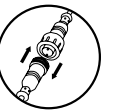
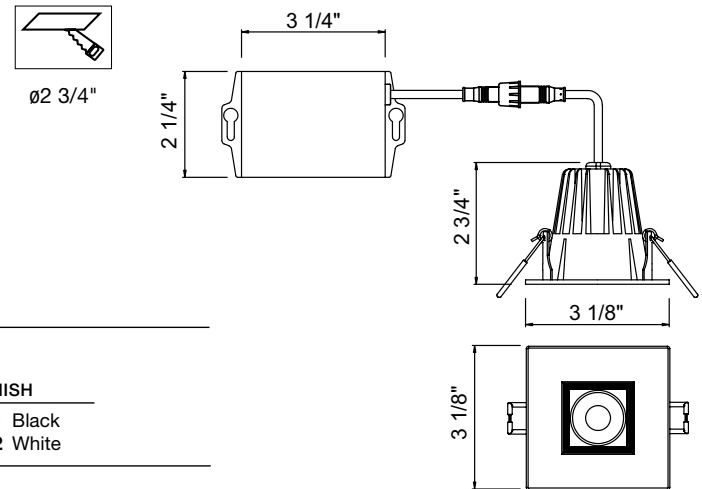
FINISHES:



-01 Black

-02 White

PRODUCT DIMENSION:



QUICK CONNECT



IC AIRTIGHT RATED



HOUSING OPTIONS (SOLD SEPARATELY):



NO IC BOX REQUIRED

NEW CONSTRUCTION PLATE
35460-015



Cut Hole:
ø2 3/4"

Dimension:
9"L x 6"W x 7/8"H

HOUSING OPTIONS (SOLD SEPARATELY):



NO IC BOX REQUIRED

NEW CONSTRUCTION PLATE
35460-015



Cut Hole:
ø2 3/4"

Dimension:
9"L x 6"W x 7/8"H

2 1/2" LED RECESSED



34895 2 1/2" ROUND GIMBAL LED RECESSED

HOUSING

- Cast aluminum structure
- New construction plate sold separately (refer to housing options)*

LAMPING

- 1 x 8W Integrated LED TRIAC Dimming. For 0-10V and alternate dimming options consult Eurofase.
- **Beam angle:** 40°
- **Kelvin:** 3000K / 4000K
- **Lumen per head:** 600lm
- **CRI:** 80+

ELECTRICAL

- Class 2 dimmable constant current driver (included)
- Driver box mates to fixture by 12" flexible BX cable
- Thermally protected
- **Input voltage:** 120V. For 277V and 347V input options consult Eurofase.

DIMENSIONS

- **Cut hole:** $\varnothing 2\ 3/4"$
- **Fixture:** $\varnothing 3\ 3/8"$ L x $1\ 3/4"$ H

CUSTOMIZATION

- For customization, please consult Eurofase



Driver box included

ORDERING GUIDE:

MODEL	KELVIN	FINISH
34895	-30 3000K	-01 Black
	-40 4000K	-02 White

EXAMPLE: 34895-30-01

SPECIFICATION:



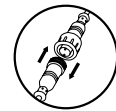
WATTS PER HEAD	LUMENS PER HEAD	KELVIN	DIMMABLE	CRI	BEAM ANGLE
8W	600lm	3000K / 4000K	TRIAC	90+	40°

FINISHES:



-01 Black

-02 White



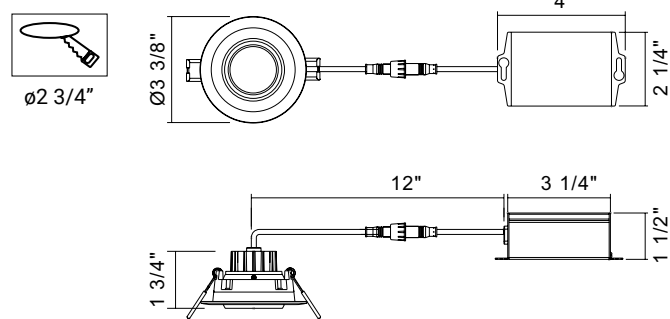
QUICK CONNECT



IC AIRTIGHT RATED



PRODUCT DIMENSION:



HOUSING OPTIONS (SOLD SEPARATELY):



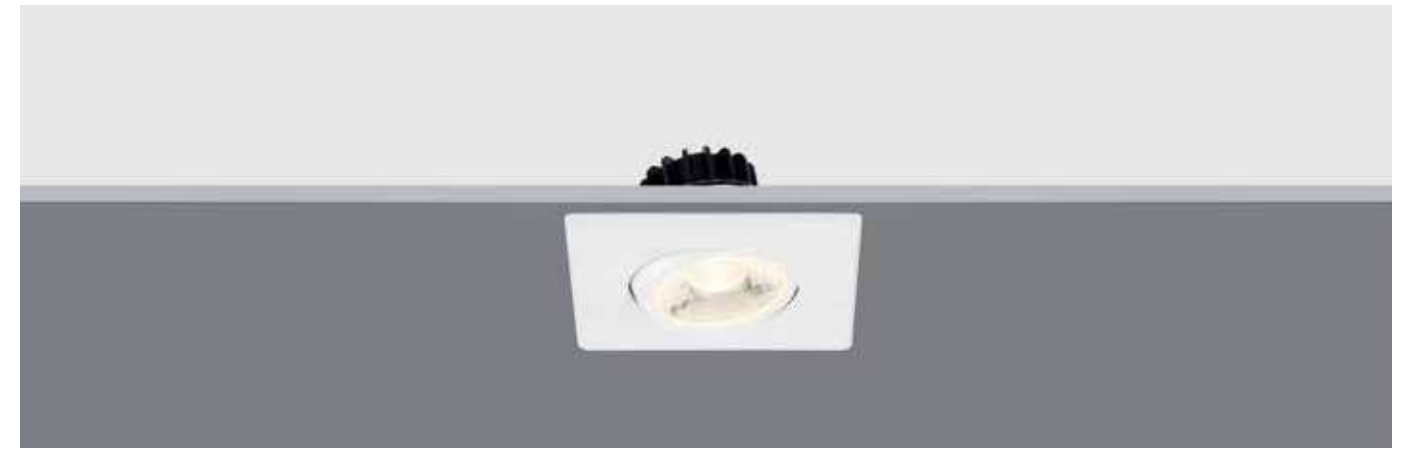
NO IC BOX REQUIRED

NEW CONSTRUCTION PLATE 35460-015



Cut Hole:
 $\varnothing 2\ 3/4"$

Dimension:
9"L x 6"W x 7/8"H



34892 2 1/2" SQUARE GIMBAL LED RECESSED

HOUSING

- Cast aluminum structure
- New construction plate sold separately (refer to housing options)*

LAMPING

- 1 x 8W Integrated LED TRIAC Dimming. For 0-10V and alternate dimming options consult Eurofase.
- **Beam angle:** 40°
- **Kelvin:** 3000K / 4000K
- **Lumen per head:** 600lm
- **CRI:** 90+

ELECTRICAL

- Class 2 dimmable constant current driver (included)
- Thermally protected
- **Input voltage:** 120V. For 277V and 347V input options consult Eurofase.

DIMENSIONS

- **Cut hole:** $\varnothing 2\ 3/4"$
- **Fixture:** $3\ 3/8"$ L x $3\ 3/8"$ W x $1\ 3/4"$ H

CUSTOMIZATION

- For customization, please consult Eurofase



Driver box included

ORDERING GUIDE:

MODEL	KELVIN	FINISH
34892	-30 3000K	-01 Black
	-40 4000K	-02 White

EXAMPLE: 34892-30-01

SPECIFICATION:



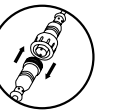
WATTS PER HEAD	LUMENS PER HEAD	KELVIN	DIMMABLE	CRI	BEAM ANGLE
8W	600lm	3000K / 4000K	TRIAC	90+	40°

FINISHES:



-01 Black

-02 White



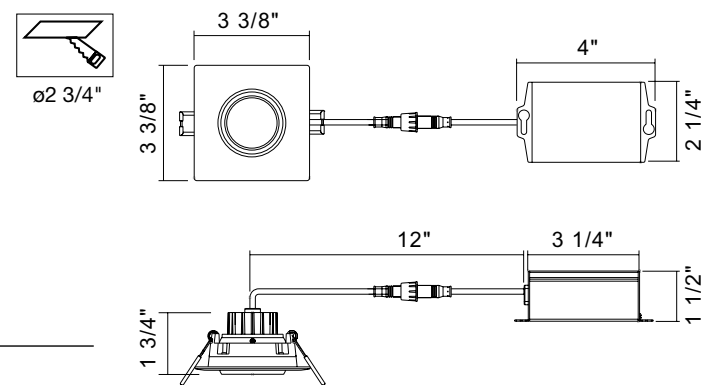
QUICK CONNECT



IC AIRTIGHT RATED



PRODUCT DIMENSION:



HOUSING OPTIONS (SOLD SEPARATELY):



NO IC BOX REQUIRED

NEW CONSTRUCTION PLATE 35460-015



Cut Hole:
 $\varnothing 2\ 3/4"$

Dimension:
9"L x 6"W x 7/8"H

3" LED RECESSED



30351-011 3" ROUND SHOWER LED RECESSED

HOUSING

- Cast aluminum structure
- New construction plate, insulated ceiling box sold separately (refer to housing options)*

LAMPING

- 1 x 15W Integrated LED TRIAC Dimming. For 0-10V and alternate dimming options consult Eurofase.
- **Beam angle:** 70°
- **Kelvin:** 3000K
- **Lumen per head:** 1290lm
- **CRI:** 80+
- **IP:** 44

ELECTRICAL

- Class 2 dimmable constant current driver (included)
- Driver box mates to fixture by 12" flexible BX cable
- Thermally protected
- **Input voltage:** 120V. For 277V and 347V input options consult Eurofase.

DIMENSIONS

- **Cut hole:** $\varnothing 3"$
- **Fixture:** $\varnothing 3 \frac{3}{8}"$ L x $2 \frac{3}{4}"$ H

CUSTOMIZATION

- For customization, please consult Eurofase



Driver box included

SPECIFICATION:



WATTS PER HEAD	LUMENS PER HEAD	KELVIN	DIMMABLE	CRI	BEAM ANGLE
15W	1290lm	3000K	TRIAC	80+	70°

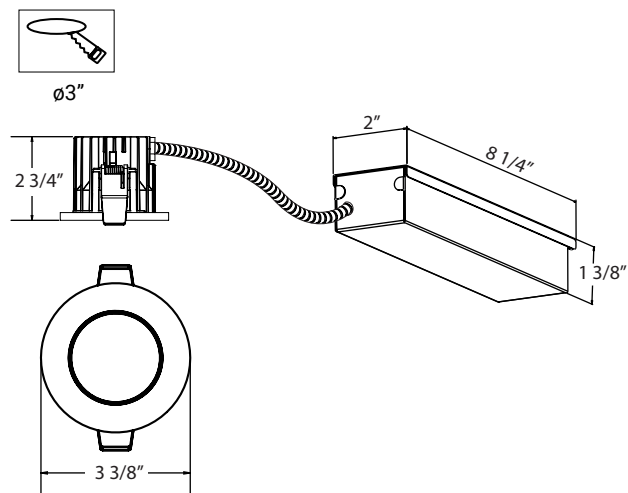
FINISHES:



-011 White/Frost



PRODUCT DIMENSION:



HOUSING OPTIONS (SOLD SEPARATELY):

NEW CONSTRUCTION PLATE
32506-010



Cut Hole:
 $\varnothing 3"$

Dimension:
 $9 \frac{1}{2}"$ L x $9 \frac{1}{4}"$ W x $1 \frac{3}{8}"$ H

INSULATED CEILING BOX
32507-015



Cut Hole:
 $\varnothing 3"$

Dimension:
 $11"$ L x $8 \frac{7}{8}"$ W x $9 \frac{1}{2}"$ H



31903-011 3" SQUARE SHOWER LED RECESSED

HOUSING

- Cast aluminum structure
- New construction plate, insulated ceiling box sold separately (refer to housing options)*

LAMPING

- 1 x 15W Integrated LED TRIAC Dimming. For 0-10V and alternate dimming options consult Eurofase.
- **Beam angle:** 70°
- **Kelvin:** 3000K
- **Lumen per head:** 1290lm
- **CRI:** 80+
- **IP:** 44

ELECTRICAL

- Class 2 dimmable constant current driver (included)
- Driver box mates to fixture by 12" flexible BX cable
- Thermally protected
- **Input voltage:** 120V. For 277V and 347V input options consult Eurofase.

DIMENSIONS

- **Cut hole:** $3" \text{L} \times 3" \text{W}$
- **Fixture:** $3 \frac{3}{8}" \text{L} \times 3 \frac{3}{8}" \text{W} \times 2 \frac{3}{4}" \text{H}$

CUSTOMIZATION

- For customization, please consult Eurofase



Driver box included

SPECIFICATION:



WATTS PER HEAD	LUMENS PER HEAD	KELVIN	DIMMABLE	CRI	BEAM ANGLE
15W	1290lm	3000K	TRIAC	80+	70°

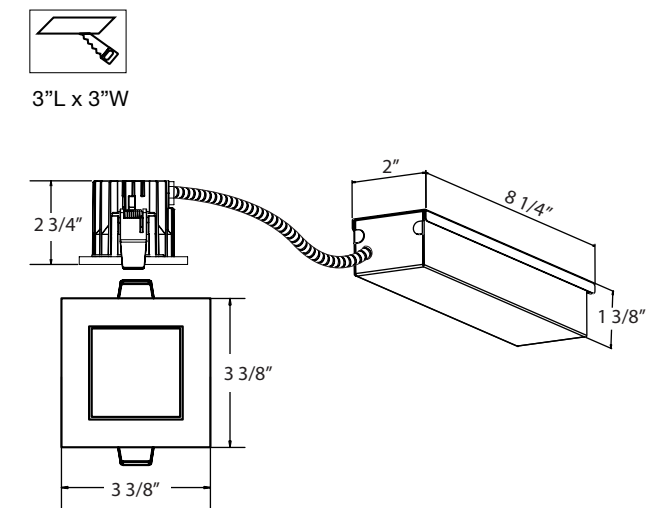
FINISHES:



-011 White/Frost



PRODUCT DIMENSION:



HOUSING OPTIONS (SOLD SEPARATELY):

NEW CONSTRUCTION PLATE
32508-012



Cut Hole:
 $3" \text{L} \times 3" \text{W}$

Dimension:
 $11"$ L x $8 \frac{7}{8}"$ W x $1 \frac{3}{8}"$ H

INSULATED CEILING BOX
32509-017



Cut Hole:
 $3" \text{L} \times 3" \text{W}$

Dimension:
 $11"$ L x $8 \frac{7}{8}"$ W x $9 \frac{1}{2}"$ H

3 1/2" LED RECESSED



34897 3 1/2" ROUND GIMBAL LED RECESSED

HOUSING

- Cast aluminum structure
- New construction plate, sold separately (refer to housing options)*

LAMPING

- 1 x 12W Integrated LED TRIAC Dimming. For 0-10V and alternate dimming options consult Eurofase.
- **Beam angle:** 40°
- **Kelvin:** 3000K / 4000K
- **Lumen per head:** 800lm
- **CRI:** 90+

ELECTRICAL

- Class 2 dimmable constant current driver (included)
- Thermally protected
- **Input voltage:** 120V. For 277V and 347V input options consult Eurofase.

DIMENSIONS

- **Cut hole:** ø3 3/4"
- **Fixture:** ø4 3/8" x 3 1/4"H

CUSTOMIZATION

- For customization, please consult Eurofase



Driver box included

ORDERING GUIDE:

MODEL	KELVIN	FINISH
34897	-30 3000K	-01 Black
	-40 4000K	-02 White

EXAMPLE: 34897-30-01

SPECIFICATION:



WATTS PER HEAD	LUMENS PER HEAD	KELVIN	DIMMABLE	CRI	BEAM ANGLE
12W	800lm	3000K / 4000K	TRIAC	90+	40°

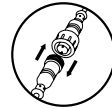
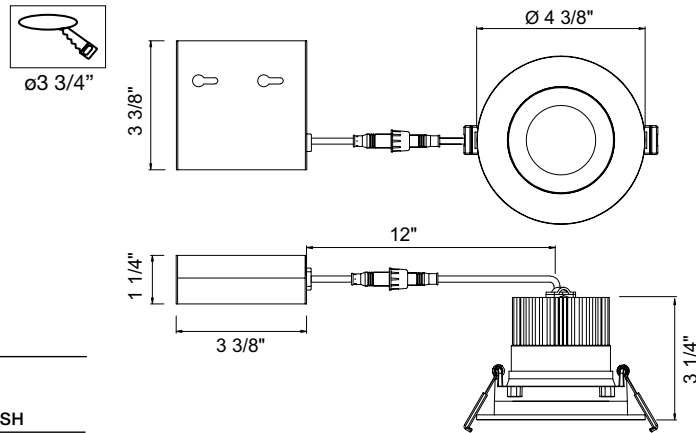
FINISHES:



-01 Black

-02 White

PRODUCT DIMENSION:



QUICK CONNECT



IC AIRTIGHT RATED



HOUSING OPTIONS (SOLD SEPARATELY):



NO IC BOX REQUIRED

NEW CONSTRUCTION PLATE 35461-012



Cut Hole:
ø3 3/4"

Dimension:
9"L x 6"W x 7/8"H



34898 3 1/2" SQUARE LED RECESSED

HOUSING

- Cast aluminum structure
- New construction plate, sold separately (refer to housing options)*

LAMPING

- 1 x 12W Integrated LED TRIAC Dimming. For 0-10V and alternate dimming options consult Eurofase.
- **Beam angle:** 40°
- **Kelvin:** 3000K / 4000K
- **Lumen per head:** 800lm
- **CRI:** 90+

ELECTRICAL

- Class 2 dimmable constant current driver (included)
- Thermally protected
- **Input voltage:** 120V. For 277V and 347V input options consult Eurofase.

DIMENSIONS

- **Cut hole:** ø3 3/4"
- **Fixture:** 4 1/2"L x 4 1/2"W x 3"H

CUSTOMIZATION

- For customization, please consult Eurofase



Driver box included

ORDERING GUIDE:

MODEL	KELVIN	FINISH
34898	-30 3000K	-01 Black
	-40 4000K	-02 White

EXAMPLE: 34898-30-01

SPECIFICATION:



WATTS PER HEAD	LUMENS PER HEAD	KELVIN	DIMMABLE	CRI	BEAM ANGLE
12W	800lm	3000K / 4000K	TRIAC	90+	40°

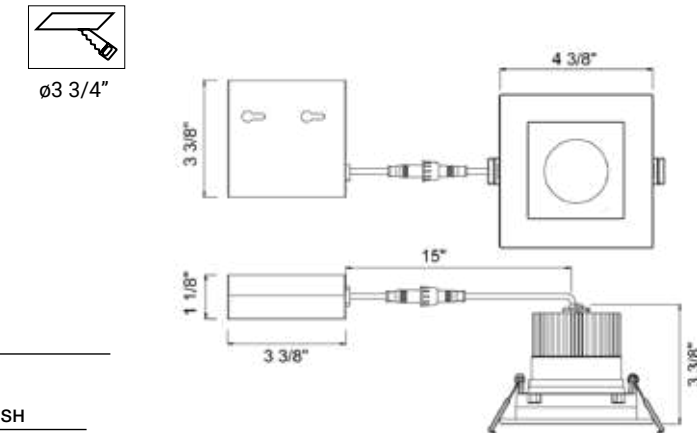
FINISHES:



-01 Black

-02 White

PRODUCT DIMENSION:



QUICK CONNECT



IC AIRTIGHT RATED



HOUSING OPTIONS (SOLD SEPARATELY):



NO IC BOX REQUIRED

NEW CONSTRUCTION PLATE 35461-012



Cut Hole:
ø3 3/4"

Dimension:
9"L x 6"W x 7/8"H

3 1/2" LED RECESSED



31216 3 1/2" BAFFLE LED RECESSED

HOUSING

- 18 gauge powder coated steel housing
- Remodel housing complete with adjustable mounting clips suitable for 1/2" and 5/8" drywall
- New construction plate sold separately (refer to housing options)*

LAMPING

- 1 x 10W Integrated LED TRIAC Dimming. For 0-10V and alternate dimming options consult Eurofase.
- **Beam angle:** 40°
- **Kelvin:** 3000K
- **Lumen per head:** 950lm
- **CRI:** 80+
- **IC Airtight Rated:** Yes

ELECTRICAL

- Class 2 dimmable constant current driver (included)
- Driver box mates to fixture by 12" flexible low voltage cable
- Thermally protected
- **Input voltage:** 120V. For 277V and 347V input options consult Eurofase.

DIMENSIONS

- **Cut hole:** ø3 5/8"
- **Fixture:** ø4 7/16" x 4 1/2"H

CUSTOMIZATION

- For customization, please consult Eurofase



Driver box included

SPECIFICATION:



WATTS	LUMENS	KELVIN	DIMMABLE	CRI	IC AIRTIGHT RATED	TILT
10W	950lm	3000K	TRIAC	80+	YES	40°

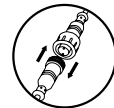
FINISHES:



-02 White



-04 Brushed Nickel



QUICK CONNECT



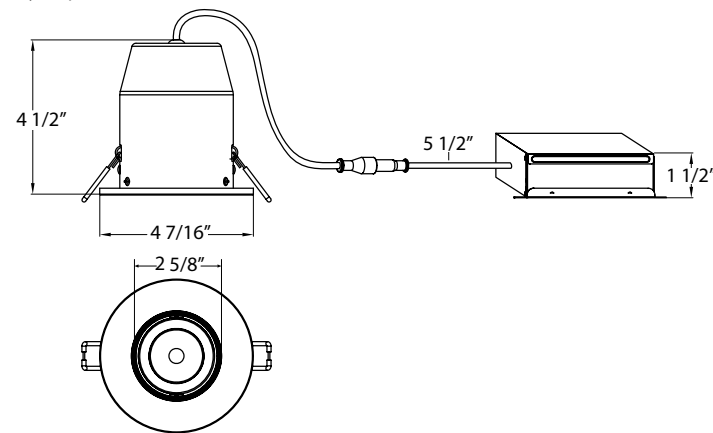
IC AIRTIGHT RATED



PRODUCT DIMENSION:



ø3 5/8"



HOUSING OPTIONS (SOLD SEPARATELY):



NO IC BOX REQUIRED

NEW CONSTRUCTION PLATE 33520-018



Cut Hole:
3 5/8"

Dimension:
11 5/8"L x 7 1/8"W x 1 3/8"H



31224 3 1/2" GIMBAL LED RECESSED

HOUSING

- 18 gauge powder coated steel housing
- Remodel housing complete with adjustable mounting clips suitable for 1/2" and 5/8" drywall
- New construction plate sold separately (refer to housing options)*

GIMBAL

- Adjustable direction suit different application requirement
- **Tilt:** 30°

LAMPING

- 1 x 10W Integrated LED TRIAC Dimming. For 0-10V and alternate dimming options consult Eurofase.
- **Beam angle:** 40°
- **Kelvin:** 3000K
- **Lumen per head:** 950lm
- **CRI:** 80+
- **IC Airtight Rated:** Yes

ELECTRICAL

- Class 2 dimmable constant current driver (included)
- Driver box mates to fixture by 12" flexible low voltage cable
- Thermally protected
- **Input voltage:** 120V. For 277V and 347V input options consult Eurofase.

DIMENSIONS

- **Cut hole:** ø3 5/8"
- **Fixture:** ø2 7/16" x 4 1/2"H

CUSTOMIZATION

- For customization, please consult Eurofase



Driver box included

SPECIFICATION:



WATTS	LUMENS	KELVIN	DIMMABLE	CRI	IC AIRTIGHT RATED	BEAM ANGLE	TILT
10W	950lm	3000K	TRIAC	80+	YES	40°	30°

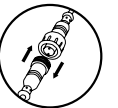
FINISHES:



-02 White



-04 Brushed Nickel



QUICK CONNECT



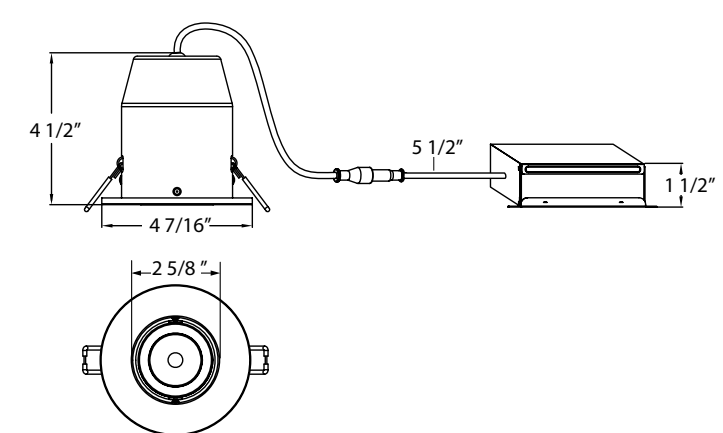
IC AIRTIGHT RATED



PRODUCT DIMENSION:



ø3 5/8"



HOUSING OPTIONS (SOLD SEPARATELY):



NO IC BOX REQUIRED

NEW CONSTRUCTION PLATE 33520-018



Cut Hole:
3 5/8"

Dimension:
11 5/8"L x 7 1/8"W x 1 3/8"H

3 1/2" LED RECESSED



31667 3 1/2" SHOWER LED RECESSED

- HOUSING**
- 18 gauge powder coated steel housing
 - Remodel housing complete with adjustable mounting clips suitable for 1/2" and 5/8" drywall
 - New construction plate sold separately (refer to housing options)*

- LAMPING**
- 1 x 10W Integrated LED TRIAC Dimming. For 0-10V and alternate dimming options consult Eurofase.
 - **Beam angle:** 120°
 - **Kelvin:** 3000K
 - **Lumen per head:** 950lm
 - **CRI:** 80+
 - **IC Airtight Rated:** Yes

- ELECTRICAL**
- Class 2 dimmable constant current driver (included)
 - Driver box mates to fixture by 12" flexible low voltage cable
 - Thermally protected
 - **Input voltage:** 120V. For 277V and 347V input options consult Eurofase.

- DIMENSIONS**
- **Cut hole:** ø3 5/8"
 - **Fixture:** ø4 1/2" x 4 1/2"H

- CUSTOMIZATION**
- For customization, please consult Eurofase



Driver box included

SPECIFICATION:



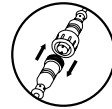
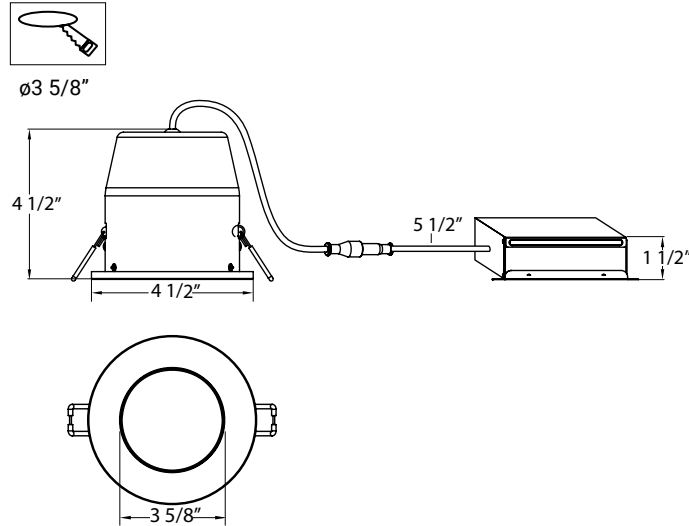
WATTS	LUMENS	KELVIN	DIMMABLE	CRI	IC AIRTIGHT RATED	BEAM ANGLE
10W	950lm	3000K	TRIAC	80+	YES	120°

FINISHES:



-57 White -123 Chrome -101 Satin Nickel

PRODUCT DIMENSION:



QUICK CONNECT



IC AIRTIGHT RATED



HOUSING OPTIONS (SOLD SEPARATELY):



NO IC BOX REQUIRED

NEW CONSTRUCTION PLATE
33520-018



Cut Hole:
3 5/8"

Dimension:
11 5/8"L x 7 1/8"W x 1 3/8"H



31228-57 3 1/2" SHOWER DOME LED RECESSED

- HOUSING**
- 18 gauge powder coated steel housing
 - Remodel housing complete with adjustable mounting clips suitable for 1/2" and 5/8" drywall
 - New construction plate sold separately (refer to housing options)*

- LAMPING**
- 1 x 10W Integrated LED TRIAC Dimming. For 0-10V and alternate dimming options consult Eurofase.
 - **Beam angle:** 180°
 - **Kelvin:** 3000K
 - **Lumen per head:** 950lm
 - **CRI:** 80+
 - **IC Airtight Rated:** Yes

- ELECTRICAL**
- Class 2 dimmable constant current driver (included)
 - Driver box mates to fixture by 12" flexible low voltage cable
 - Thermally protected
 - **Input voltage:** 120V. For 277V and 347V input options consult Eurofase.

- DIMENSIONS**
- **Cut hole:** ø3 5/8"
 - **Fixture:** ø4 1/2" x 5 3/4"H

- CUSTOMIZATION**
- For customization, please consult Eurofase



Driver box included

SPECIFICATION:



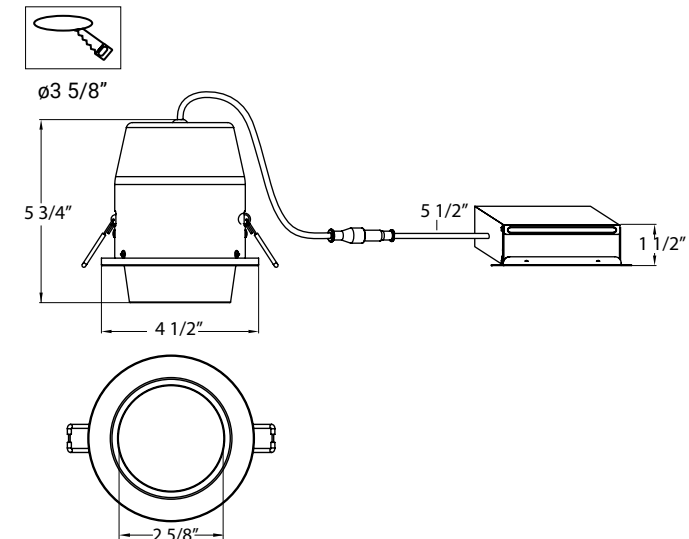
WATTS	LUMENS	KELVIN	DIMMABLE	CRI	IC AIRTIGHT RATED	BEAM ANGLE
10W	950lm	3000K	TRIAC	80+	YES	180°

FINISHES:



-57 White/Frost

PRODUCT DIMENSION:



QUICK CONNECT



IC AIRTIGHT RATED



HOUSING OPTIONS (SOLD SEPARATELY):



NO IC BOX REQUIRED

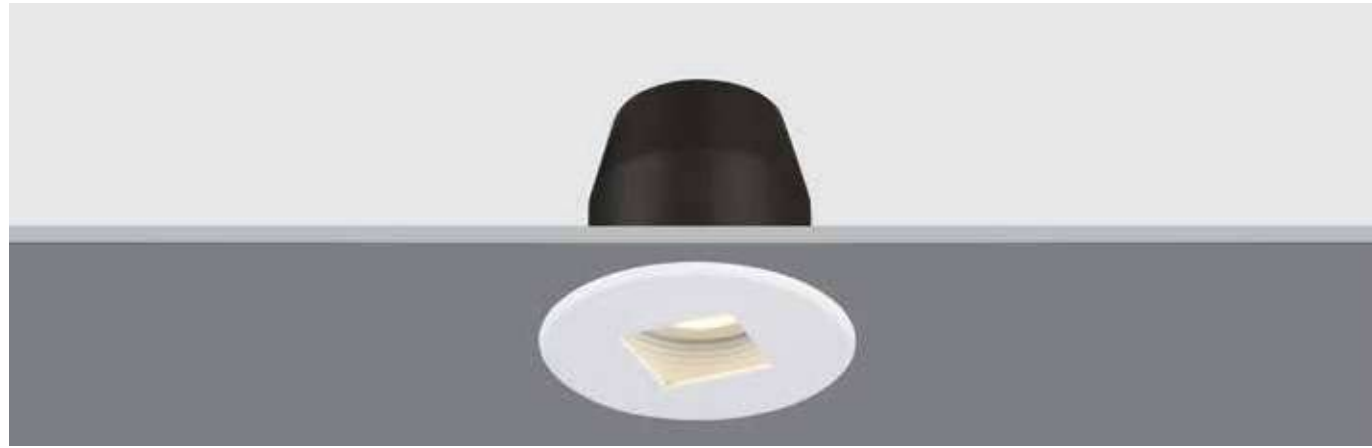
NEW CONSTRUCTION PLATE
33520-018



Cut Hole:
3 5/8"

Dimension:
11 5/8"L x 7 1/8"W x 1 3/8"H

3 1/2" LED RECESSED



31220-02 3 1/2" ROUND REGRESS LED RECESSED

HOUSING

- 18 gauge powder coated steel housing
- Remodel housing complete with adjustable mounting clips suitable for 1/2" and 5/8" drywall
- New construction plate sold separately (refer to housing options)*

LAMPING

- 1 x 10W Integrated LED TRIAC Dimming. For 0-10V and alternate dimming options consult Eurofase.
- **Beam angle:** 40°
- **Kelvin:** 3000K
- **Lumen per head:** 950lm
- **CRI:** 80+
- **IC Airtight Rated:** Yes

ELECTRICAL

- Class 2 dimmable constant current driver (included)
- Driver box mates to fixture by 12" flexible low voltage cable
- Thermally protected
- **Input voltage:** 120V. For 277V and 347V input options consult Eurofase.

DIMENSIONS

- **Cut hole:** ϕ 3 5/8"
- **Fixture:** ϕ 4 1/2" x 4 1/2"H

CUSTOMIZATION

- For customization, please consult Eurofase



Driver box included

SPECIFICATION:

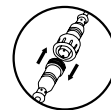


WATTS	LUMENS	KELVIN	DIMMABLE	CRI	IC AIRTIGHT RATED	BEAM ANGLE
10W	950lm	3000K	TRIAC	80+	YES	40°

FINISHES:



-02 White



QUICK CONNECT



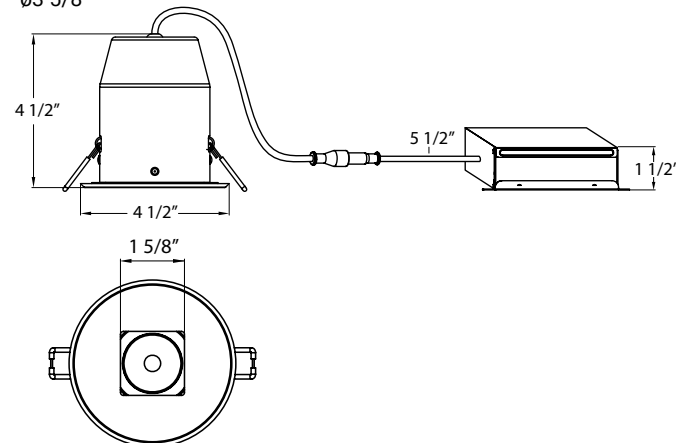
IC AIRTIGHT RATED



PRODUCT DIMENSION:



ϕ 3 5/8"



HOUSING OPTIONS (SOLD SEPARATELY):



NO IC BOX REQUIRED

NEW CONSTRUCTION PLATE 33520-018



Cut Hole:
3 5/8"

Dimension:
11 5/8"L x 7 1/8"W x 1 3/8"H



31218-02 3 1/2" SQUARE BAFFLE LED RECESSED

HOUSING

- 18 gauge powder coated steel housing
- Remodel housing complete with adjustable mounting clips suitable for 1/2" and 5/8" drywall
- New construction plate sold separately (refer to housing options)*

LAMPING

- 1 x 10W Integrated LED TRIAC Dimming. For 0-10V and alternate dimming options consult Eurofase.
- **Beam angle:** 40°
- **Kelvin:** 3000K
- **Lumen per head:** 950lm
- **CRI:** 80+
- **IC Airtight Rated:** Yes

ELECTRICAL

- Class 2 dimmable constant current driver (included)
- Driver box mates to fixture by 12" flexible low voltage cable
- Thermally protected
- **Input voltage:** 120V. For 277V and 347V input options consult Eurofase.

DIMENSIONS

- **Cut hole:** ϕ 3 5/8"
- **Fixture:** 4 1/4"L x 4 1/4"W x 4 1/2"H

CUSTOMIZATION

- For customization, please consult Eurofase



Driver box included

SPECIFICATION:

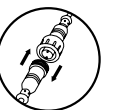


WATTS	LUMENS	KELVIN	DIMMABLE	CRI	IC AIRTIGHT RATED	BEAM ANGLE
10W	950lm	3000K	TRIAC	80+	YES	40°

FINISHES:



-02 White



QUICK CONNECT



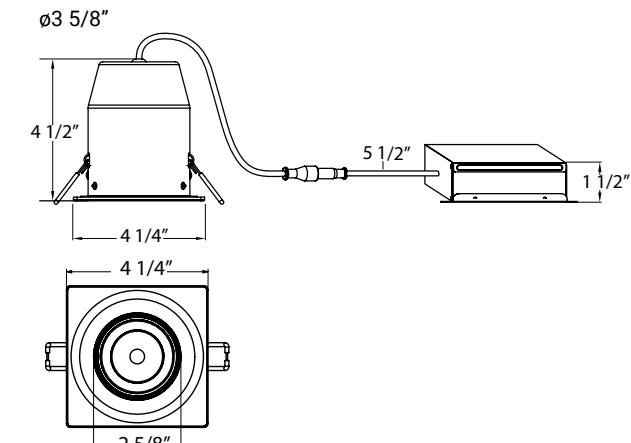
IC AIRTIGHT RATED



PRODUCT DIMENSION:



ϕ 3 5/8"



HOUSING OPTIONS (SOLD SEPARATELY):



NO IC BOX REQUIRED

NEW CONSTRUCTION PLATE 33520-018



Cut Hole:
3 5/8"

Dimension:
11 5/8"L x 7 1/8"W x 1 3/8"H

3 1/2" LED RECESSED



31222-02 3 1/2" SQUARE REGRESS LED RECESSED

HOUSING

- 18 gauge powder coated steel housing
- Remodel housing complete with adjustable mounting clips suitable for 1/2" and 5/8" drywall
- New construction plate sold separately (refer to housing options)*

LAMPING

- 1 x 10W Integrated LED TRIAC Dimming. For 0-10V and alternate dimming options consult Eurofase.
- **Beam angle:** 30°
- **Kelvin:** 3000K
- **Lumen per head:** 950lm
- **CRI:** 80+
- **IC Airtight Rated:** Yes

ELECTRICAL

- Class 2 dimmable constant current driver (included)
- Driver box mates to fixture by 12" flexible BX cable
- Thermally protected
- **Input voltage:** 120V. For 277V and 347V input options consult Eurofase.

DIMENSIONS

- **Cut hole:** $\phi 3 \frac{5}{8}$ "
- **Fixture:** 4 1/4"L x 4 1/4"W x 4 1/2"H

CUSTOMIZATION

- For customization, please consult Eurofase



Driver box included

SPECIFICATION:

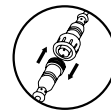


WATTS	LUMENS	KELVIN	DIMMABLE	CRI	IC AIRTIGHT RATED	BEAM ANGLE
10W	950lm	3000K	TRIAC	80+	YES	30°

FINISHES:



-02 White



QUICK CONNECT



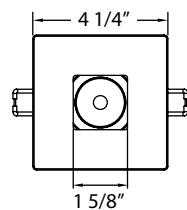
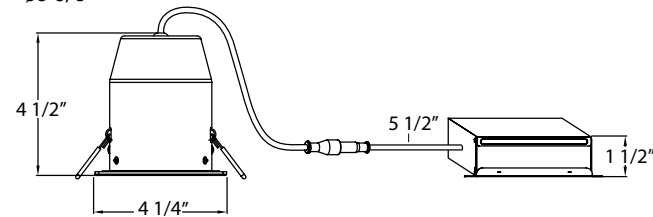
IC AIRTIGHT RATED



PRODUCT DIMENSION:



$\phi 3 \frac{5}{8}$ "



HOUSING OPTIONS (SOLD SEPARATELY):



NO IC BOX REQUIRED

NEW CONSTRUCTION PLATE 33520-018



Cut Hole:
3 5/8"

Dimension:
11 5/8"L x 7 1/8"W x 1 3/8"H



31681-49 3 1/2" SPECULAR LED RECESSED

HOUSING

- 18 gauge powder coated steel housing
- Remodel housing complete with adjustable mounting clips suitable for 1/2" and 5/8" drywall
- New construction plate sold separately (refer to housing options)*

LAMPING

- 1 x 10W Integrated LED TRIAC Dimming. For 0-10V and alternate dimming options consult Eurofase.
- **Beam angle:** 40°
- **Kelvin:** 3000K
- **Lumen per head:** 950lm
- **CRI:** 80+
- **IC Airtight Rated:** Yes

ELECTRICAL

- Class 2 dimmable constant current driver (included)
- Driver box mates to fixture by 12" flexible low voltage cable
- Thermally protected
- **Input voltage:** 120V. For 277V and 347V input options consult Eurofase.

DIMENSIONS

- **Cut hole:** $\phi 3 \frac{5}{8}$ "
- **Fixture:** $\phi 4 \frac{1}{2}$ " x 4 1/2"H

CUSTOMIZATION

- For customization, please consult Eurofase



Driver box included

SPECIFICATION:



WATTS	LUMENS	KELVIN	DIMMABLE	CRI	IC AIRTIGHT RATED	BEAM ANGLE
10W	950lm	3000K	TRIAC	80+	YES	40°

FINISHES:



-49 White/Chrome



QUICK CONNECT



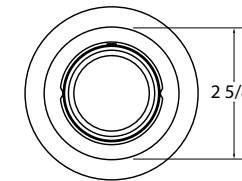
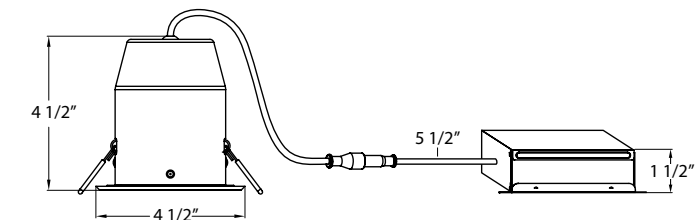
IC AIRTIGHT RATED



PRODUCT DIMENSION:



$\phi 3 \frac{5}{8}$ "



HOUSING OPTIONS (SOLD SEPARATELY):



NO IC BOX REQUIRED

NEW CONSTRUCTION PLATE 33520-018



Cut Hole:
3 5/8"

Dimension:
11 5/8"L x 7 1/8"W x 1 3/8"H

4" LED RECESSED



34896 4" ROUND GIMBAL LED RECESSED

HOUSING

- Cast aluminum structure
- Remodel housing complete with adjustable mounting clips suitable for 1/2" and 5/8" drywall
- New construction plate, insulated ceiling box sold separately (refer to housing options)*

LAMPING

- 1 x 11W Integrated LED TRIAC Dimming. For 0-10V and alternate dimming options consult Eurofase.
- **Beam angle:** 40°
- **Kelvin:** 3000K / 4000K
- **Lumen per head:** 950lm
- **CRI:** 90+

ELECTRICAL

- Class 2 dimmable constant current driver (included)
- Thermally protected
- **Input voltage:** 120V. For 277V and 347V input options consult Eurofase.

DIMENSIONS

- **Cut hole:** $\phi 4 \frac{1}{8}$ "
- **Fixture:** $\phi 4 \frac{7}{8}$ " x $2 \frac{1}{4}$ "H

CUSTOMIZATION

- For customization, please consult Eurofase



Driver box included

ORDERING GUIDE:

MODEL	KELVIN	FINISH
34896	-30 3000K	-01 Black
	-40 4000K	-02 White

EXAMPLE: 34896-30-01

SPECIFICATION:



WATTS PER HEAD	LUMENS PER HEAD	KELVIN	DIMMABLE	CRI	BEAM ANGLE
11W	950lm	3000K / 4000K	TRIAC	90+	40°

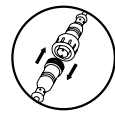
FINISHES:



-01 Black

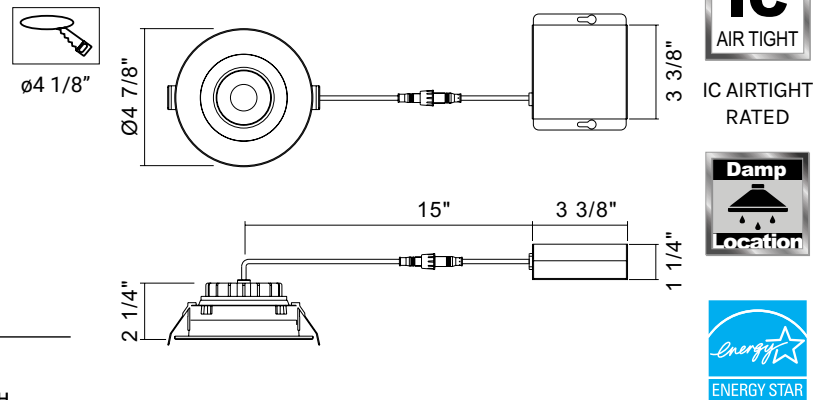


-02 White



QUICK CONNECT

PRODUCT DIMENSION:



HOUSING OPTIONS (SOLD SEPARATELY):



NO IC BOX
REQUIRED

NEW CONSTRUCTION PLATE 35462-019



Cut Hole:
 $\phi 4 \frac{1}{8}$ "

Dimension:
9"L x 6"W x 7/8"H



21809-019 4" ROUND SPECULAR LED RECESSED

HOUSING

- 18 gauge powder coated steel housing
- Remodel housing complete with adjustable mounting clips suitable for 1/2" and 5/8" drywall
- New construction plate, insulated ceiling box sold separately (refer to housing options)*

LAMPING

- 1 x 15W Integrated LED TRIAC Dimming. For 0-10V and alternate dimming options consult Eurofase.
- **Beam angle:** 40°
- **Kelvin:** 3000K
- **Lumen per head:** 1290lm
- **CRI:** 85+

ELECTRICAL

- Class 2 dimmable constant current driver (included)
- Driver box mates to fixture by 12" flexible BX cable
- Thermally protected
- **Input voltage:** 120V. For 277V and 347V input options consult Eurofase.

DIMENSIONS

- **Cut hole:** $\phi 3 \frac{3}{4}$ "
- **Fixture:** $\phi 4 \frac{5}{16}$ " x $6 \frac{1}{2}$ "H

CUSTOMIZATION

- For customization, please consult Eurofase



Driver box included

SPECIFICATION:



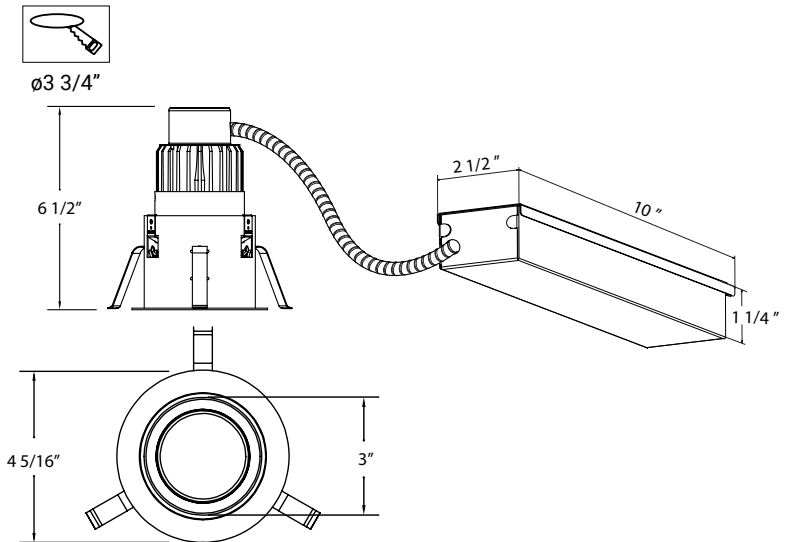
WATTS	LUMENS	KELVIN	DIMMABLE	CRI	BEAM ANGLE
15W	1290lm	3000K	TRIAC	85+	40°

FINISHES:



-019 White/Chrome

PRODUCT DIMENSION:



HOUSING OPTIONS (SOLD SEPARATELY):

NEW CONSTRUCTION PLATE 32007-015



Cut Hole:
 $3 \frac{3}{4}$ "

Dimension:
9 1/4"L x 9 1/4"W x 1 3/8"H

INSULATED CEILING BOX 31997-010



Cut Hole:
 $3 \frac{3}{4}$ "

Dimension:
11"L x 9"W x 9 1/2"H

4" LED RECESSED



21968-013 4" SQUARE SPECULAR LED RECESSED

HOUSING

- 18 gauge powder coated steel housing
- Remodel housing complete with adjustable mounting clips suitable for 1/2" and 5/8" drywall
- New construction plate, insulated ceiling box sold separately (refer to housing options)*

LAMPING

- 1 x 15W Integrated LED TRIAC Dimming. For 0-10V and alternate dimming options consult Eurofase.
- **Beam angle:** 40°
- **Kelvin:** 3000K
- **Lumen per head:** 1290lm
- **CRI:** 85+

ELECTRICAL

- Class 2 dimmable constant current driver (included)
- Driver box mates to fixture by 12" flexible BX cable
- Thermally protected
- **Input voltage:** 120V. For 277V and 347V input options consult Eurofase.

DIMENSIONS

- **Cut hole:** 3 7/8" L x 3 7/8" W
- **Fixture:** 4 5/16" L x 4 5/16" W x 6 1/2" H

CUSTOMIZATION

- For customization, please consult Eurofase



Driver box included

SPECIFICATION:



WATTS	LUMENS	KELVIN	DIMMABLE	CRI	BEAM ANGLE
15W	1290lm	3000K	TRIAC	85+	40°

FINISHES:

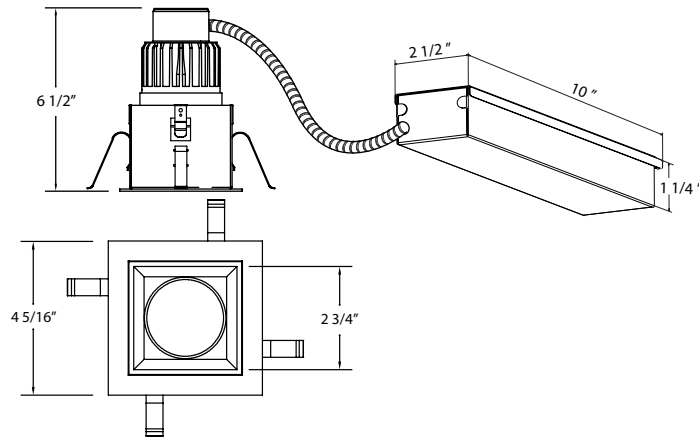


-013 White/Chrome

PRODUCT DIMENSION:



3 7/8" L x 3 7/8" W



HOUSING OPTIONS (SOLD SEPARATELY):

NEW CONSTRUCTION PLATE 32010-015



Cut Hole:
3 7/8" x 3 7/8"

Dimension:
9 1/4" L x 9 1/4" W x 1 3/8" H

INSULATED CEILING BOX 32000-016



Cut Hole:
3 7/8" x 3 7/8"

Dimension:
11" L x 9" W x 9 1/2" H



4RM 4" NON-IC REMODEL HOUSING



HOUSING

- 18 gauge galvanized steel housing
- Housing complete with adjustable mounting clips
- Suitable for 1/2" and 5/8" drywall
- Junction box is listed for through branch wiring and has six 3/4" and one 1" knockouts with true pry-out slots. Four Romex knockouts included built in strain relief and require no additional clamps

LAMPING

- Available in 16W 1200lm, 25W 2000lm or 38W 3000lm high efficiency LED
- **Beam angle:** 20°/40°
- **Color temperature:** 3000K/3500K/4000K
- **CRI:** 90+

ELECTRICAL

- Dimmable constant current driver (included)
- Fully dimmable down to 10%, with 0-10V and Triac dimming
- Thermally protected.
- Remote driver with junction box for easy access.
- Suitable for damp location

DIMENSIONS

- **Cut hole:** ø5"
- **Fixture:** ø6 7/16" x 7 1/8" H

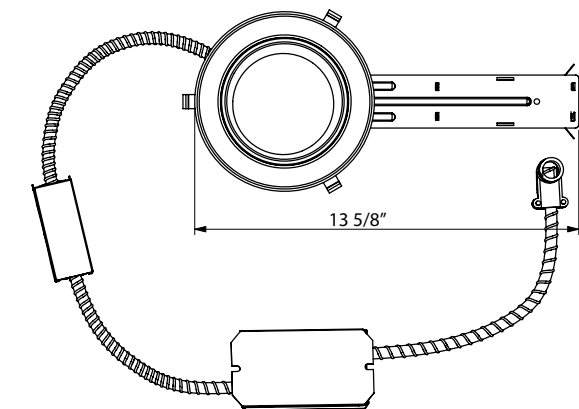
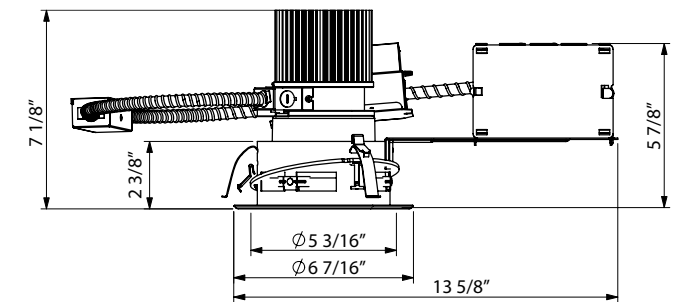
CUSTOMIZATION

- For customization, please consult Eurofase

PRODUCT DIMENSION:



ø5"



ORDERING GUIDE:

Example: 4RM-16-30-2-1-L-F-WP

MODEL	WATTAGE	KELVIN	BEAM ANGLE	DRIVER	DIMMING	REFLECTOR / LENS	TRIM / RING
4RM	-16 16W -25 25W -38 38W	-30 3000K -35 3500K -40 4000K	-2 Narrow 20° -4 Wide 40°	-1 120V -2 277V -3 347V	-L 0-10V Dimming -T Triac Dimming	-S Semi-Specular -W White -F Frosted Lens -X Wall Washer	-WP White Plastic -BP Black Plastic -SN Satin Nickel -WM White Metal -BM Black Metal

4" LED RECESSED



4NC 4" NON-IC NEW CONSTRUCTION HOUSING



HOUSING

- 18 gauge galvanized steel housing
- Junction box is listed for through branch wiring and has six 3/4" and one 1" knockouts with true pry-out slots. Four Romex knockouts included built in strain relief and require no additional clamps
- Nail free hanger bars are adjustable from 13-5/8" to 24"

LAMPING

- Available in 16W 1200lm, 25W 2000lm or 38W 3000lm high efficiency LED
- **Beam angle:** 20°/40°
- **Color temperature:** 3000K/3500K/4000K
- **CRI:** 90

ELECTRICAL

- Dimmable constant current driver (included)
- Fully dimmable down to 10%, with 0-10V and Triac dimming
- Thermally protected.
- Remote driver with junction box for easy access.
- Suitable for damp location

DIMENSIONS

- **Cut hole:** ø5"
- **Fixture:** 5 5/8"W x 6 3/16"H

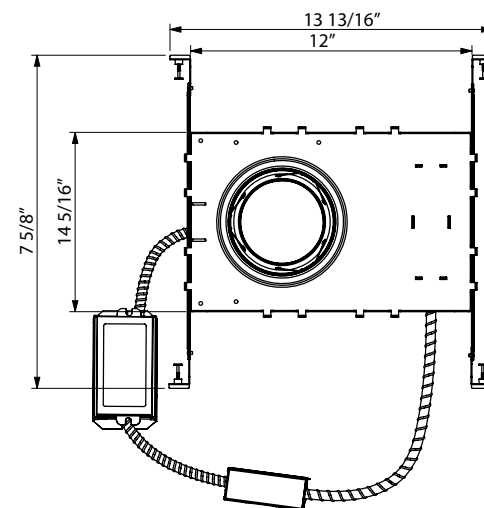
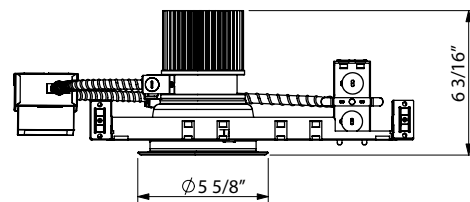
CUSTOMIZATION

- For customization, please consult Eurofase

PRODUCT DIMENSION:



ø5"



ORDERING GUIDE:

Example: 4NC-16-30-2-1-L-F-WP

MODEL	WATTAGE	KELVIN	BEAM ANGLE	DRIVER	DIMMING	REFLECTOR / LENS	TRIM / RING
4NC	-16 16W	-30 3000K	-2 Narrow 20°	-1 120V	-L 0-10V Dimming	-S Semi-Specular	-WP White Plastic
	-25 25W	-35 3500K	-4 Wide 40°	-2 277V	-T Triac Dimming	-W White	-BP Black Plastic
	-38 38W	-40 4000K		-3 347V		-F Frosted Lens	-SN Satin Nickel
						-X Wall Washer	-WM White Metal
							-BM Black Metal



4AP 4" NON-IC ARCHITECTURAL FRAME-IN HOUSING



HOUSING

- 18 gauge galvanized steel housing
- Housing complete with adjustable mounting clips
- Universal brackets accept C-Channel or flat bar hangers, or 1/2" steel conduit to secure to ceiling
- Junction box is listed for through branch wiring and has six 3/4" and one 1" knockouts with true pry-out slots. Four Romex knockouts included built in strain relief and require no additional clamps

LAMPING

- Available in 16W 1200lm, 25W 2000lm or 38W 3000lm high efficiency LED
- **Beam angle:** 20°/40°
- **Color temperature:** 3000K/3500K/4000K
- **CRI:** 90+

ELECTRICAL

- Dimmable constant current driver (included)
- Fully dimmable down to 10%, with 0-10V and Triac dimming
- Thermally protected.
- Remote driver with junction box for easy access.
- Suitable for damp location

DIMENSIONS

- **Cut hole:** ø5"
- **Fixture:** 5 5/8"W x 6 3/16"H

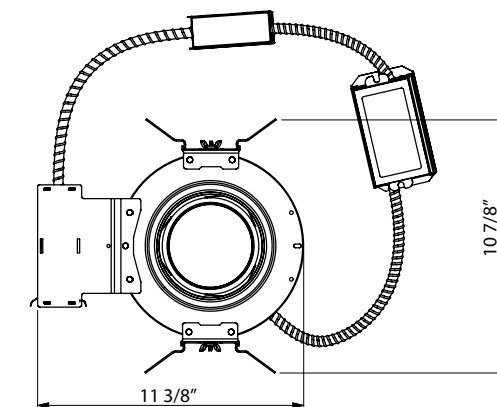
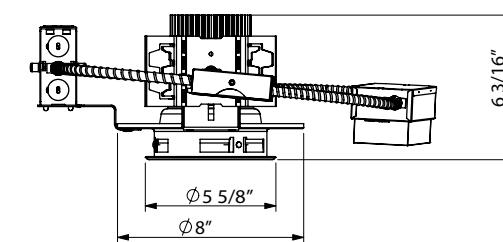
CUSTOMIZATION

- For customization, please consult Eurofase

PRODUCT DIMENSION:



ø5"



ORDERING GUIDE:

Example: 4AP-16-30-2-1-L-F-WP

MODEL	WATTAGE	KELVIN	BEAM ANGLE	DRIVER	DIMMING	REFLECTOR / LENS	TRIM / RING
4AP	-16 16W	-30 3000K	-2 Narrow 20°	-1 120V	-L 0-10V Dimming	-S Semi-Specular	-WP White Plastic
	-25 25W	-35 3500K	-4 Wide 40°	-2 277V	-T Triac Dimming	-W White	-BP Black Plastic
	-38 38W	-40 4000K		-3 347V		-F Frosted Lens	-SN Satin Nickel
						-X Wall Washer	-WM White Metal
							-BM Black Metal

4" LED RECESSED



29682 4" NON-IC REMODEL HOUSING

HOUSING

- 18 gauge powder coated steel housing
- Junction box is listed for through branch wiring and has five 3/8" with true pry-out slots
- Housing complete with adjustable mounting clips
- Suitable for 1/2" and 5/8" drywall

LAMPING

- 1 x 45W Integrated LED TRIAC and 0-10V Dimming. For alternate dimming options consult Eurofase.
- **Beam angle:** 40°
- **Kelvin:** 3000K
- **Lumen per head:** 3000lm
- **CRI:** 80+

ELECTRICAL

- Class 2 dimmable constant current driver (included)
- Driver box mates to fixture by 12" flexible BX cable
- Thermally protected
- **Input voltage:** 120V. For 277V and 347V input options consult Eurofase.

DIMENSIONS

- **Cut hole:** $\phi 4 \frac{1}{2}"$
- **Fixture:** $\phi 5 \frac{7}{16}" \times 7 \frac{1}{4}"$ H

CUSTOMIZATION

- For customization, please consult Eurofase

SPECIFICATION:



WATTS	LUMENS	KELVIN	DIMMABLE	CRI	BEAM ANGLE
45W	3000lm	3000K	TRIAC / 0-10V	80+	40°

FINISHES:

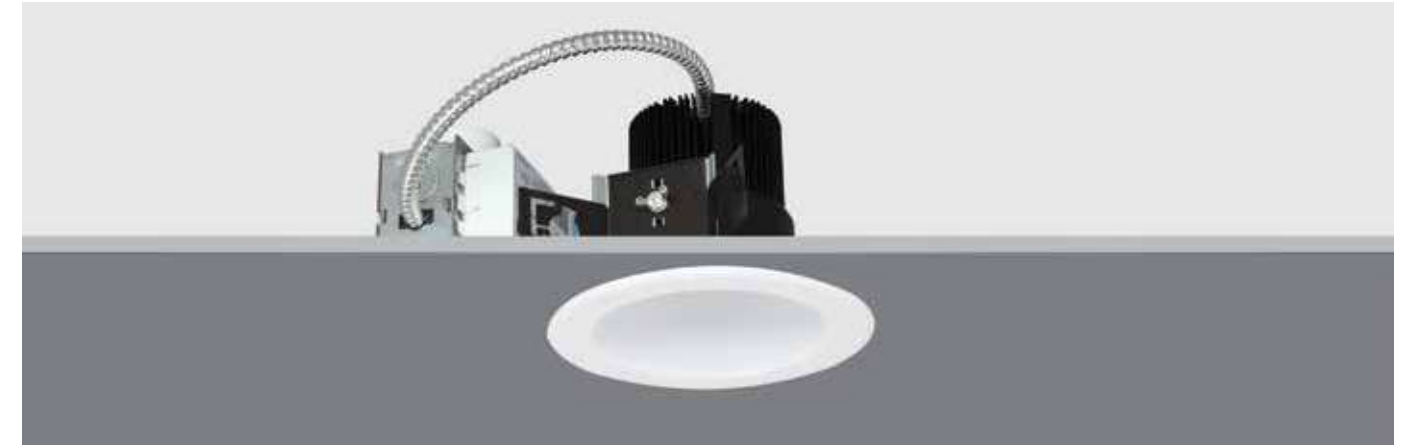
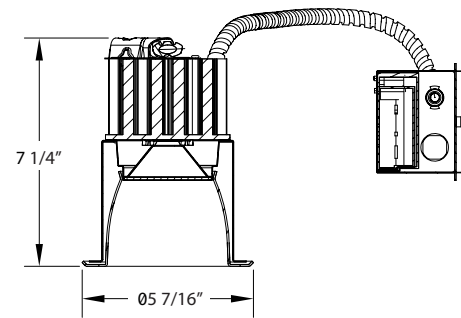


-010 White/White -028 White/Chrome

PRODUCT DIMENSION:



$\phi 4 \frac{1}{2}"$



29681 4" NON-IC NEW CONSTRUCTION HOUSING

HOUSING

- 18 gauge powder coated steel housing
- Universal brackets accept C-Channel or flat bar hangers, or 1/2" steel conduit to secure to ceiling
- Junction box is listed for through branch wiring and has six 3/8" and five 1" knockouts with true pry-out slots. Four Romex knockouts included built in strain relief and require no additional clamps

LAMPING

- 1 x 45W Integrated LED TRIAC and 0-10V Dimming. For alternate dimming options consult Eurofase.
- **Beam angle:** 40°
- **Kelvin:** 3000K
- **Lumen per head:** 3000lm
- **CRI:** 80+
- **IP Rating:** IP20

ELECTRICAL

- Class 2 dimmable constant current driver (included)
- Driver box mates to fixture by 12" flexible BX cable
- Thermally protected
- **Input voltage:** 120V. For 277V and 347V input options consult Eurofase.

DIMENSIONS

- **Cut hole:** $\phi 4 \frac{3}{4}"$
- **Fixture:** $11 \frac{5}{16}"$ L x $10 \frac{3}{4}"$ W x $7 \frac{1}{4}"$ H

CUSTOMIZATION

- For customization, please consult Eurofase

SPECIFICATION:



WATTS	LUMENS	KELVIN	DIMMABLE	CRI	BEAM ANGLE
45W	3000lm	3000K	TRIAC / 0-10V	80+	40°

FINISHES:

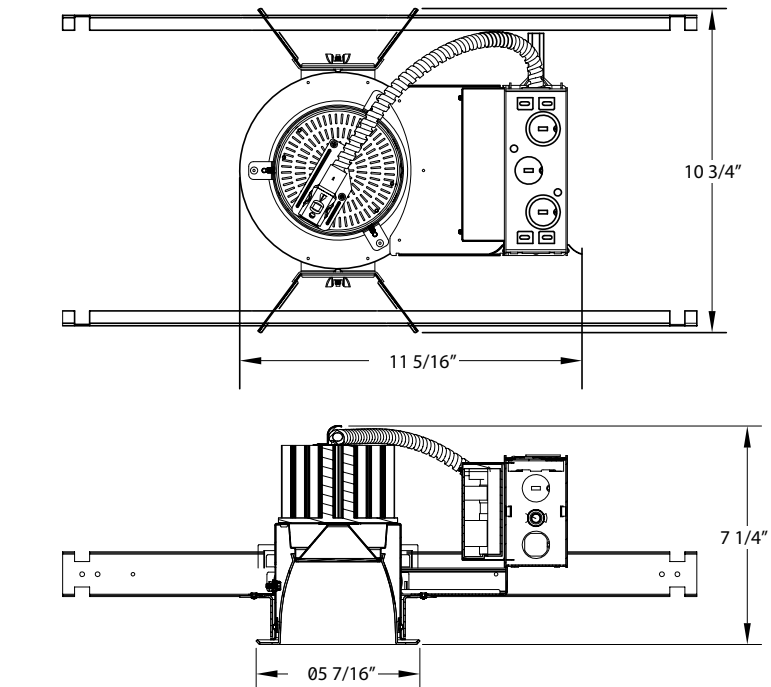


-013 White/White -024 White/Chrome

PRODUCT DIMENSION:



$\phi 4 \frac{3}{4}"$



5" LED RECESSED



21811-012
5" ROUND SPECULAR LED RECESSED

- HOUSING**
- 18 gauge powder coated steel housing
 - Remodel housing complete with adjustable mounting clips suitable for 1/2" and 5/8" drywall
 - New construction plate, insulated ceiling box sold separately (refer to housing options)*

- LAMPING**
- 1 x 30W Integrated LED TRIAC Dimming. For 0-10V and alternate dimming options consult Eurofase.
 - **Beam angle:** 30°
 - **Kelvin:** 3000K
 - **Lumen per head:** 2632lm
 - **CRI:** 85+

- ELECTRICAL**
- Class 2 dimmable constant current driver (included)
 - Driver box mates to fixture by 12" flexible BX cable
 - Thermally protected
 - **Input voltage:** 120V. For 277V and 347V input options consult Eurofase.

- DIMENSIONS**
- **Cut hole:** ϕ 4 1/2"
 - **Fixture:** ϕ 5 1/2" x 7 1/2"H

- CUSTOMIZATION**
- For customization, please consult Eurofase



Driver box included

SPECIFICATION:



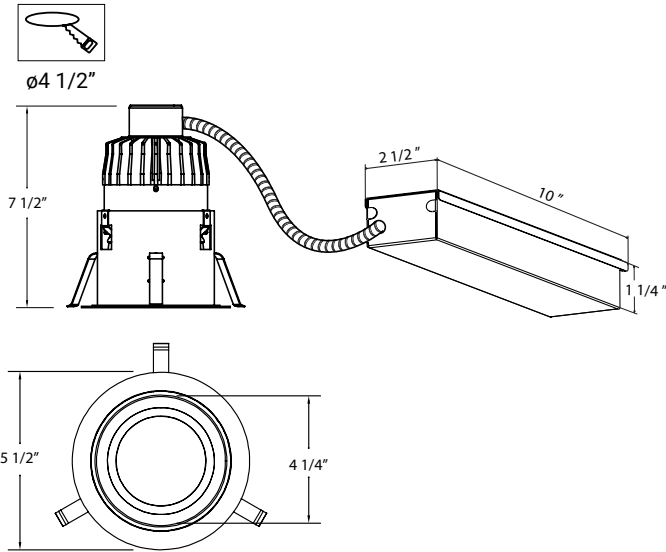
WATTS	LUMENS	KELVIN	DIMMABLE	CRI	BEAM ANGLE
30W	2632lm	3000K	TRIAC	85+	30°

FINISHES:



-012 White/Chrome

PRODUCT DIMENSION:



HOUSING OPTIONS (SOLD SEPARATELY):

NEW CONSTRUCTION PLATE
32008-012



Cut Hole:
4 1/2"

Dimension:
9 1/4"L x 9 1/4"W x 1 3/8"H

INSULATED CEILING BOX
31998-017



Cut Hole:
4 1/2"

Dimension:
11 1/4"L x 12 3/4"W x 11 1/2"H



21970-016
5" SQUARE SPECULAR LED RECESSED

- HOUSING**
- 18 gauge powder coated steel housing
 - Remodel housing complete with adjustable mounting clips suitable for 1/2" and 5/8" drywall
 - New construction plate, insulated ceiling box sold separately (refer to housing options)*

- LAMPING**
- 1 x 30W Integrated LED TRIAC Dimming. For 0-10V and alternate dimming options consult Eurofase.
 - **Beam angle:** 25°
 - **Kelvin:** 3000K
 - **Lumen per head:** 2632lm
 - **CRI:** 85+

- ELECTRICAL**
- Class 2 dimmable constant current driver (included)
 - Driver box mates to fixture by 12" flexible BX cable
 - Thermally protected
 - **Input voltage:** 120V. For 277V and 347V input options consult Eurofase.

- DIMENSIONS**
- **Cut hole:** 4 7/8"L x 4 7/8"W
 - **Fixture:** 5 1/2"L x 5 1/2"W x 7 1/2"H

- CUSTOMIZATION**
- For customization, please consult Eurofase



Driver box included

SPECIFICATION:



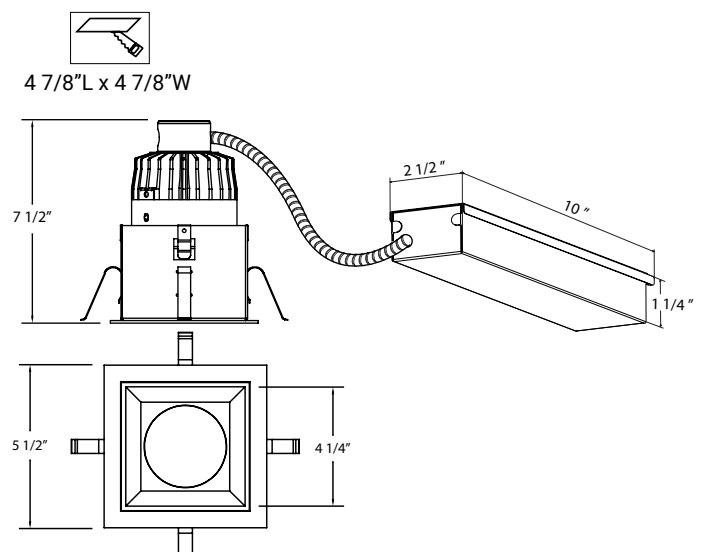
WATTS	LUMENS	KELVIN	DIMMABLE	CRI	BEAM ANGLE
30W	2632lm	3000K	TRIAC	85+	40°

FINISHES:



-016 White/Chrome

PRODUCT DIMENSION:



HOUSING OPTIONS (SOLD SEPARATELY):

NEW CONSTRUCTION PLATE
32013-016



Cut Hole:
4 7/8" x 4 7/8"

Dimension:
9 1/4"L x 9 1/4"W x 1 3/8"H

INSULATED CEILING BOX
32639-018



Cut Hole:
4 7/8" x 4 7/8"

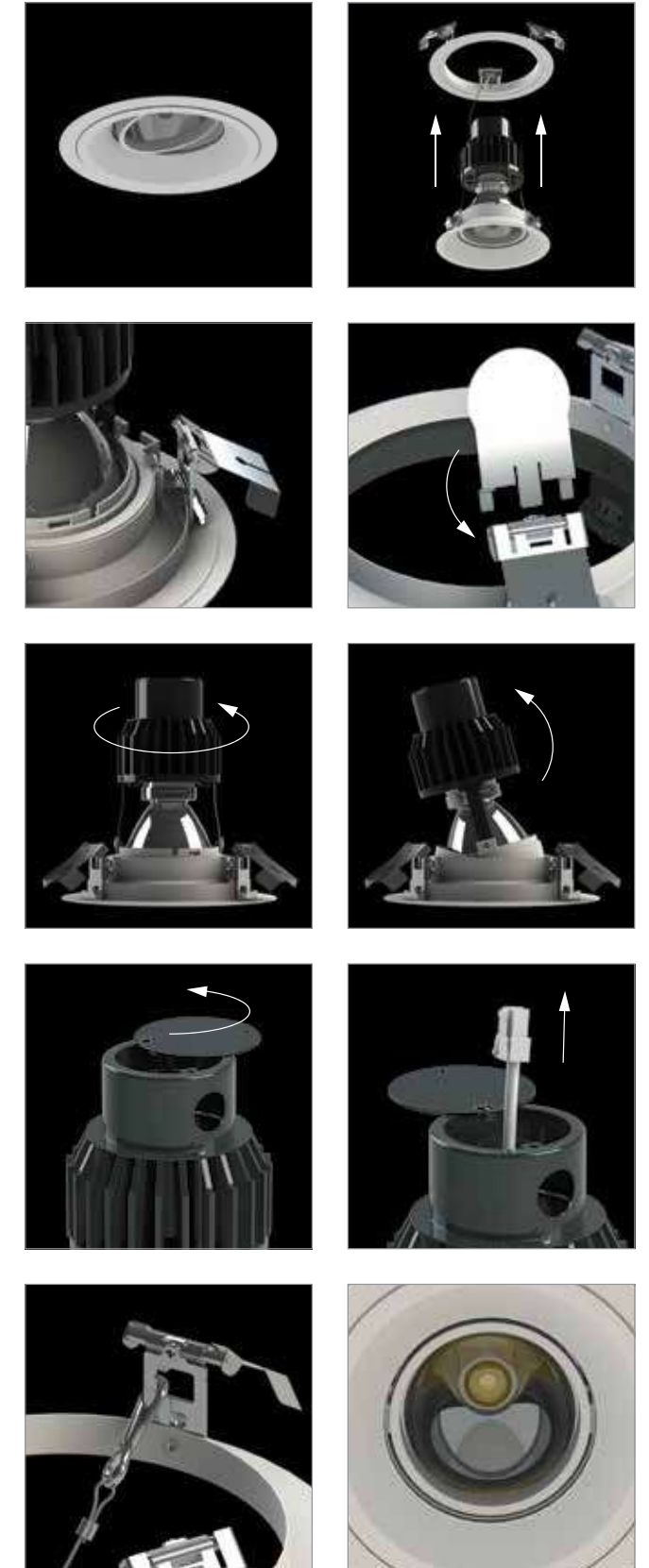
Dimension:
11 1/4"L x 12 13/16"W x 11 1/2"H



GIMBAL LED RECESSED



Architectural LED Recessed



- Flush mounted with ceiling. Full function directional capability vertically and horizontally adjustable.
- Frame-in structure. Easy installation and maintenance.
- Ratcheted clips. Ease and accurate adjustment. Fit to different ceiling thickness. Comes with a clip tool for easy adjustment.
- Tension clips. Ease and accurate adjustment.
- "Quick-install" retro-fit system allows for ease of installation in most ceilings.
- "Quick connect" wiring from fixture to driver.
- Safety cables suspend the fixture allowing you to work "hands-free" during installation and servicing.
- Adjustable direction. Suit different application requirements.
- LED lighting technology provides high lighting performance in long life span.

6" LED RECESSED



21864-018
6" ARCHITECTURAL GIMBAL
LED RECESSED

HOUSING

- 18 gauge powder coated steel housing
- Remodel housing complete with adjustable mounting clips suitable for 1/2" and 5/8" drywall
- New construction plate, insulated ceiling box sold separately (refer to housing options)*

GIMBAL

- Adjustable direction suit different application requirement
- **Tilt:** 30°

LAMPING

- 1 x 13W Integrated LED TRIAC Dimming. For 0-10V and alternate dimming options consult Eurofase.
- **Beam angle:** 40°
- **Kelvin:** 3000K
- **Lumen per head:** 930lm
- **CRI:** 85+

ELECTRICAL

- Class 2 dimmable constant current driver (included)
- Driver box mates to fixture by 12" flexible BX cable
- Thermally protected
- **Input voltage:** 120V. For 277V and 347V input options consult Eurofase.

DIMENSIONS

- **Cut hole:** ϕ 5 5/8"
- **Fixture:** ϕ 6 1/4" x 6 1/2"H

CUSTOMIZATION

- For customization, please consult Eurofase



Driver box included

SPECIFICATION:



WATTS	LUMENS	KELVIN	DIMMABLE	CRI	BEAM ANGLE	TILT
13W	930lm	3000K	TRIAC	85+	40°	30°

FINISHES:

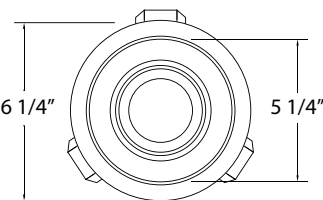
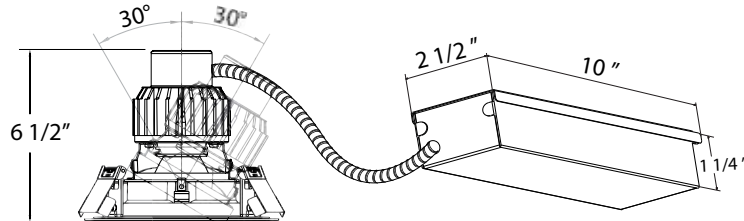


-018 White/White

PRODUCT DIMENSION:



ϕ 5 5/8"



HOUSING OPTIONS (SOLD SEPARATELY):

NEW CONSTRUCTION PLATE
32004-014



Cut Hole:
5 5/8"

Dimension:
9 1/4"L x 9 1/4"W x 1 3/8"H

INSULATED CEILING BOX
31994-019



Cut Hole:
5 5/8"

Dimension:
22"L x 12 13/16"W x 11 1/2"H



6" LED RECESSED



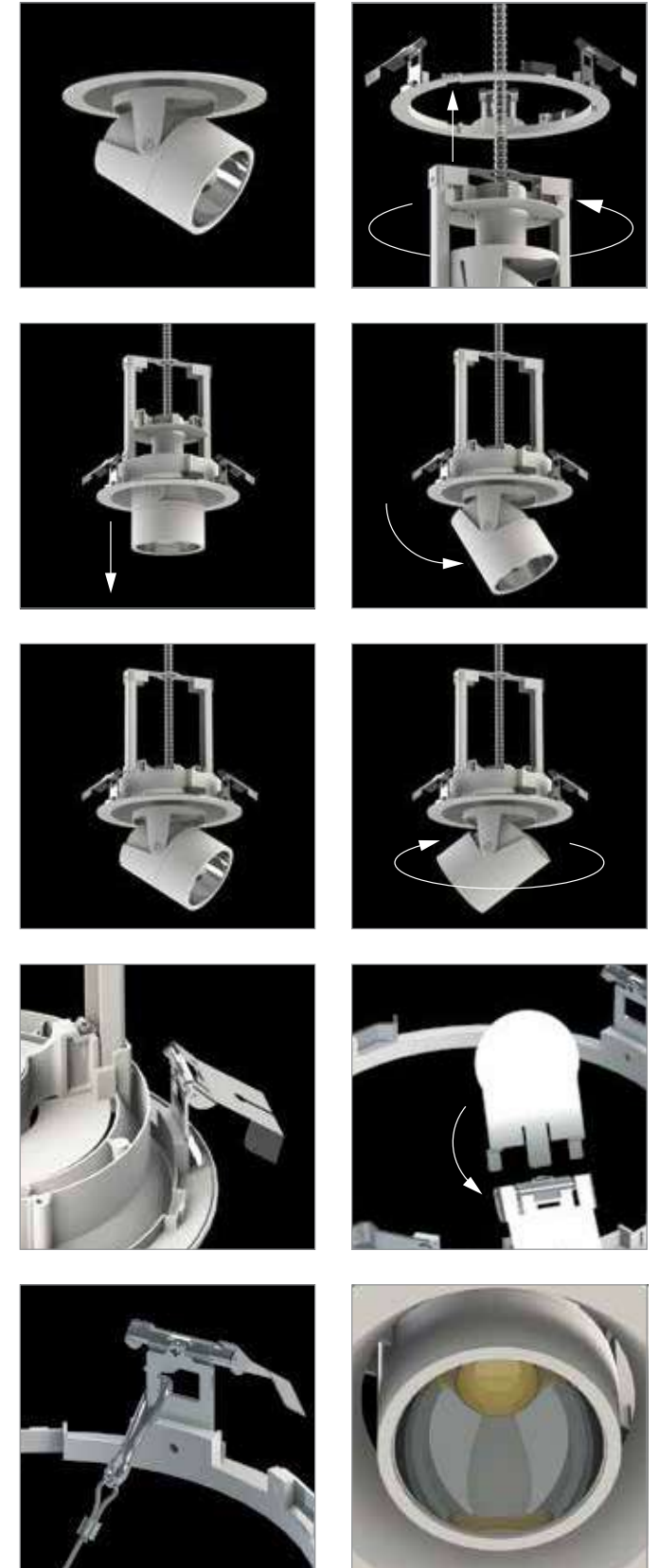
PULLDOWN LED RECESSED



Pull Down Recessed



- Flush mounted with ceiling. Full function directional capability while still have most of the units components hidden within the ceiling.
- Frame-in structure. Easy installation and maintenance.
- Vertically adjustable from 0° to 86°. Rotates 355° within the housing.
- Ratcheted clips. Ease and accurate adjustment. Fit to different ceiling thickness. Comes with a clip tool for easy adjustment.
- Tension clips. Ease and accurate adjustment.
- "Quick-install" retro-fit system allows for ease of installation in most ceilings.
- Safety cables suspend the fixture allowing you to work "hands-free" during installation and servicing.
- Adjustable direction. Suit different application requirements.
- LED lighting technology provides high lighting performance in long life span.



6" LED RECESSED



21813-016 6" PULLDOWN LED RECESSED

HOUSING

- 18 gauge powder coated steel housing
- Remodel housing complete with adjustable mounting clips suitable for 1/2" and 5/8" drywall
- New construction plate, insulated ceiling box sold separately (refer to housing options)*

PULLDOWN

- Adjustable direction suit different application requirement
- **Horizontal Adjustment:** 86°
- **Vertical Adjustment:** 355°

LAMPING

- 1 x 7W Integrated LED TRIAC Dimming. For 0-10V and alternate dimming options consult Eurofase.
- **Beam angle:** 30°
- **Kelvin:** 3000K
- **Lumen per head:** 440lm
- **CRI:** 85+

ELECTRICAL

- Class 2 dimmable constant current driver (included)
- Driver box mates to fixture by 12" flexible BX cable
- Thermally protected
- **Input voltage:** 120V. For 277V and 347V input options consult Eurofase.

DIMENSIONS

- **Cut hole:** $\phi 6 \frac{1}{4}$ "
- **Fixture:** $\phi 6 \frac{3}{4}$ " x 7 1/2"H

CUSTOMIZATION

- For customization, please consult Eurofase



Driver box included

SPECIFICATION:



WATTS	LUMENS	KELVIN	DIMMABLE	CRI	BEAM ANGLE	TILT
7W	440lm	3000K	TRIAC	85+	30°	86°

FINISHES:

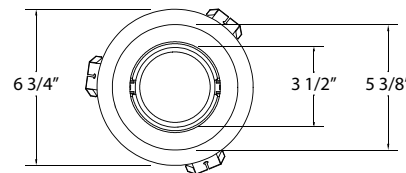
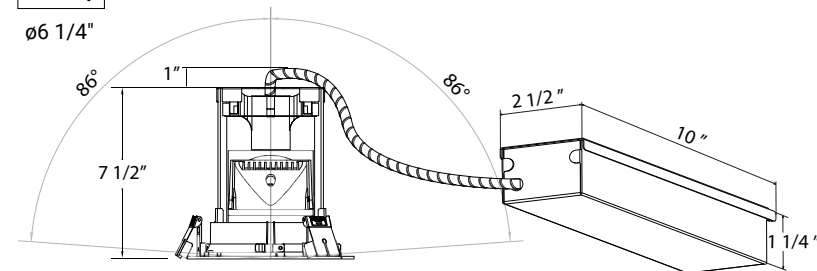


-016 White/Chrome

PRODUCT DIMENSION:



$\phi 6 \frac{1}{4}$ "



HOUSING OPTIONS (SOLD SEPARATELY):

NEW CONSTRUCTION PLATE 32012-019



Cut Hole:
6 1/4"

Dimension:
12 1/4"L x 12 1/4"W x 1 3/8"H

INSULATED CEILING BOX 32001-013



Cut Hole:
6 1/4"

Dimension:
11 1/4"L x 12 13/16"W x 1 1/2"H



6RM 6" NON-IC REMODEL HOUSING



HOUSING

- 18 gauge galvanized steel housing
- Housing complete with adjustable mounting clips
- Suitable for 1/2" and 5/8" drywall
- Junction box is listed for through branch wiring and has six 3/4" and one 1" knockouts with true pry-out slots. Four Romex knockouts included built in strain relief and require no additional clamps

LAMPING

- Available in 16W 1200lm, 25W 2000lm or 38W 3000lm high efficiency LED
- **Beam angle:** 20°/40°
- **Color temperature:** 3000K/3500K/4000K
- **CRI:** 90+

ELECTRICAL

- Dimmable constant current driver (included)
- Fully dimmable down to 10%, with 0-10V and Triac dimming
- Thermally protected.
- Remote driver with junction box for easy access.
- Suitable for damp location

DIMENSIONS

- **Cut hole:** $\phi 6 \frac{3}{4}$ "
- **Fixture:** $\phi 7 \frac{1}{2}$ " x 7 1/4"H

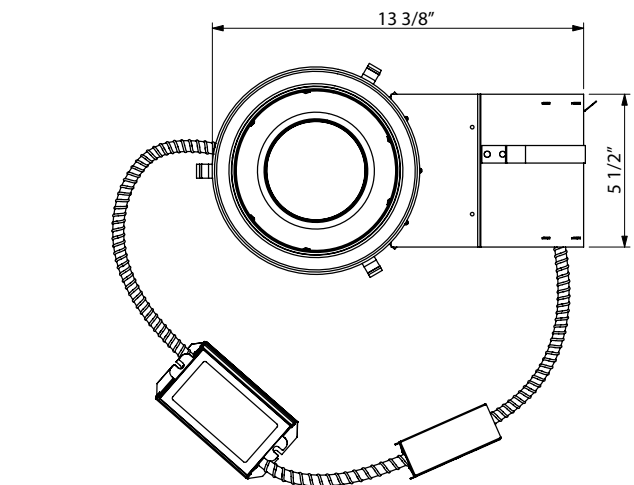
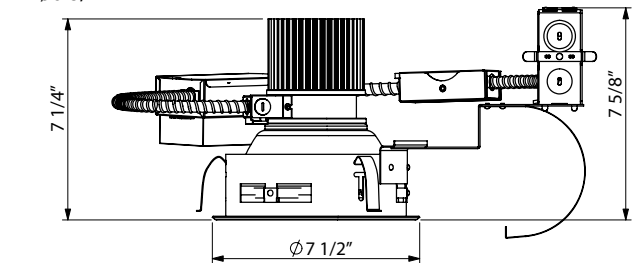
CUSTOMIZATION

- For customization, please consult Eurofase

PRODUCT DIMENSION:



$\phi 6 \frac{3}{4}$ "



ORDERING GUIDE:

Example: 6RM-16-30-2-1-L-F-WP

MODEL	WATTAGE	KELVIN	BEAM ANGLE	DRIVER	DIMMING	REFLECTOR / LENS	TRIM / RING
6RM	-16 16W	-30 3000K	-2 Narrow 20°	-1 120V	-L 0-10V Dimming	-S Semi-Specular	-WP White Plastic
	-25 25W	-35 3500K	-4 Wide 40°	-2 277V	-T Triac Dimming	-W White	-BP Black Plastic
	-38 38W	-40 4000K		-3 347V		-F Frosted Lens	-SN Satin Nickel
						-X Wall Washer	-WM White Metal
							-BM Black Metal

6" LED RECESSED



6NC
6" NON-IC
NEW CONSTRUCTION HOUSING



HOUSING

- 18 gauge galvanized steel housing
- Junction box is listed for through branch wiring and has six 3/4" and one 1" knockouts with true pry-out slots. Four Romex knockouts included built in strain relief and require no additional clamps
- Nail free hanger bars are adjustable from 13-5/8" to 24"

LAMPING

- Available in 16W 1200lm, 25W 2000lm or 38W 3000lm high efficiency LED
- **Beam angle:** 20°/40°
- **Color temperature:** 3000K/3500K/4000K
- **CRI:** 90+

ELECTRICAL

- Dimmable constant current driver (included)
- Fully dimmable down to 10%, with 0-10V and Triac dimming
- Thermally protected
- Remote driver with junction box for easy access
- Suitable for damp location

DIMENSIONS

- **Cut hole:** ø6 3/4"
- **Fixture:** ø7 1/2" x 7 1/4"H

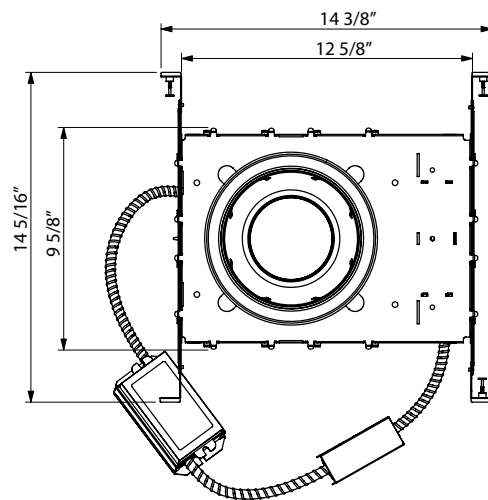
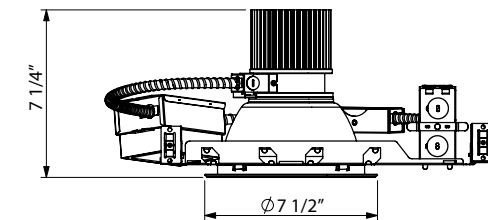
CUSTOMIZATION

- For customization, please consult Eurofase

PRODUCT DIMENSION:



ø6 3/4"



ORDERING GUIDE:

Example: 6NC-16-30-2-1-L-F-WP

MODEL	WATTAGE	KELVIN	BEAM ANGLE	DRIVER	DIMMING	REFLECTOR / LENS	TRIM / RING
6NC	-16 16W	-30 3000K	-2 Narrow 20°	-1 120V	-L 0-10V Dimming	-S Semi-Specular	-WP White Plastic
	-25 25W	-35 3500K	-4 Wide 40°	-2 277V	-T Triac Dimming	-W White	-BP Black Plastic
	-38 38W	-40 4000K		-3 347V		-F Frosted Lens	-SN Satin Nickel
						-X Wall Washer	-WM White Metal
							-BM Black Metal



6AP
6" NON-IC
ARCHITECTURAL FRAME-IN
HOUSING



HOUSING

- 18 gauge galvanized steel housing
- Housing complete with adjustable mounting clips
- Junction box is listed for through branch wiring and has six 3/4" and one 1" knockouts with true pry-out slots. Four Romex knockouts included built in strain relief and require no additional clamps
- Universal brackets accept C-Channel or flat bar hangers, or 1/2" steel conduit to secure to ceiling

LAMPING

- Available in 16W 1200lm, 25W 2000lm or 38W 3000lm high efficiency LED
- **Beam angle:** 20°/40°
- **Color temperature:** 3000K/3500K/4000K
- **CRI:** 90

ELECTRICAL

- Dimmable constant current driver (included)
- Fully dimmable down to 10%, with 0-10V and Triac dimming
- Thermally protected
- Remote driver with junction box for easy access
- Suitable for damp location

DIMENSIONS

- **Cut hole:** ø6 3/4"
- **Fixture:** ø7 1/2" x 7 1/4"H

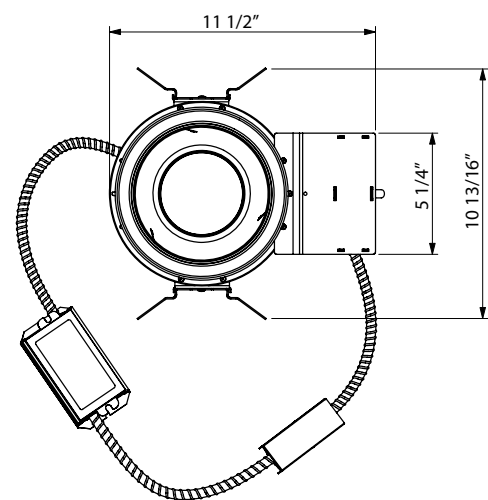
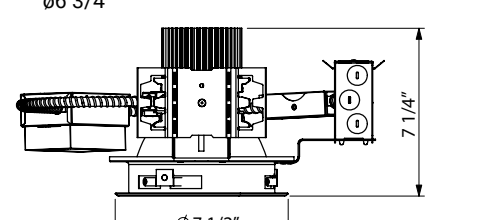
CUSTOMIZATION

- For customization, please consult Eurofase

PRODUCT DIMENSION:



ø6 3/4"



ORDERING GUIDE:

Example: 6AP-16-30-2-1-L-F-WP

MODEL	WATTAGE	KELVIN	BEAM ANGLE	DRIVER	DIMMING	REFLECTOR / LENS	TRIM / RING
6AP	-16 16W	-30 3000K	-2 Narrow 20°	-1 120V	-L 0-10V Dimming	-S Semi-Specular	-WP White Plastic
	-25 25W	-35 3500K	-4 Wide 40°	-2 277V	-T Triac Dimming	-W White	-BP Black Plastic
	-38 38W	-40 4000K		-3 347V		-F Frosted Lens	-SN Satin Nickel
						-X Wall Washer	-WM White Metal
							-BM Black Metal

6" LED RECESSED



29684
6" NON-IC
REMODEL HOUSING

HOUSING

- 18 gauge powder coated steel housing
- Housing complete with adjustable mounting clips
- Suitable for 1/2" and 5/8" drywall
- Junction box is listed for through branch wiring and has five 3/4" knockout with true pry-out

LAMPING

- 1 x 60W Integrated LED TRIAC and 0-10V Dimming. For alternate dimming options consult Eurofase.
- **Beam angle:** 30°
- **Kelvin:** 3000K
- **Lumen per head:** 4000lm
- **CRI:** 80+

ELECTRICAL

- Class 2 dimmable constant current driver (included)
- Driver box mates to fixture by 12" flexible BX cable
- Thermally protected
- **Input voltage:** 120V. For 277V and 347V input options consult Eurofase.

DIMENSIONS

- **Cut hole:** ø6 3/8"
- **Fixture:** ø7 13/16" x 7 15/16"H

CUSTOMIZATION

- For customization, please consult Eurofase

SPECIFICATION:



WATTS	LUMENS	KELVIN	DIMMABLE	CRI	BEAM ANGLE
60W	4000lm	3000K	TRIAC / 0-10V	80+	40°

FINISHES:

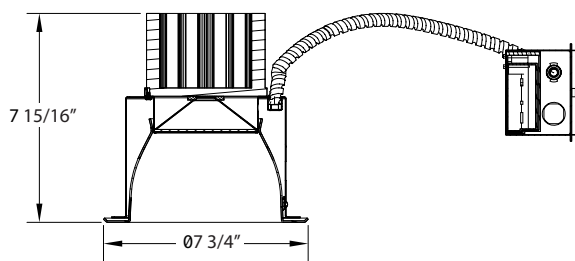


-014 White/White -023 White/Chrome

PRODUCT DIMENSION:



ø6 3/8"



29683
6" NON-IC
NEW CONSTRUCTION HOUSING

HOUSING

- 18 gauge powder coated steel housing
- Junction box is listed for through branch wiring and has six 3/4" and five 1" knockouts with true pry-out slots. Four Romex knockouts included built in strain relief and require no additional clamps
- Universal brackets accept C-Channel or flat bar hangers, or 1/2" steel conduit to secure to ceiling

LAMPING

- 1 x 60W Integrated LED TRIAC and 0-10V Dimming. For alternate dimming options consult Eurofase.
- **Beam angle:** 30°
- **Kelvin:** 3000K
- **Lumen per head:** 4000lm
- **CRI:** 80+

ELECTRICAL

- Class 2 dimmable constant current driver (included)
- Driver box mates to fixture by 12" flexible BX cable
- Thermally protected
- **Input voltage:** 120V. For 277V and 347V input options consult Eurofase.

DIMENSIONS

- **Cut hole:** ø6 5/8"
- **Fixture:** 12 3/16"L x 11 3/16"W x 7 15/16"H

CUSTOMIZATION

- For customization, please consult Eurofase

SPECIFICATION:



WATTS	LUMENS	KELVIN	DIMMABLE	CRI	BEAM ANGLE
60W	4000lm	3000K	TRIAC / 0-10V	80+	40°

FINISHES:

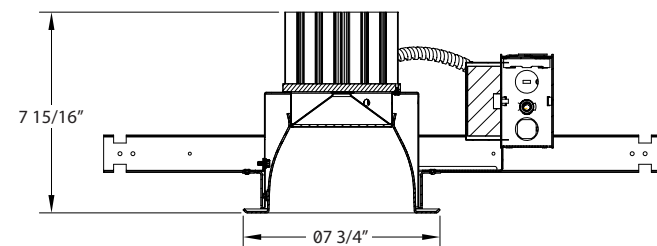
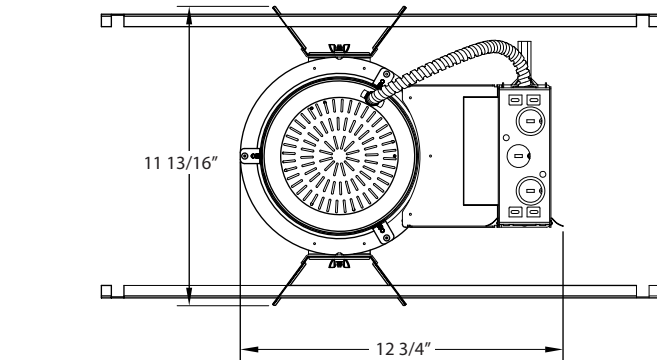


-017 White/White -025 White/Chrome

PRODUCT DIMENSION:



ø6 5/8"





8RM
8" NON-IC
REMODEL HOUSING



HOUSING

- 18 gauge galvanized steel housing
- Housing complete with adjustable mounting clips
- Suitable for 1/2" and 5/8" drywall
- Junction box is listed for through branch wiring and has six 3/4" and one 1" knockouts with true pry-out slots. Four Romex knockouts included built in strain relief and require no additional clamps

LAMPING

- Available in 16W 1200lm, 25W 2000lm or 38W 3000lm high efficiency LED
- **Beam angle:** 20°/40°
- **Color temperature:** 3000K/3500K/4000K
- **CRI:** 90+

ELECTRICAL

- Dimmable constant current driver (included)
- Fully dimmable down to 10%, with 0-10V and Triac dimming
- Thermally protected.
- Remote driver with junction box for easy access.
- Suitable for damp location

DIMENSIONS

- **Cut hole:** ø8"
- **Fixture:** ø9 3/16" x 9"H

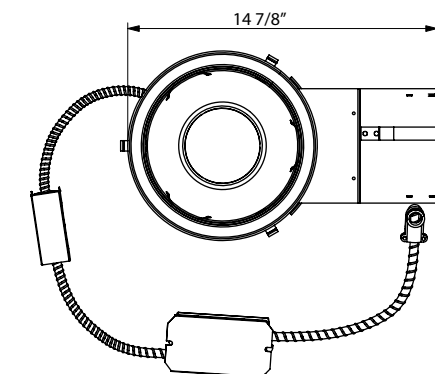
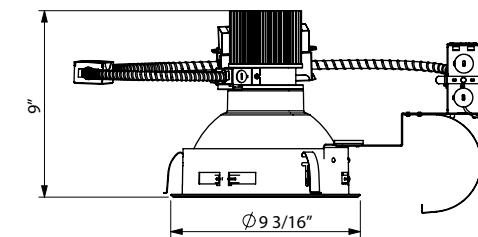
CUSTOMIZATION

- For customization, please consult Eurofase

PRODUCT DIMENSION:



ø8"



ORDERING GUIDE:

Example: 8RM-16-30-2-1-L-F-WP

MODEL	WATTAGE	KELVIN	BEAM ANGLE	DRIVER	DIMMING	REFLECTOR / LENS	TRIM / RING
8RM	-16 16W	-30 3000K	-2 Narrow 20°	-1 120V	-L 0-10V Dimming	-S Semi-Specular	-WP White Plastic
	-25 25W	-35 3500K	-4 Wide 40°	-2 277V	-T Triac Dimming	-W White	-BP Black Plastic
	-38 38W	-40 4000K		-3 347V		-F Frosted Lens	-SN Satin Nickel
						-X Wall Washer	-WM White Metal
							-BM Black Metal

8" LED RECESSED



8NC 8" NON-IC NEW CONSTRUCTION HOUSING



HOUSING

- 18 gauge galvanized steel housing
- Junction box is listed for through branch wiring and has six 3/4" and one 1" knockouts with true pry-out slots. Four Romex knockouts included built in strain relief and require no additional clamps
- Nail free hanger bars are adjustable from 13-5/8" to 24"

LAMPING

- Available in 16W 1200lm, 25W 2000lm or 38W 3000lm high efficiency LED
- **Beam angle:** 20°/40°
- **Color temperature:** 3000K/3500K/4000K
- **CRI:** 90+

ELECTRICAL

- Dimmable constant current driver (included)
- Fully dimmable down to 10%, with 0-10V and Triac dimming
- Thermally protected.
- Remote driver with junction box for easy access.
- Suitable for damp location

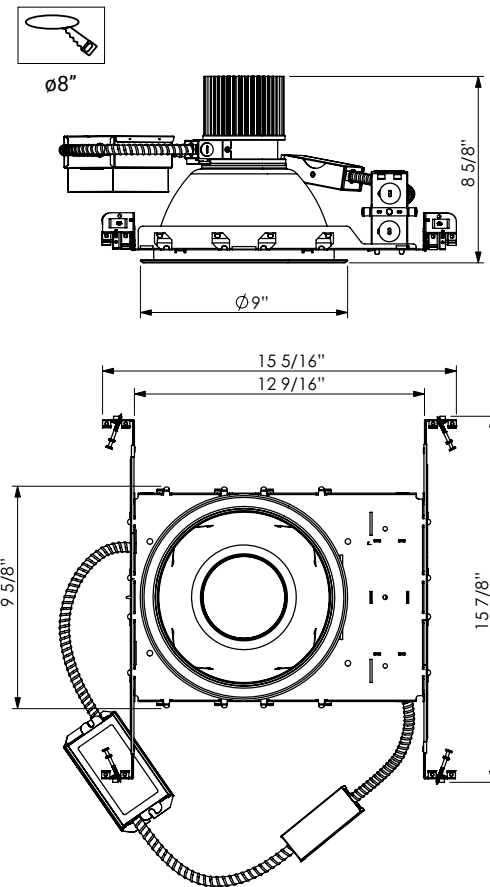
DIMENSIONS

- **Cut hole:** ø8"
- **Fixture:** ø9" x 8 5/8"H

CUSTOMIZATION

- For customization, please consult Eurofase

PRODUCT DIMENSION:



ORDERING GUIDE:

Example: 8NC-16-30-2-1-L-F-WP

MODEL	WATTAGE	KELVIN	BEAM ANGLE	DRIVER	DIMMING	REFLECTOR / LENS	TRIM / RING
8NC	-16 16W	-30 3000K	-2 Narrow 20°	-1 120V	-L 0-10V Dimming	-S Semi-Specular	-WP White Plastic
	-25 25W	-35 3500K	-4 Wide 40°	-2 277V	-T Triac Dimming	-W White	-BP Black Plastic
	-38 38W	-40 4000K		-3 347V		-F Frosted Lens	-SN Satin Nickel
						-X Wall Washer	-WM White Metal
							-BM Black Metal



8AP 8" NON-IC ARCHITECTURAL FRAME-IN HOUSING



HOUSING

- 18 gauge galvanized steel housing
- Housing complete with adjustable mounting clips
- Junction box is listed for through branch wiring and has six 3/4" and one 1" knockouts with true pry-out slots. Four Romex knockouts included built in strain relief and require no additional clamps
- Universal brackets accept C-Channel or flat bar hangers, or 1/2" steel conduit to secure to ceiling

LAMPING

- Available in 16W 1200lm, 25W 2000lm or 38W 3000lm high efficiency LED
- **Beam angle:** 20°/40°
- **Color temperature:** 3000K/3500K/4000K
- **CRI:** 90+

ELECTRICAL

- Dimmable constant current driver (included)
- Fully dimmable down to 10%, with 0-10V and Triac dimming
- Thermally protected.
- Remote driver with junction box for easy access.
- Suitable for damp location

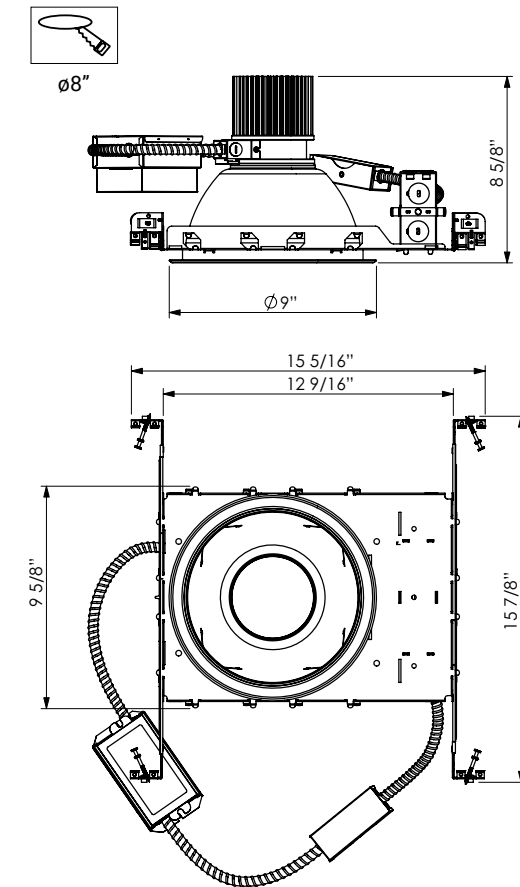
DIMENSIONS

- **Cut hole:** ø8"
- **Fixture:** ø9" x 8 5/8"H

CUSTOMIZATION

- For customization, please consult Eurofase

PRODUCT DIMENSION:



ORDERING GUIDE:

Example: 8AP-16-30-2-1-L-F-WP

MODEL	WATTAGE	KELVIN	BEAM ANGLE	DRIVER	DIMMING	REFLECTOR / LENS	TRIM / RING
8AP	-16 16W	-30 3000K	-2 Narrow 20°	-1 120V	-L 0-10V Dimming	-S Semi-Specular	-WP White Plastic
	-25 25W	-35 3500K	-4 Wide 40°	-2 277V	-T Triac Dimming	-W White	-BP Black Plastic
	-38 38W	-40 4000K		-3 347V		-F Frosted Lens	-SN Satin Nickel
						-X Wall Washer	-WM White Metal
							-BM Black Metal

ULTRA SLIM LED RECESSED



Slim RECESSED

ULTRA SLIM



4" / 9W

28987 p284



4" / 12W

28988 p284



4" / 12W

31488 p285



6" / 15W

28990 p285

RIBBED



4" / 9W

31242 p286



4" / 9W

31243 p286



6" / 15W

31244 p287



6" / 15W

31245 p287

DOME



4" / 9W

30425 p290



4" / 9W

30426 p290



6" / 18W

31434 p291



6" / 18W

31433 p291



ULTRA SLIM LED RECESSED

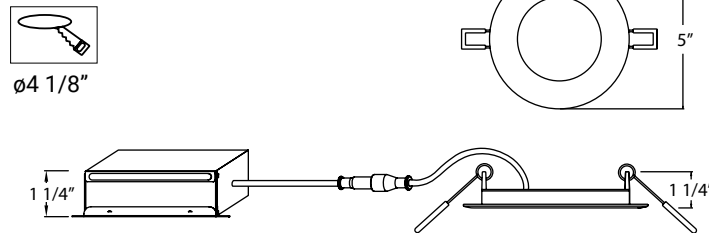
ULTRA SLIM LED RECESSED

28987 | 4" ULTRA SLIM ROUND LED RECESSED

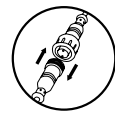


WATTS	LUMENS	KELVIN	DIMMABLE	CRI	IC AIRTIGHT RATED	BEAM ANGLE
9W	550lm	3000K	TRIAC	80+	YES	120°

PRODUCT DIMENSION:



Bulb Type: LED Integrated
Input Voltage: 120V
Wattage: 9W
Dimmable: Yes
Kelvin: 3000K
Lumens: 550lm
CRI: 80+
Beam Angle: 120°
IC Airtight Rated: Yes



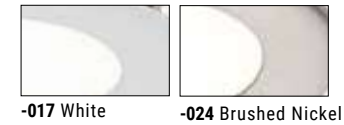
QUICK CONNECT



IC AIRTIGHT RATED



FINISHES:



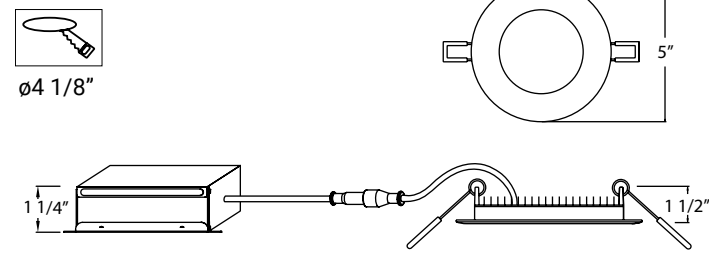
-017 White -024 Brushed Nickel

28988 | 4" ULTRA SLIM ROUND LED RECESSED

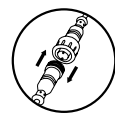


WATTS	LUMENS	KELVIN	DIMMABLE	CRI	IC AIRTIGHT RATED	BEAM ANGLE
12W	700lm	3000K	TRIAC	80+	YES	120°

PRODUCT DIMENSION:



Bulb Type: LED Integrated
Input Voltage: 120V
Wattage: 12W
Dimmable: Yes
Kelvin: 3000K
Lumens: 700lm
CRI: 80+
Beam Angle: 120°
IC Airtight Rated: Yes



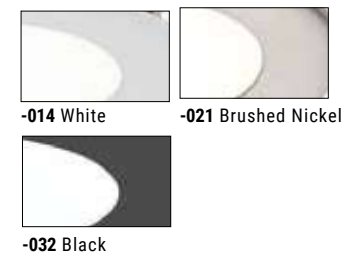
QUICK CONNECT



IC AIRTIGHT RATED



FINISHES:



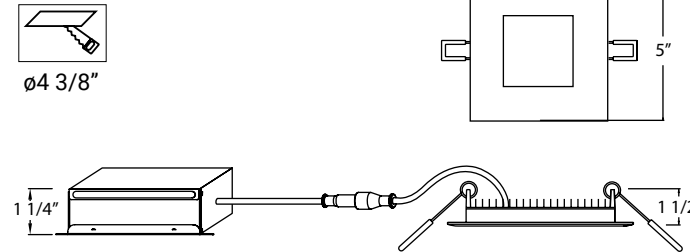
-014 White -021 Brushed Nickel
 -032 Black

31488 | 4" ULTRA SLIM SQUARE LED RECESSED

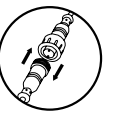


WATTS	LUMENS	KELVIN	DIMMABLE	CRI	IC AIRTIGHT RATED	BEAM ANGLE
12W	700lm	3000K	TRIAC	80+	YES	120°

PRODUCT DIMENSION:



Bulb Type: LED
Input Voltage: 120V
Wattage: 12W
Dimmable: Yes
Kelvin: 3000K
Lumens: 700lm
CRI: 80+
Beam Angle: 120°
IC Airtight Rated: Yes



QUICK CONNECT



IC AIRTIGHT RATED



FINISHES:



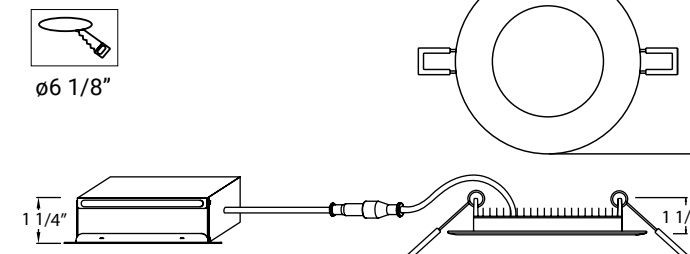
-013 White -037 Brushed Nickel
 -020 Black

28990 | 6" ULTRA SLIM ROUND LED RECESSED

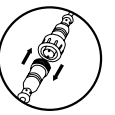


WATTS	LUMENS	KELVIN	DIMMABLE	CRI	IC AIRTIGHT RATED	BEAM ANGLE
15W	900lm	3000K	TRIAC	80+	YES	120°

PRODUCT DIMENSION:



Bulb Type: LED Integrated
Input Voltage: 120V
Wattage: 15W
Dimmable: Yes
Kelvin: 3000K
Lumens: 900lm
CRI: 80+
Beam Angle: 120°
IC Airtight Rated: Yes



QUICK CONNECT



IC AIRTIGHT RATED



FINISHES:



-017 White -024 Brushed Nickel

HOUSING OPTIONS (SOLD SEPARATELY):



NO IC BOX REQUIRED

3 IN 1 SMASH PLATE (4 1/8", 4 3/8" AND 6 1/8")
 31278-010



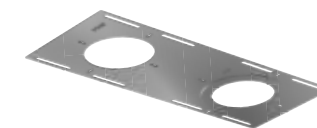
Cut Hole:
 4 1/8", 4 3/8" and 6 1/8"

Dimension:
 16"L x 9 1/2"W



NO IC BOX REQUIRED

3 IN 1 SMASH PLATE (4 1/8", 4 3/8" AND 6 1/8")
 31278-010



Cut Hole:
 4 1/8", 4 3/8" and 6 1/8"

Dimension:
 16"L x 9 1/2"W

ULTRA SLIM LED RECESSED

31242-02 | 4" SQUARE RIBBED LED RECESSED



Bulb Type: LED
Input Voltage: 120V
Wattage: 9W
Dimmable: Yes
Kelvin: 3000K
Lumens: 580lm
CRI: 80+
Beam Angle: 120°
IC Airtight Rated: Yes



QUICK CONNECT



IC AIRTIGHT RATED



FINISHES:

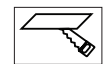


-02 White

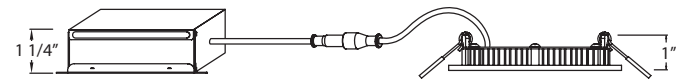
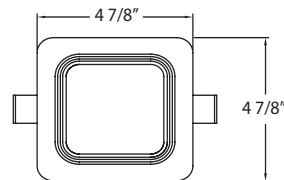


WATTS	LUMENS	KELVIN	DIMMABLE	CRI	IC AIRTIGHT RATED	BEAM ANGLE
9W	580lm	3000K	TRIAC	80+	YES	120°

PRODUCT DIMENSION:



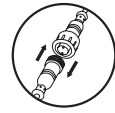
4 3/8"L x 4 3/8"W



31243-02 | 4" ROUND RIBBED LED RECESSED



Bulb Type: LED
Input Voltage: 120V
Wattage: 9W
Dimmable: Yes
Kelvin: 3000K
Lumens: 580lm
CRI: 80+
Beam Angle: 120°
IC Airtight Rated: Yes



QUICK CONNECT



IC AIRTIGHT RATED



FINISHES:



-02 White

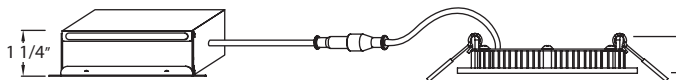
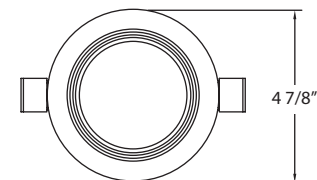


WATTS	LUMENS	KELVIN	DIMMABLE	CRI	IC AIRTIGHT RATED	BEAM ANGLE
9W	580lm	3000K	TRIAC	80+	YES	120°

PRODUCT DIMENSION:



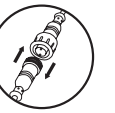
ø4 3/8"



31244-02 | 6" SQUARE RIBBED LED RECESSED



Bulb Type: LED
Input Voltage: 120V
Wattage: 15W
Dimmable: Yes
Kelvin: 3000K
Lumens: 1150lm
CRI: 80+
Beam Angle: 120°
IC Airtight Rated: Yes



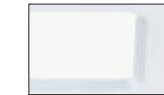
QUICK CONNECT



IC AIRTIGHT RATED



FINISHES:

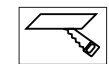


-02 White

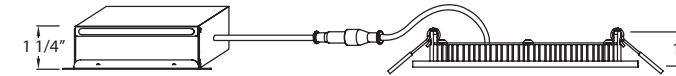
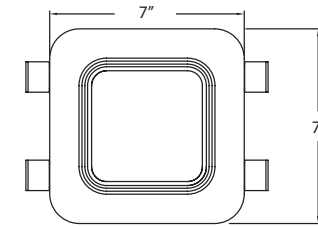


WATTS	LUMENS	KELVIN	DIMMABLE	CRI	IC AIRTIGHT RATED	BEAM ANGLE
15W	1150lm	3000K	TRIAC	80+	YES	120°

PRODUCT DIMENSION:



6 1/2"L x 6 1/2"W



31245-02 | 6" ROUND RIBBED LED RECESSED



Bulb Type: LED
Input Voltage: 120V
Wattage: 15W
Dimmable: Yes
Kelvin: 3000K
Lumens: 1150lm
CRI: 80+
Beam Angle: 120°
IC Airtight Rated: Yes



QUICK CONNECT



IC AIRTIGHT RATED



FINISHES:



-02 White

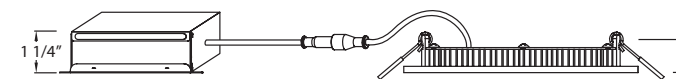
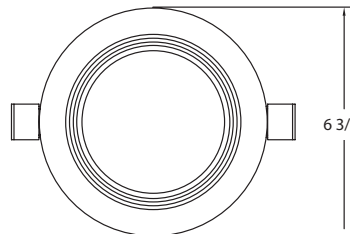


WATTS	LUMENS	KELVIN	DIMMABLE	CRI	IC AIRTIGHT RATED	BEAM ANGLE
15W	1150lm	3000K	TRIAC	80+	YES	120°

PRODUCT DIMENSION:



ø6 1/2"



HOUSING OPTIONS (SOLD SEPARATELY):



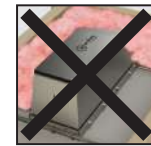
NO IC BOX REQUIRED

4 IN 1 SMASH PLATE (4", 6" ROUND AND SQUARE)
 32552-010



Cut Hole:
 4 3/8" and 6 1/2"

Dimension:
 16"L x 9 1/2"W



NO IC BOX REQUIRED

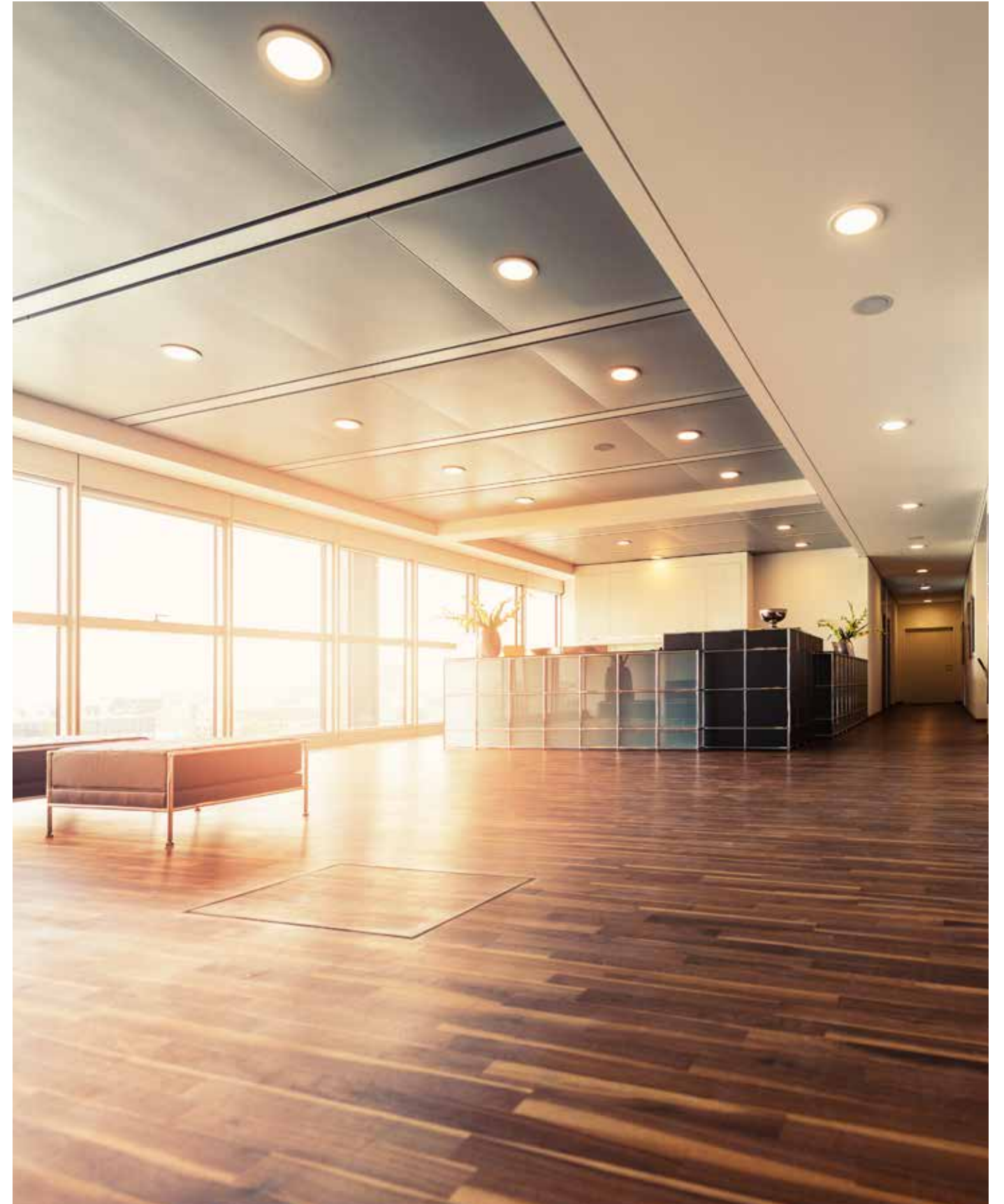
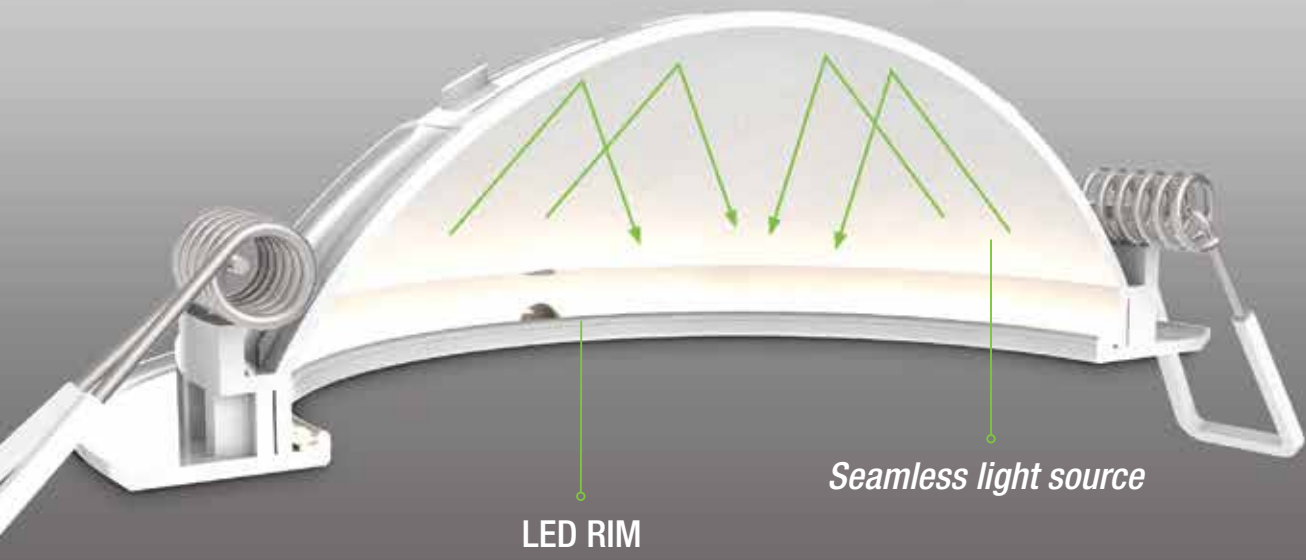
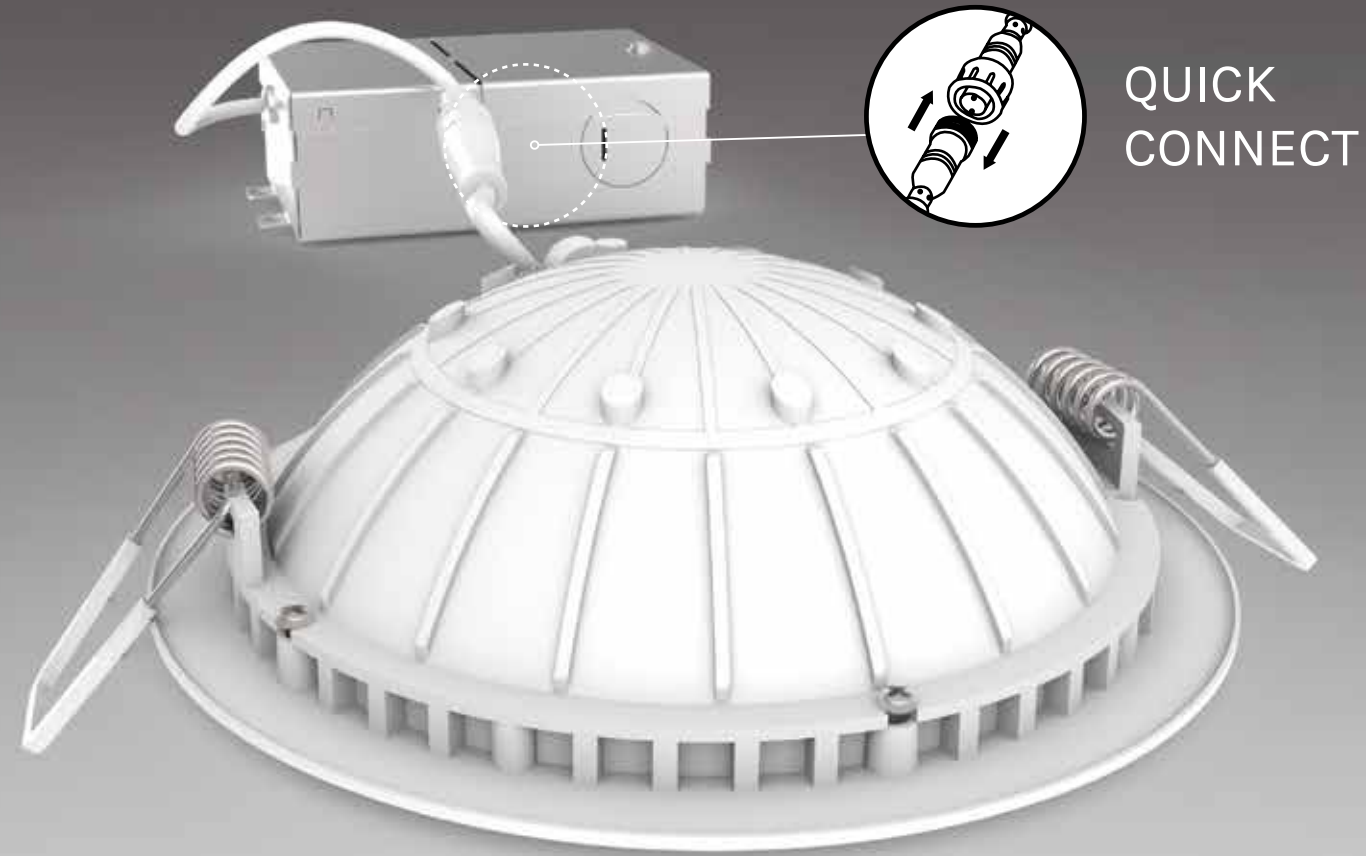
4 IN 1 SMASH PLATE (4", 6" ROUND AND SQUARE)
 32552-010



Cut Hole:
 4 3/8" and 6 1/2"

Dimension:
 16"L x 9 1/2"W

ULTRA SLIM LED RECESSED



ULTRA SLIM LED RECESSED

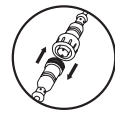
ULTRA SLIM LED RECESSED

30425-02 | 4" ROUND DOME LED RECESSED



WATTS	LUMENS	KELVIN	DIMMABLE	CRI	IC AIRTIGHT RATED	BEAM ANGLE
9W	580lm	3000K	TRIAC	80+	YES	120°

Bulb Type: LED
Input Voltage: 120V
Wattage: 9W
Dimmable: Yes
Kelvin: 3000K
Lumens: 580lm
CRI: 80+
Beam Angle: 120°
IC Airtight Rated: Yes
Finish: White



QUICK CONNECT

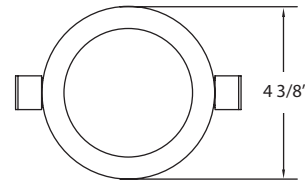


IC AIRTIGHT RATED

PRODUCT DIMENSION:



ø3 3/4"

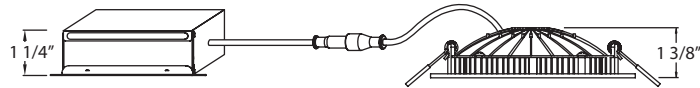


4 3/8"

FINISHES:



-02 White

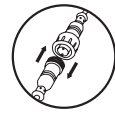


30426-02 | 4" SQUARE DOME LED RECESSED



WATTS	LUMENS	KELVIN	DIMMABLE	CRI	IC AIRTIGHT RATED	BEAM ANGLE
9W	580lm	3000K	TRIAC	80+	YES	120°

Bulb Type: LED
Input Voltage: 120V
Wattage: 9W
Dimmable: Yes
Kelvin: 3000K
Lumens: 580lm
CRI: 80+
Beam Angle: 120°
IC Airtight Rated: Yes
Finish: White



QUICK CONNECT

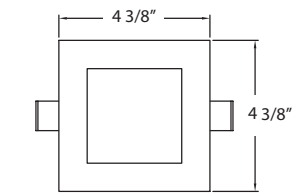


IC AIRTIGHT RATED

PRODUCT DIMENSION:



3 3/4"L x 3 3/4"W

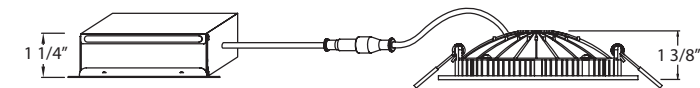


4 3/8"

FINISHES:



-02 White



HOUSING OPTIONS (SOLD SEPARATELY):



NO IC BOX REQUIRED

4 IN 1 SMASH PLATE (4", 6" ROUND AND SQUARE)
 32553-017



Cut Hole:
 3 3/4" and 6 3/8"

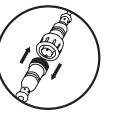
Dimension:
 16"L x 9 1/2"W

31434-02 | 6" ROUND DOME LED RECESSED



WATTS	LUMENS	KELVIN	DIMMABLE	CRI	IC AIRTIGHT RATED	BEAM ANGLE
18W	1280lm	3000K	TRIAC	80+	YES	120°

Bulb Type: LED
Input Voltage: 120V
Wattage: 18W
Dimmable: Yes
Kelvin: 3000K
Lumens: 1280lm
CRI: 80+
Beam Angle: 120°
IC Airtight Rated: Yes
Finish: White



QUICK CONNECT

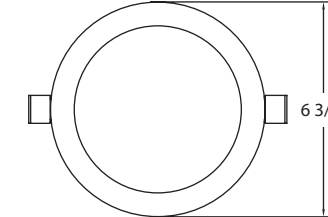


IC AIRTIGHT RATED

PRODUCT DIMENSION:



ø6 3/8"

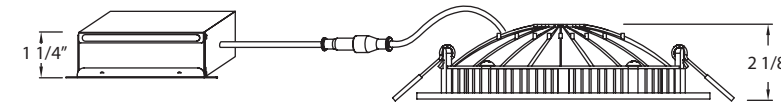


6 3/4"

FINISHES:



-02 White

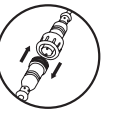


31433-02 | 6" SQUARE DOME LED RECESSED



WATTS	LUMENS	KELVIN	DIMMABLE	CRI	IC AIRTIGHT RATED	BEAM ANGLE
18W	1280lm	3000K	TRIAC	80+	YES	120°

Bulb Type: LED
Input Voltage: 120V
Wattage: 18W
Dimmable: Yes
Kelvin: 3000K
Lumens: 1280lm
CRI: 80+
Beam Angle: 120°
IC Airtight Rated: Yes
Finish: White

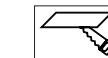


QUICK CONNECT

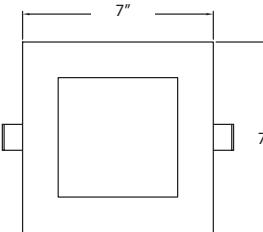


IC AIRTIGHT RATED

PRODUCT DIMENSION:



6 3/8"L x 6 3/8"W

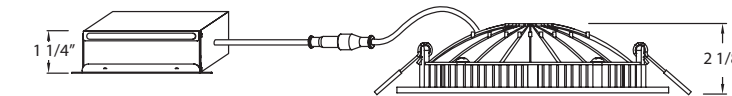


7"

FINISHES:



-02 White



HOUSING OPTIONS (SOLD SEPARATELY):



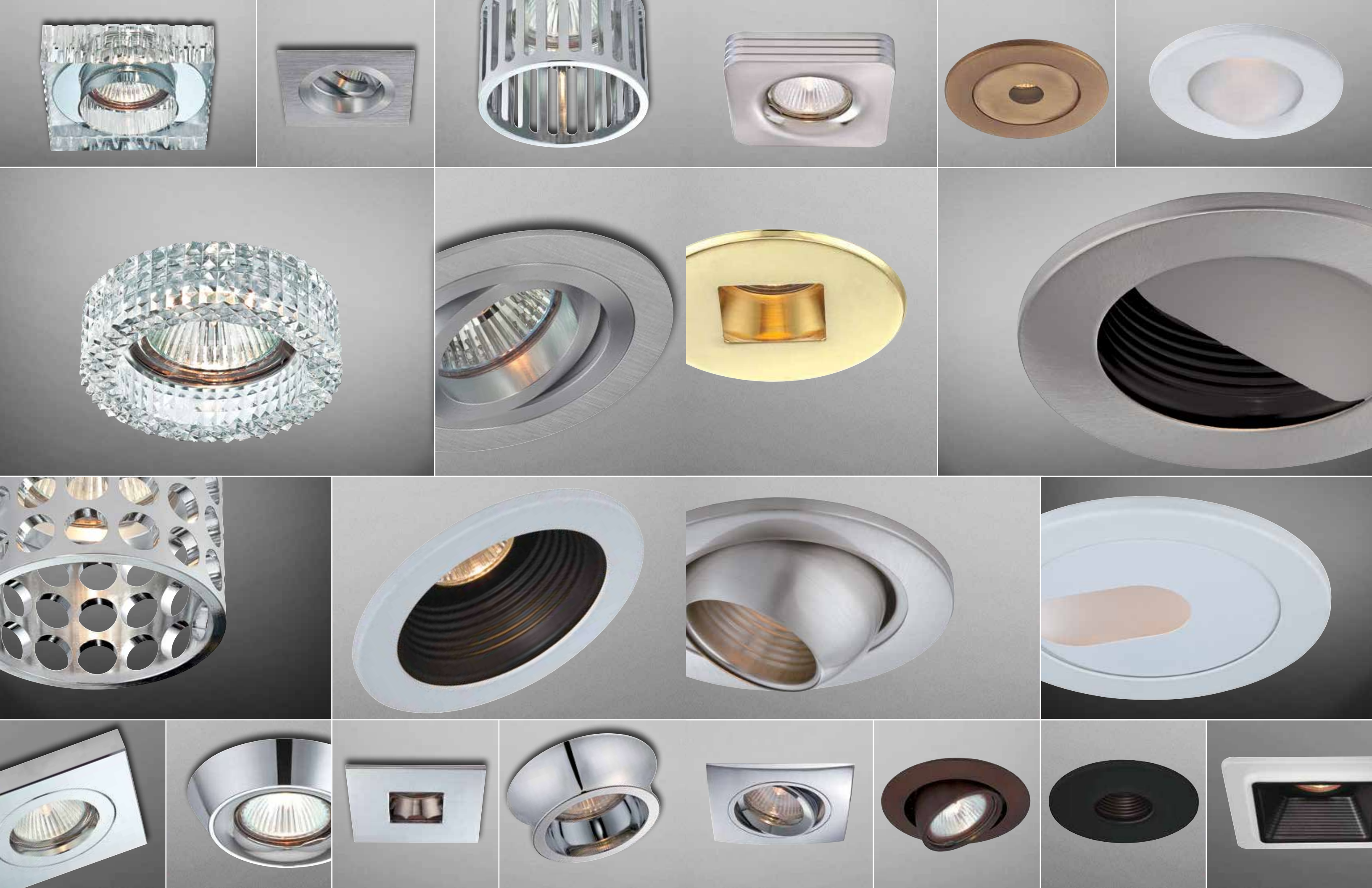
NO IC BOX REQUIRED

4 IN 1 SMASH PLATE (4", 6" ROUND AND SQUARE)
 32553-017



Cut Hole:
 3 3/4" and 6 3/8"

Dimension:
 16"L x 9 1/2"W

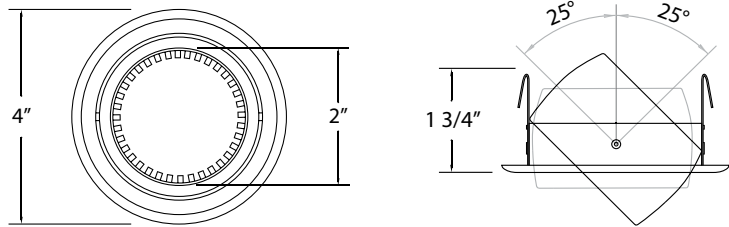


3" RECESSED MR16 | GU10



TE04 | 3" EYEBALL

PRODUCT DIMENSION:



FINISHES:



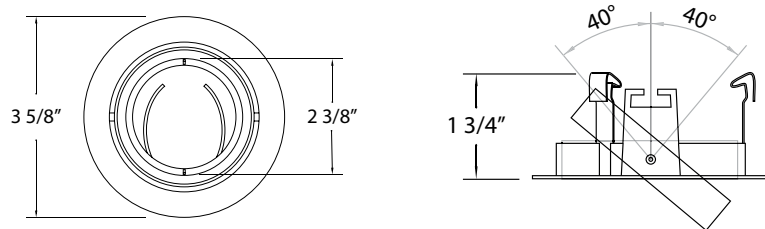
BULB OPTIONS:		BULB OPTIONS:	
MR16		GU10	
BULB TYPE:	MR16	BULB TYPE:	GU10
VOLTAGE:	12V	VOLTAGE:	120V
MAX. WATTAGE:	50W	MAX. WATTAGE:	50W

*LED COMPATIBLE



TE90 | 3" GIMBAL

PRODUCT DIMENSION:



FINISHES:



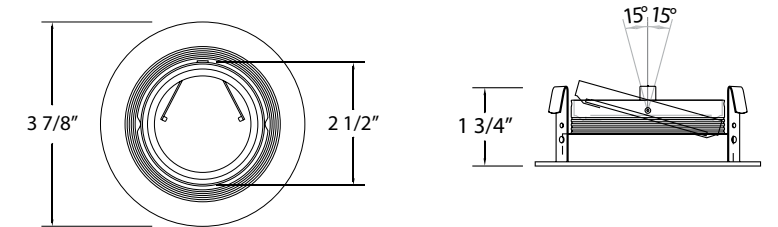
BULB OPTIONS:		BULB OPTIONS:	
MR16		GU10	
BULB TYPE:	MR16	BULB TYPE:	GU10
VOLTAGE:	12V	VOLTAGE:	120V
MAX. WATTAGE:	50W	MAX. WATTAGE:	50W

*LED COMPATIBLE



TE01 | 3" STEPPED BAFFLE

PRODUCT DIMENSION:



FINISHES:



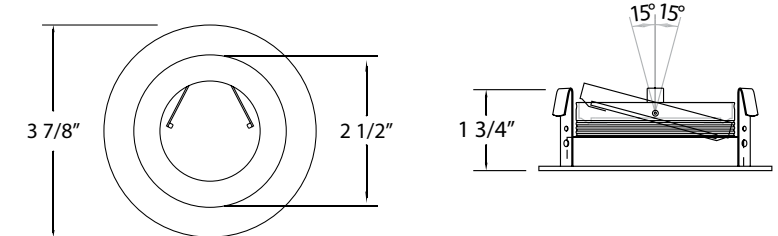
BULB OPTIONS:		BULB OPTIONS:	
MR16		GU10	
BULB TYPE:	MR16	BULB TYPE:	GU10
VOLTAGE:	12V	VOLTAGE:	120V
MAX. WATTAGE:	50W	MAX. WATTAGE:	50W

*LED COMPATIBLE



TE02 | 3" SPECULAR REFLECTOR

PRODUCT DIMENSION:



FINISHES:



BULB OPTIONS:		BULB OPTIONS:	
MR16		GU10	
BULB TYPE:	MR16	BULB TYPE:	GU10
VOLTAGE:	12V	VOLTAGE:	120V
MAX. WATTAGE:	50W	MAX. WATTAGE:	50W

*LED COMPATIBLE

HOUSING OPTIONS (SOLD SEPARATELY)

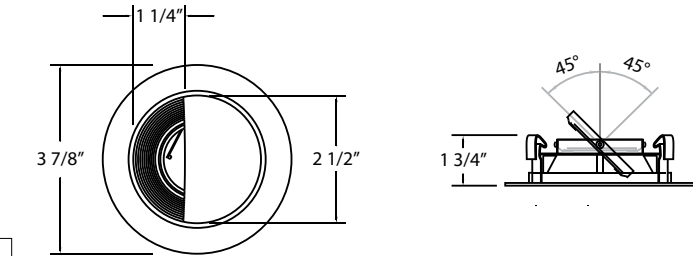
Refer to page 308-309 for housing specification

MR16 REMODEL		NEW CONSTRUCTION PLATE		INSULATED CEILING BOX	
TERE-00		VHG-4N01-00		VHG-4I01-00	
Cut Hole:	3 1/4"	Cut Hole:	3 1/4", 3 1/2", 4 3/8"	Cut Hole:	3 1/4", 3 1/2", 4 3/8"
Dimension:	11 3/4"L x 3 1/2"W x 4 1/8"H	Dimension:	15 5/8"L x 6 1/8"W x 1 1/4"H	Dimension:	15 5/8"L x 6 1/8"W x 7 1/2"H
GU10 REMODEL		NEW CONSTRUCTION HOUSING		INSULATED CEILING HOUSING	
GU3-00		GUC3-00		GUI3-00	
Cut Hole:	3 1/4"	Cut Hole:	3 1/4"	Cut Hole:	3 1/4"
Dimension:	11 3/4"L x 3 1/2"W x 4 1/8"H	Dimension:	12 1/8"L x 7 5/8"W x 4"H	Dimension:	12 5/8"L x 9"W x 7 3/4"H



TE06 | 3" WALL WASHER

PRODUCT DIMENSION:



BULB OPTIONS:	
MR16	GU10
BULB TYPE: MR16	BULB TYPE: GU10
VOLTAGE: 12V	VOLTAGE: 120V
MAX. WATTAGE: 50W	MAX. WATTAGE: 50W

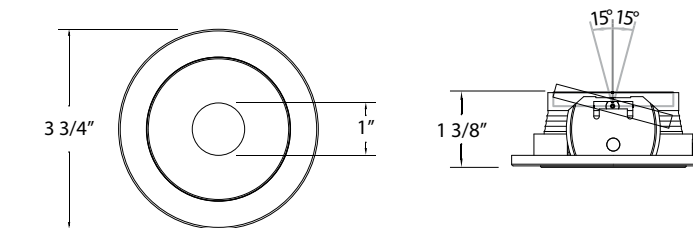
*LED COMPATIBLE

FINISHES:



23660 | 3" PIN HOLE

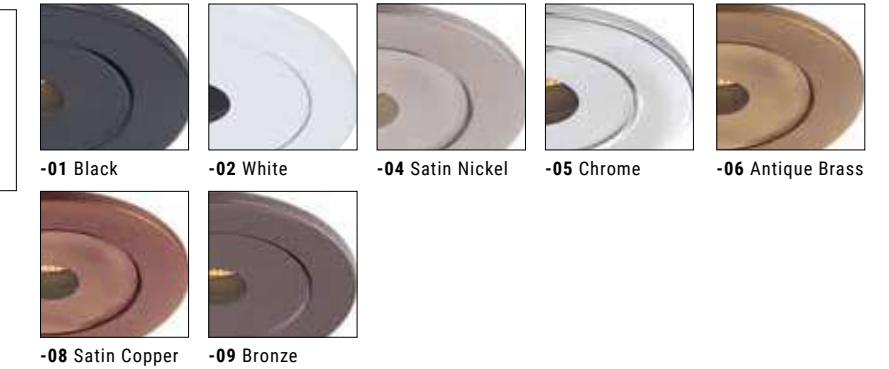
PRODUCT DIMENSION:



BULB OPTIONS:	
MR16	GU10
BULB TYPE: MR16	BULB TYPE: GU10
VOLTAGE: 12V	VOLTAGE: 120V
MAX. WATTAGE: 50W	MAX. WATTAGE: 50W

*LED COMPATIBLE

FINISHES:



HOUSING OPTIONS (SOLD SEPARATELY)

Refer to page 308-309 for housing specification

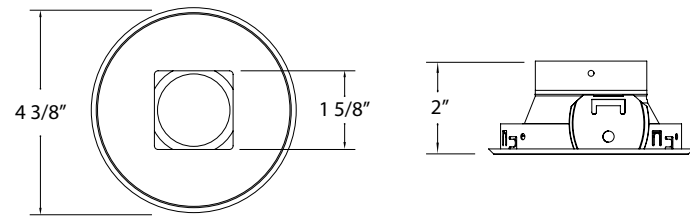
<p>MR16 REMODEL TERE-00</p> <p>Cut Hole: 3 1/4"</p> <p>Dimension: 11 3/4"L x 3 1/2"W x 4 1/8"H</p>	<p>NEW CONSTRUCTION PLATE VHG-4N01-00</p> <p>Cut Hole: 3 1/4", 3 1/2", 4 3/8"</p> <p>Dimension: 15 5/8"L x 6 1/8"W x 1 1/4"H</p>	<p>INSULATED CEILING BOX VHG-4I01-00</p> <p>Cut Hole: 3 1/4", 3 1/2", 4 3/8"</p> <p>Dimension: 15 5/8"L x 6 1/8"W x 7 1/2"H</p>
<p>GU10 REMODEL GU3-00</p> <p>Cut Hole: 3 1/4"</p> <p>Dimension: 11 3/4"L x 3 1/2"W x 4 1/8"H</p>	<p>NEW CONSTRUCTION HOUSING GUC3-00</p> <p>Cut Hole: 3 1/4"</p> <p>Dimension: 12 1/8"L x 7 5/8"W x 4"H</p>	<p>INSULATED CEILING HOUSING GUI3-00</p> <p>Cut Hole: 3 1/4"</p> <p>Dimension: 12 5/8"L x 9"W x 7 3/4"H</p>

3" RECESSED MR16 | GU10



23286 | 3" ROUND REGRESS

PRODUCT DIMENSION:



BULB OPTIONS:

MR16

BULB TYPE: MR16
VOLTAGE: 12V
MAX. WATTAGE: 50W

GU10

BULB TYPE: GU10
VOLTAGE: 120V
MAX. WATTAGE: 50W

*LED COMPATIBLE

FINISHES:



-01 Black



-02 White



-04 Satin Nickel



-05 Chrome

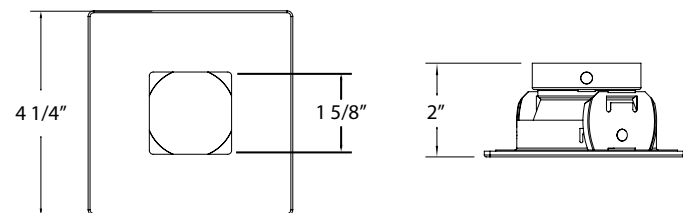


-08 Satin Copper



23287 | 3" SQUARE REGRESS

PRODUCT DIMENSION:



BULB OPTIONS:

MR16

BULB TYPE: MR16
VOLTAGE: 12V
MAX. WATTAGE: 50W

GU10

BULB TYPE: GU10
VOLTAGE: 120V
MAX. WATTAGE: 50W

*LED COMPATIBLE

FINISHES:



-01 Black



-02 White



-03 Gold



-04 Satin Nickel



-05 Chrome

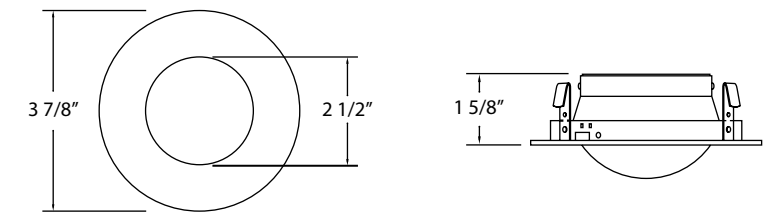


-06 Antique Brass



TR-A301 | 3" SHOWER DOME

PRODUCT DIMENSION:



BULB OPTIONS:

MR16

BULB TYPE: MR16
VOLTAGE: 12V
MAX. WATTAGE: 50W

GU10

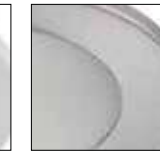
BULB TYPE: GU10
VOLTAGE: 120V
MAX. WATTAGE: 50W

*LED COMPATIBLE

FINISHES:



-57 White/Frost



-101 Satin Nickel/Frost



-123 Chrome/Frost

HOUSING OPTIONS (SOLD SEPARATELY)

Refer to page 308-309 for housing specification

MR16
REMODEL
TERE-00



MAGNETIC TRANSFORMER

Cut Hole:
3 1/4"

Dimension:
11 3/4"L x 3 1/2"W x 4 1/8"H

NEW CONSTRUCTION PLATE
VHG-4N01-00



Cut Hole:
3 1/4", 3 1/2", 4 3/8"

Dimension:
15 5/8"L x 6 1/8"W x 1 1/4"H

INSULATED CEILING BOX
VHG-4I01-00



Cut Hole:
3 1/4", 3 1/2", 4 3/8"

Dimension:
15 5/8"L x 6 1/8"W x 7 1/2"H

GU10
REMODEL
GUC3-00



Cut Hole:
3 1/4"

Dimension:
11 3/4"L x 3 1/2"W x 4 1/8"H

NEW CONSTRUCTION HOUSING
GUC3-00



Cut Hole:
3 1/4"

Dimension:
12 1/8"L x 7 5/8"W x 4"H

INSULATED CEILING HOUSING
GUI3-00



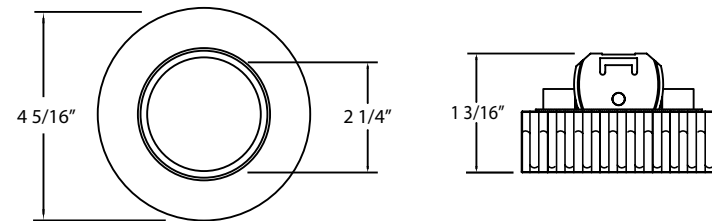
Cut Hole:
3 1/4"

Dimension:
12 5/8"L x 9"W x 7 3/4"H



23929-11 | 3" CRYSTAL RIBBED CYLINDER

PRODUCT DIMENSION:



FINISHES:



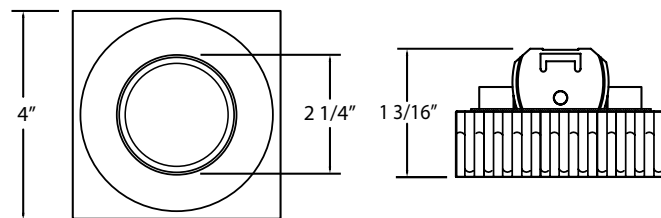
-11 Crystal

BULB OPTIONS:		GU10	
MR16		GU10	
BULB TYPE:	MR16	BULB TYPE:	GU10
VOLTAGE:	12V	VOLTAGE:	120V
MAX. WATTAGE:	50W	MAX. WATTAGE:	50W

*LED COMPATIBLE

23930-11 | 3" CRYSTAL RIBBED SQUARE

PRODUCT DIMENSION:



FINISHES:



-11 Crystal

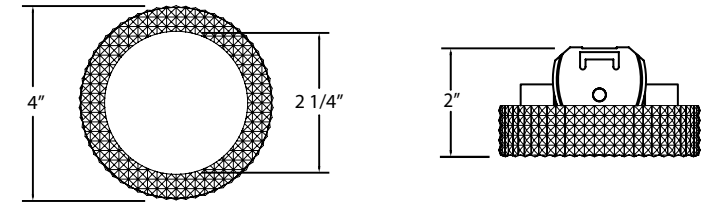
BULB OPTIONS:		GU10	
MR16		GU10	
BULB TYPE:	MR16	BULB TYPE:	GU10
VOLTAGE:	12V	VOLTAGE:	120V
MAX. WATTAGE:	50W	MAX. WATTAGE:	50W

*LED COMPATIBLE



23940-11 | 3" CRYSTAL DIAMOND CYLINDER

PRODUCT DIMENSION:



FINISHES:



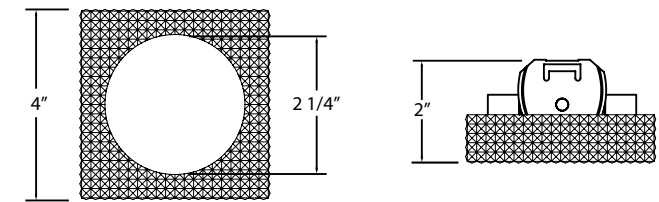
-11 Crystal

BULB OPTIONS:		GU10	
MR16		GU10	
BULB TYPE:	MR16	BULB TYPE:	GU10
VOLTAGE:	12V	VOLTAGE:	120V
MAX. WATTAGE:	50W	MAX. WATTAGE:	50W

*LED COMPATIBLE

23939-11 | 3" CRYSTAL DIAMOND SQUARE

PRODUCT DIMENSION:



FINISHES:



-11 Crystal

BULB OPTIONS:		GU10	
MR16		GU10	
BULB TYPE:	MR16	BULB TYPE:	GU10
VOLTAGE:	12V	VOLTAGE:	120V
MAX. WATTAGE:	50W	MAX. WATTAGE:	50W

*LED COMPATIBLE

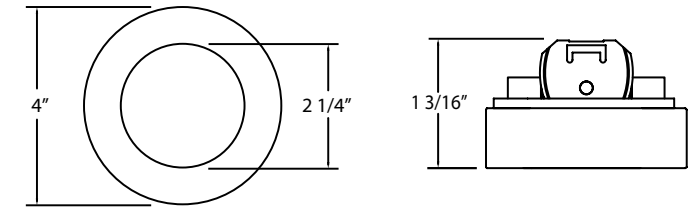
HOUSING OPTIONS (SOLD SEPARATELY) Refer to page 308-309 for housing specification

MR16 REMODEL	MAGNETIC TRANSFORMER	NEW CONSTRUCTION PLATE	INSULATED CEILING BOX
TERE-00		VHG-4N01-00	VHG-4I01-00
Cut Hole: 3 1/4"		Cut Hole: 3 1/4", 3 1/2", 4 3/8"	Cut Hole: 3 1/4", 3 1/2", 4 3/8"
Dimension: 11 3/4"L x 3 1/2"W x 4 1/8"H		Dimension: 15 5/8"L x 6 1/8"W x 1 1/4"H	Dimension: 15 5/8"L x 6 1/8"W x 7 1/2"H
GU10 REMODEL	NEW CONSTRUCTION HOUSING	INSULATED CEILING HOUSING	
GU3-00	GUC3-00	GUI3-00	
Cut Hole: 3 1/4"	Cut Hole: 3 1/4"	Cut Hole: 3 1/4"	
Dimension: 11 3/4"L x 3 1/2"W x 4 1/8"H	Dimension: 12 1/8"L x 7 5/8"W x 4"H	Dimension: 12 5/8"L x 9"W x 7 3/4"H	



23935-11 | 3" CRYSTAL CYLINDER

PRODUCT DIMENSION:



BULB OPTIONS:

MR16		GU10	
BULB TYPE:	MR16	BULB TYPE:	GU10
VOLTAGE:	12V	VOLTAGE:	120V
MAX. WATTAGE:	50W	MAX. WATTAGE:	50W

*LED COMPATIBLE

FINISHES:

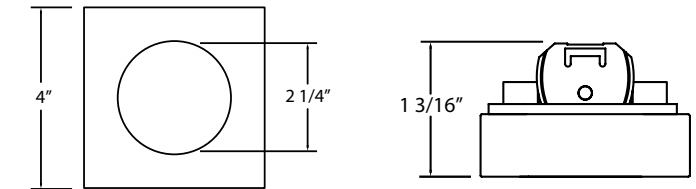


-11 Crystal



23936-11 | 3" CRYSTAL SQUARE

PRODUCT DIMENSION:



BULB OPTIONS:

MR16		GU10	
BULB TYPE:	MR16	BULB TYPE:	GU10
VOLTAGE:	12V	VOLTAGE:	120V
MAX. WATTAGE:	50W	MAX. WATTAGE:	50W

*LED COMPATIBLE




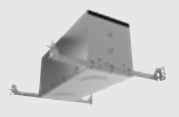


FINISHES:



-11 Crystal

HOUSING OPTIONS (SOLD SEPARATELY)

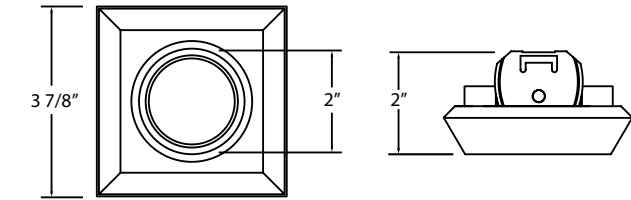
Refer to page 308-309 for housing specification

MR16 REMODEL TERE-00  Cut Hole: 3 1/4" Dimension: 11 3/4"L x 3 1/2"W x 4 1/8"H	 MAGNETIC TRANSFORMER	NEW CONSTRUCTION PLATE VHG-4N01-00  Cut Hole: 3 1/4", 3 1/2", 4 3/8" Dimension: 15 5/8"L x 6 1/8"W x 1 1/4"H	INSULATED CEILING BOX VHG-4I01-00  Cut Hole: 3 1/4", 3 1/2", 4 3/8" Dimension: 15 5/8"L x 6 1/8"W x 7 1/2"H
		GU10 REMODEL GU3-00  Cut Hole: 3 1/4" Dimension: 11 3/4"L x 3 1/2"W x 4 1/8"H	NEW CONSTRUCTION HOUSING GUC3-00  Cut Hole: 3 1/4" Dimension: 12 1/8"L x 7 5/8"W x 4"H



23933-05 | 3" ALUMINUM SQUARE

PRODUCT DIMENSION:



BULB OPTIONS:

MR16		GU10	
BULB TYPE:	MR16	BULB TYPE:	GU10
VOLTAGE:	12V	VOLTAGE:	120V
MAX. WATTAGE:	50W	MAX. WATTAGE:	50W

*LED COMPATIBLE

FINISHES:

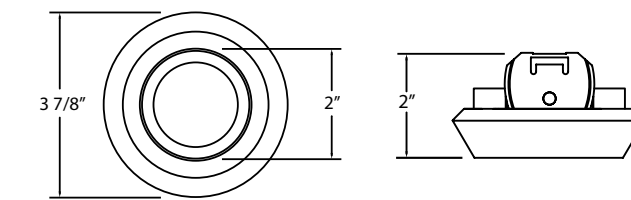


-05 Aluminum



23934-05 | 3" ALUMINUM CYLINDER

PRODUCT DIMENSION:



BULB OPTIONS:

MR16		GU10	
BULB TYPE:	MR16	BULB TYPE:	GU10
VOLTAGE:	12V	VOLTAGE:	120V
MAX. WATTAGE:	50W	MAX. WATTAGE:	50W

*LED COMPATIBLE

FINISHES:

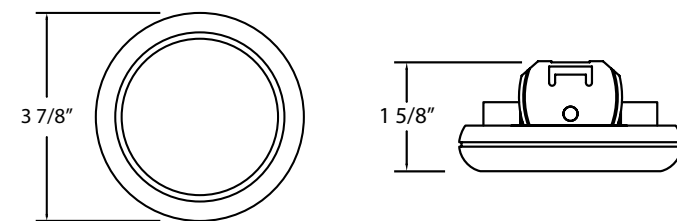


-05 Aluminum



24808 | 3" ROUND DOWNLIGHT

PRODUCT DIMENSION:



BULB OPTIONS:

MR16		GU10	
BULB TYPE:	MR16	BULB TYPE:	GU10
VOLTAGE:	12V	VOLTAGE:	120V
MAX. WATTAGE:	50W	MAX. WATTAGE:	50W

*LED COMPATIBLE

FINISHES:



-101 Satin Nickel /Frosted

-123 Chrome /Frosted

HOUSING OPTIONS (SOLD SEPARATELY)

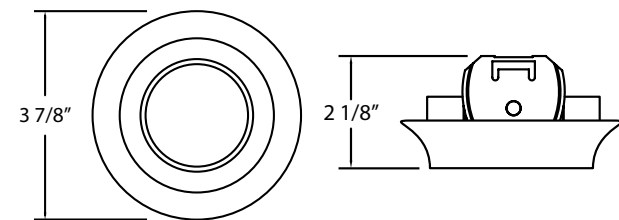
Refer to page 308-309 for housing specification

MR16 REMODEL	MAGNETIC TRANSFORMER	NEW CONSTRUCTION PLATE	INSULATED CEILING BOX
TERE-00		VHG-4N01-00	VHG-4I01-00
Cut Hole: 3 1/4"		Cut Hole: 3 1/4", 3 1/2", 4 3/8"	Cut Hole: 3 1/4", 3 1/2", 4 3/8"
Dimension: 11 3/4"L x 3 1/2"W x 4 1/8"H		Dimension: 15 5/8"L x 6 1/8"W x 1 1/4"H	Dimension: 15 5/8"L x 6 1/8"W x 7 1/2"H
GU10 REMODEL	NEW CONSTRUCTION HOUSING	INSULATED CEILING HOUSING	
GU3-00	GU3-00	GU3-00	
Cut Hole: 3 1/4"	Cut Hole: 3 1/4"	Cut Hole: 3 1/4"	
Dimension: 11 3/4"L x 3 1/2"W x 4 1/8"H	Dimension: 12 1/8"L x 7 5/8"W x 4"H	Dimension: 12 5/8"L x 9"W x 7 3/4"H	



24802-05 | 3" CHROME REGRESSED DOWNLIGHT

PRODUCT DIMENSION:



BULB OPTIONS:	
MR16	GU10
BULB TYPE: MR16	BULB TYPE: GU10
VOLTAGE: 12V	VOLTAGE: 120V
MAX. WATTAGE: 50W	MAX. WATTAGE: 50W

FINISHES:



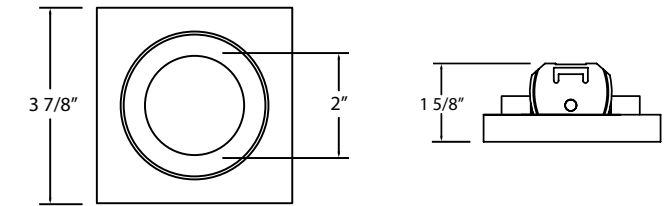
-05 Chrome

*LED COMPATIBLE



23931-05 | 3" CHROME SQUARE

PRODUCT DIMENSION:



BULB OPTIONS:

MR16		GU10	
NO. OF BULBS:	1	NO. OF BULBS:	1
BULB TYPE:	MR16	BULB TYPE:	GU10
VOLTAGE:	12V	VOLTAGE:	120V
MAX. WATTAGE:	50W	MAX. WATTAGE:	50W

*LED COMPATIBLE

FINISHES:

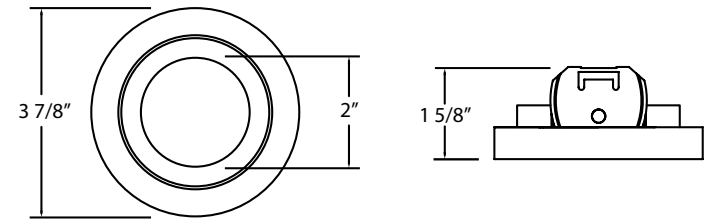


-05 Chrome



23932-05 | 3" CHROME CYLINDER

PRODUCT DIMENSION:



BULB OPTIONS:

MR16		GU10	
BULB TYPE: MR16	BULB TYPE: GU10		
VOLTAGE: 12V	VOLTAGE: 120V		
MAX. WATTAGE: 50W	MAX. WATTAGE: 50W		

*LED COMPATIBLE

FINISHES:



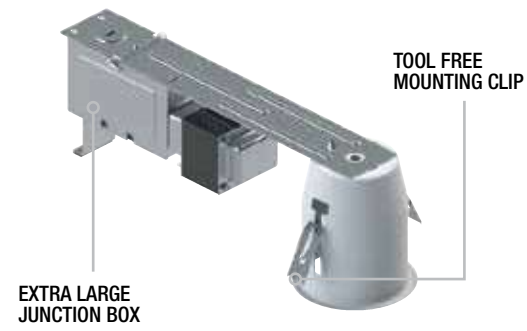
-05 Chrome

HOUSING OPTIONS (SOLD SEPARATELY)

Refer to page 308-309 for housing specification

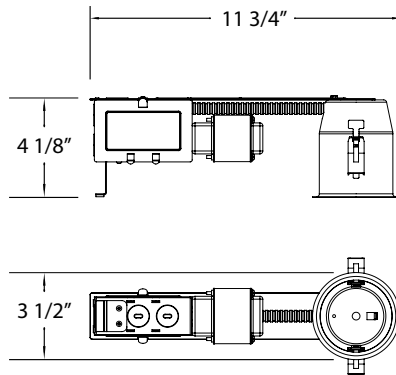
MR16 REMODEL TERE-00	MAGNETIC TRANSFORMER	NEW CONSTRUCTION PLATE VHG-4N01-00	INSULATED CEILING BOX VHG-4I01-00
Cut Hole: 3 1/4"		Cut Hole: 3 1/4", 3 1/2", 4 3/8"	Cut Hole: 3 1/4", 3 1/2", 4 3/8"
Dimension: 11 3/4"L x 3 1/2"W x 4 1/8"H		Dimension: 15 5/8"L x 6 1/8"W x 1 1/4"H	Dimension: 15 5/8"L x 6 1/8"W x 7 1/2"H
GU10 REMODEL GUC3-00	NEW CONSTRUCTION HOUSING GUC3-00	INSULATED CEILING HOUSING GUI3-00	
Cut Hole: 3 1/4"	Cut Hole: 3 1/4"	Cut Hole: 3 1/4"	
Dimension: 11 3/4"L x 3 1/2"W x 4 1/8"H	Dimension: 12 1/8"L x 7 5/8"W x 4"H	Dimension: 12 5/8"L x 9"W x 7 3/4"H	

MR16 REMODEL HOUSING

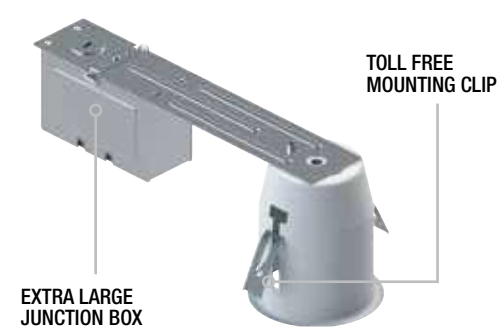


TERE-00

- Housing with thermal protector
- Junction box is listed for through branch circuit wiring and has four 1/2" knockouts with true pry-out slots. Two Romex pry-outs simplify Romex installation
- Two remodeling clips accommodate ceiling thickness up to 3/4"
- For non-insulated ceilings or where insulation must be kept 3" away from housing
- 50W MAX MR16
- Dimmable magnetic transformer 120V
- Cut hole size 3 1/4"

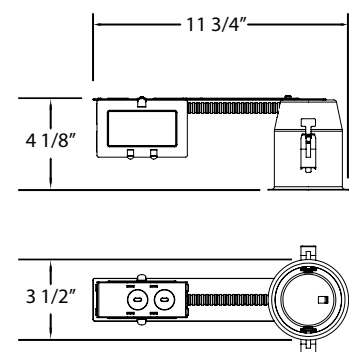


GU10 REMODEL HOUSING

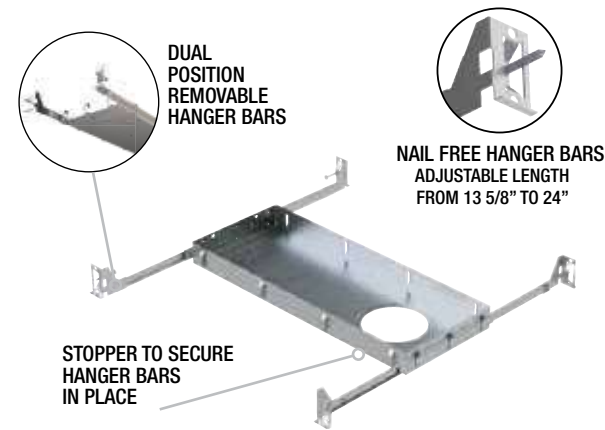


GU3-00

- Housing with thermal protector
- Junction box is listed for through branch circuit wiring and has four 1/2" knockouts with true pry-out slots. Two Romex pry-outs simplify Romex installation
- Two remodeling clips accommodate ceiling thickness up to 3/4"
- For non-insulated ceilings or where insulation must be kept 3" away from housing
- 50W MAX GU10
- 120V
- Cut hole size 3 1/4"

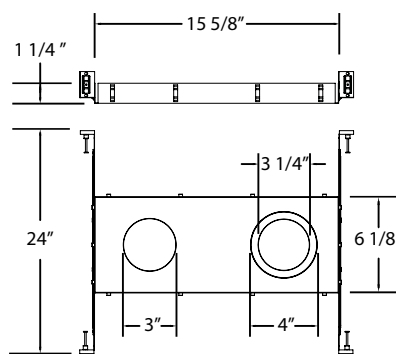
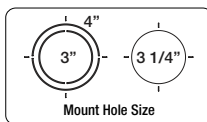


MR16 NEW CONSTRUCTION FRAME-IN PLATE

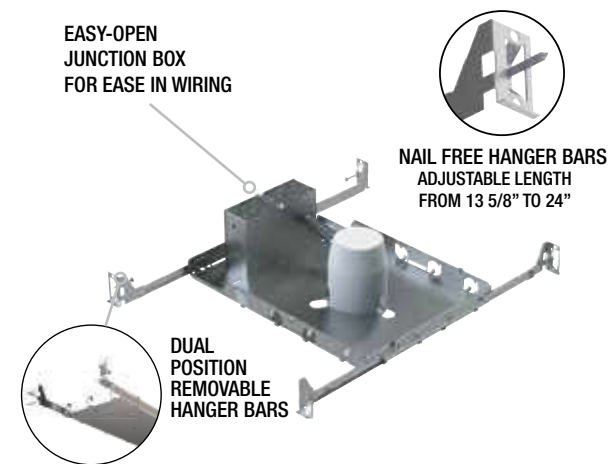


VHG-4N01-00

- New Construction Frame-In Plate will accommodate 3", 3 1/4" and 4" fixture
- Nail free hanger bars are adjustable from 13 5/8" to 24"
- For non-insulated ceilings or where insulation must be kept 3" away from housing
- Cut hole size 3 1/4", 3 1/2", 4 3/8"

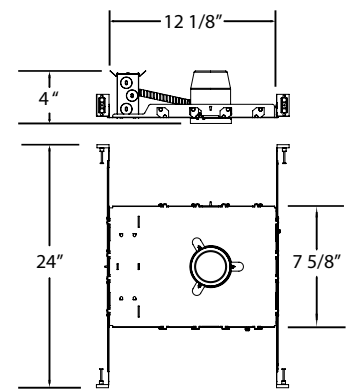


GU10 NEW CONSTRUCTION FRAME-IN HOUSING

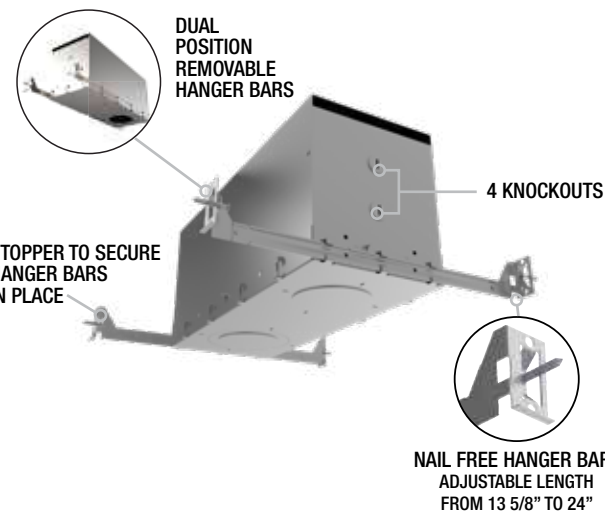


GUC3-00

- Housing with thermal protector
- Nail free hanger bars are adjustable from 13 5/8" to 24"
- Junction box is listed for through branch circuit wiring and has seven 1/2" knockouts with true pry-out slots. Four Romex pry-outs simplify Romex installation
- For non-insulated ceilings or where insulation must be kept 3" away from housing
- 50W MAX GU10
- 120V
- Cut hole size 3 1/4"

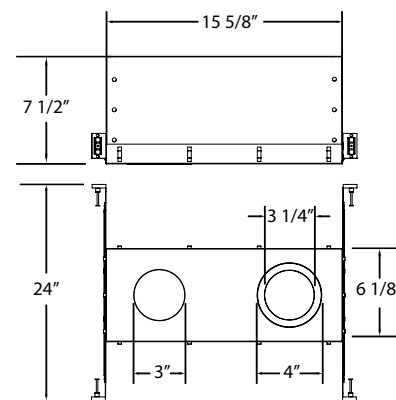
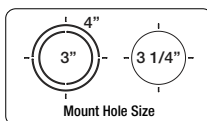


MR16 INSULATED CEILING APPLICATION

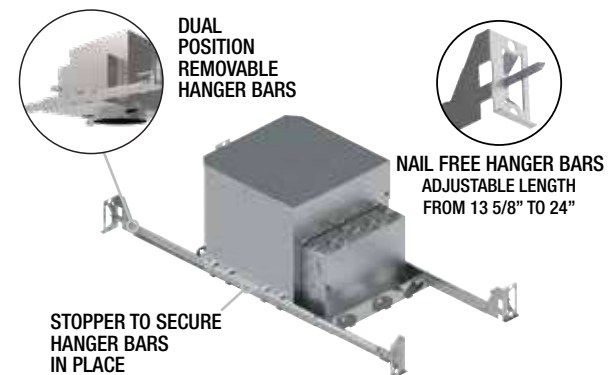


VHG-4I01-00

- For insulated ceilings and direct contact with insulation
- Insulated Ceiling Housing will accommodate 3", 3 1/4" and 4" fixture
- Nail free hanger bars are adjustable from 13 5/8" to 24"
- To be used with all Eurofase 3", 3 1/4", 4" remodel housing
- Cut hole size 3 1/4", 3 1/2", 4 3/8"

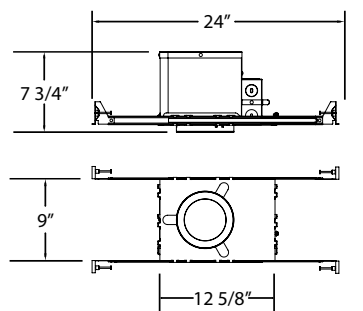


GU10 INSULATED CEILING HOUSING - AIRTIGHT



GUI3-00

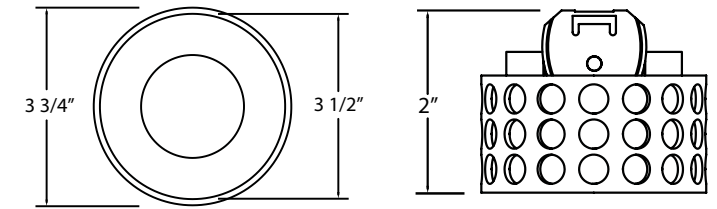
- Housing with thermal protector
- For insulated ceilings and direct contact with insulation
- GUI3-00 is Airtight and prevents airflow between the attic and living areas. The Airtight construction limits air exchange between the plenum, heated and air conditioned areas with double wall housing construction
- 50W MAX GU10
- 120V
- Cut hole size 3 1/4"





23937-05 | 3 1/4" CHROME ROUND CAGE WITH HOLE

PRODUCT DIMENSION:



BULB OPTIONS:

MR16		GU10	
BULB TYPE:	MR16	BULB TYPE:	GU10
VOLTAGE:	12V	VOLTAGE:	120V
MAX. WATTAGE:	50W	MAX. WATTAGE:	50W

*LED COMPATIBLE

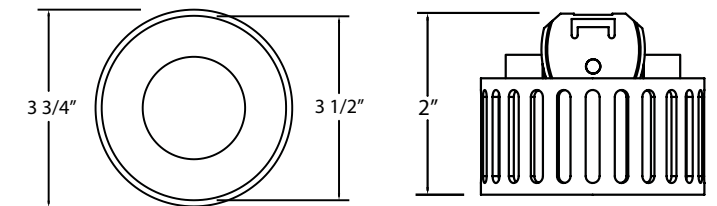
FINISHES:



-05 Chrome

23938-05 | 3 1/4" CHROME ROUND CAGE WITH BARS

PRODUCT DIMENSION:



BULB OPTIONS:

MR16		GU10	
BULB TYPE:	MR16	BULB TYPE:	GU10
VOLTAGE:	12V	VOLTAGE:	120V
MAX. WATTAGE:	50W	MAX. WATTAGE:	50W

*LED COMPATIBLE







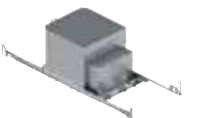
FINISHES:



-05 Chrome

HOUSING OPTIONS (SOLD SEPARATELY)

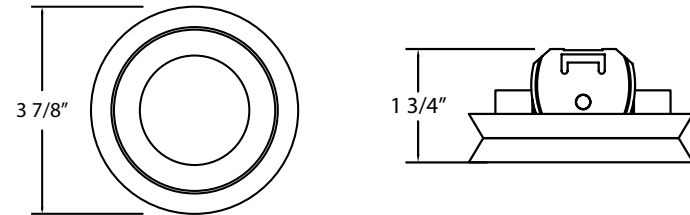
Refer to page 326-329 for housing specification

MR16 REMODEL TERE-325 	 MAGNETIC TRANSFORMER	NEW CONSTRUCTION HOUSING TENC-325B 	INSULATED CEILING HOUSING TEIN-325 
		Cut Hole: 3 1/2" Dimension: 12"L x 4"W x 4 5/8"H	Cut Hole: 3 1/2" Dimension: 12 1/8"L x 7 3/4"W x 4 1/2"H
GU10 REMODEL GUC325 	NEW CONSTRUCTION HOUSING GUC325 	INSULATED CEILING HOUSING GUI325 	Cut Hole: 3 1/2" Dimension: 12"L x 4"W x 4 5/8"H
			Cut Hole: 3 1/2" Dimension: 12 1/8"L x 7 3/4"W x 4 1/2"H



24799 | 3 1/4" ROUND DOWNLIGHT

PRODUCT DIMENSION:



FINISHES:



-04 Satin Nickel -05 Chrome

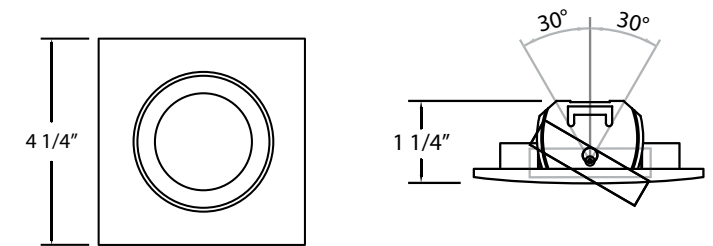
BULB OPTIONS:		MR16		GU10	
BULB TYPE:	MR16	BULB TYPE:	MR16	BULB TYPE:	GU10
VOLTAGE:	12V	VOLTAGE:	12V	VOLTAGE:	120V
MAX. WATTAGE:	50W	MAX. WATTAGE:	50W	MAX. WATTAGE:	50W

*LED COMPATIBLE



24801 | 3 1/4" SQUARE GIMBAL

PRODUCT DIMENSION:



FINISHES:



-04 Satin Nickel -05 Chrome

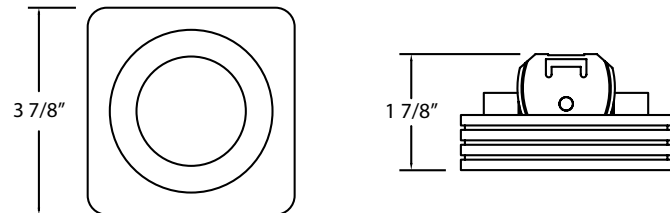
BULB OPTIONS:		MR16		GU10	
BULB TYPE:	MR16	BULB TYPE:	MR16	BULB TYPE:	GU10
VOLTAGE:	12V	VOLTAGE:	12V	VOLTAGE:	120V
MAX. WATTAGE:	50W	MAX. WATTAGE:	50W	MAX. WATTAGE:	50W

*LED COMPATIBLE



24800 | 3 1/4" SQUARE DOWNLIGHT

PRODUCT DIMENSION:



FINISHES:



-04 Satin Nickel -05 Chrome

BULB OPTIONS:		MR16		GU10	
BULB TYPE:	MR16	BULB TYPE:	MR16	BULB TYPE:	GU10
VOLTAGE:	12V	VOLTAGE:	12V	VOLTAGE:	120V
MAX. WATTAGE:	50W	MAX. WATTAGE:	50W	MAX. WATTAGE:	50W

*LED COMPATIBLE

HOUSING OPTIONS (SOLD SEPARATELY)

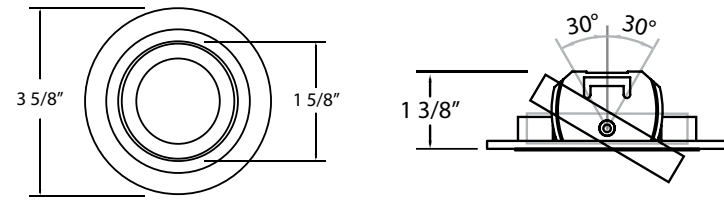
Refer to page 326-329 for housing specification

MR16 REMODEL TERE-325		NEW CONSTRUCTION HOUSING TENC-325B		INSULATED CEILING HOUSING TEIN-325	
	Cut Hole: 3 1/2"		Cut Hole: 3 1/2"		Cut Hole: 3 1/2"
	Dimension: 12"L x 4"W x 4 5/8"H		Dimension: 12 1/8"L x 7 3/4"W x 4 1/2"H		Dimension: 12 5/8"L x 9"W x 7 3/4"H
GU10 REMODEL GU325		NEW CONSTRUCTION HOUSING GUC325		INSULATED CEILING HOUSING GUI325	
	Cut Hole: 3 1/2"		Cut Hole: 3 1/2"		Cut Hole: 3 1/2"
	Dimension: 12"L x 4"W x 4 5/8"H		Dimension: 12 1/8"L x 7 3/4"W x 4 1/2"H		Dimension: 12 5/8"L x 9"W x 7 3/4"H



22751-10 | 3 1/4" ROUND GIMBAL

PRODUCT DIMENSION:



BULB OPTIONS:	
MR16	GU10
BULB TYPE: MR16	BULB TYPE: GU10
VOLTAGE: 12V	VOLTAGE: 120V
MAX. WATTAGE: 50W	MAX. WATTAGE: 50W

*LED COMPATIBLE

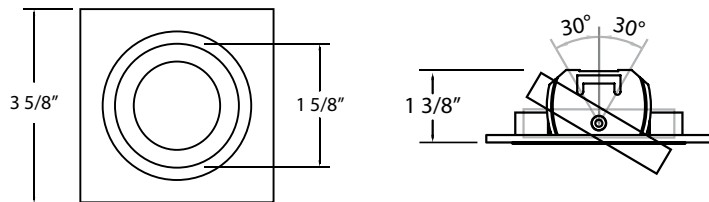
FINISHES:



-10 Aluminum

22750-10 | 3 1/4" SQUARE GIMBAL

PRODUCT DIMENSION:



BULB OPTIONS:	
MR16	GU10
BULB TYPE: MR16	BULB TYPE: GU10
VOLTAGE: 12V	VOLTAGE: 120V
MAX. WATTAGE: 50W	MAX. WATTAGE: 50W

*LED COMPATIBLE

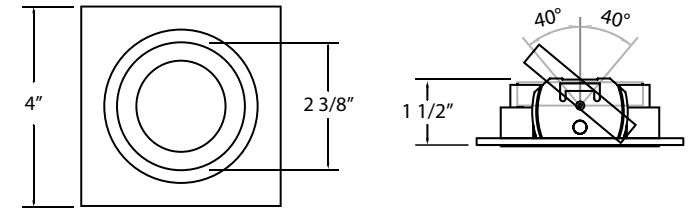
FINISHES:



-10 Aluminum

22748-10 | 3 1/4" REGRESSED GIMBAL

PRODUCT DIMENSION:



BULB OPTIONS:	
MR16	GU10
BULB TYPE: MR16	BULB TYPE: GU10
VOLTAGE: 12V	VOLTAGE: 120V
MAX. WATTAGE: 50W	MAX. WATTAGE: 50W

*LED COMPATIBLE

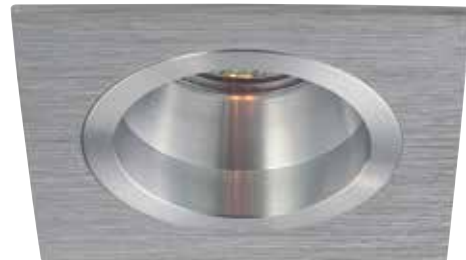
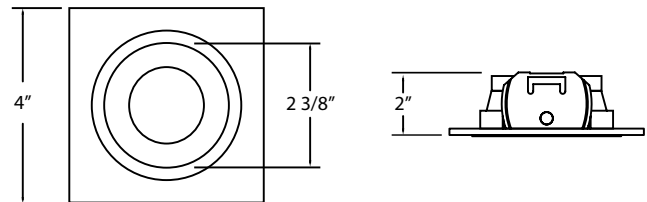
FINISHES:



-10 Aluminum

22749-10 | 3 1/4" REGRESSED DOWNLIGHT

PRODUCT DIMENSION:



BULB OPTIONS:	
MR16	GU10
BULB TYPE: MR16	BULB TYPE: GU10
VOLTAGE: 12V	VOLTAGE: 120V
MAX. WATTAGE: 50W	MAX. WATTAGE: 50W

*LED COMPATIBLE

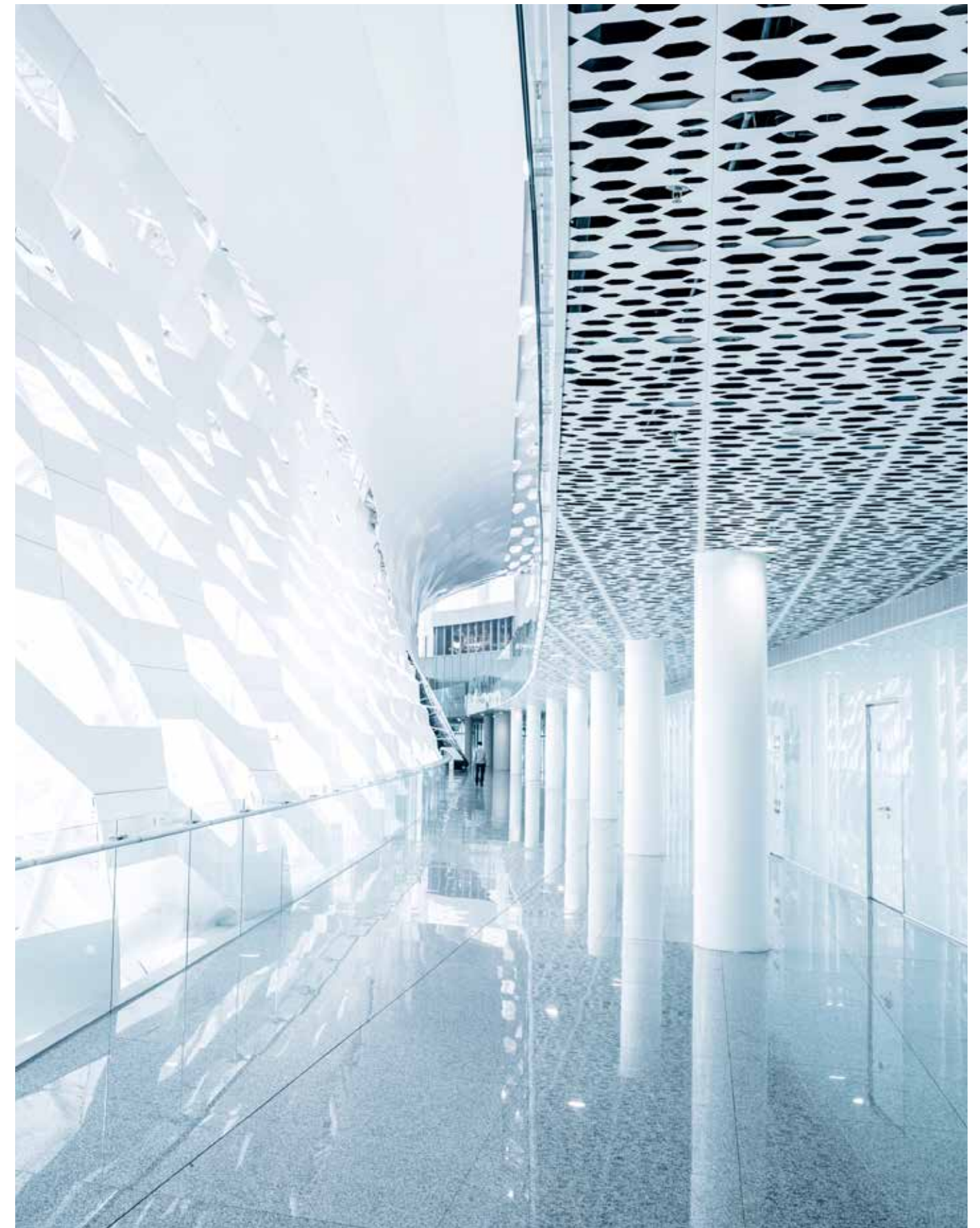
FINISHES:



-10 Aluminum

HOUSING OPTIONS (SOLD SEPARATELY) Refer to page 326-329 for housing specification

MR16 REMODEL TERE-325		NEW CONSTRUCTION HOUSING TENC-325B		INSULATED CEILING HOUSING TEIN-325	
	Cut Hole: 3 1/2"		Cut Hole: 3 1/2"		Cut Hole: 3 1/2"
	Dimension: 12"L x 4"W x 4 5/8"H		Dimension: 12 1/8"L x 7 3/4"W x 4 1/2"H		Dimension: 12 5/8"L x 9"W x 7 3/4"H
GU10 REMODEL GU325		NEW CONSTRUCTION HOUSING GUC325		INSULATED CEILING HOUSING GUI325	
	Cut Hole: 3 1/2"		Cut Hole: 3 1/2"		Cut Hole: 3 1/2"
	Dimension: 12"L x 4"W x 4 5/8"H		Dimension: 12 1/8"L x 7 3/4"W x 4 1/2"H		Dimension: 12 5/8"L x 9"W x 7 3/4"H

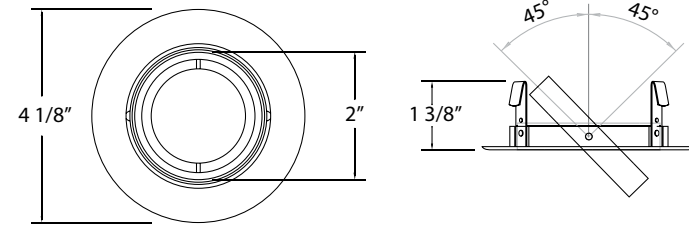


3 1/4" RECESSED MR16 | GU10



TR-G14 | 3 1/4" GIMBAL

PRODUCT DIMENSION:



BULB OPTIONS:	
MR16	GU10
BULB TYPE: MR16	BULB TYPE: GU10
VOLTAGE: 12V	VOLTAGE: 120V
MAX. WATTAGE: 50W	MAX. WATTAGE: 50W

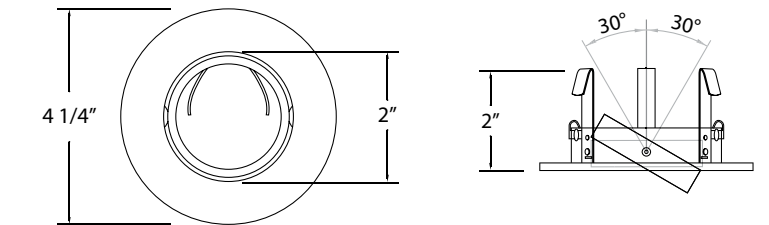
*LED COMPATIBLE

FINISHES:



TR-G02 | 3 1/4" CONVEX GIMBAL

PRODUCT DIMENSION:



BULB OPTIONS:	
MR16	GU10
BULB TYPE: MR16	BULB TYPE: GU10
VOLTAGE: 12V	VOLTAGE: 120V
MAX. WATTAGE: 50W	MAX. WATTAGE: 50W

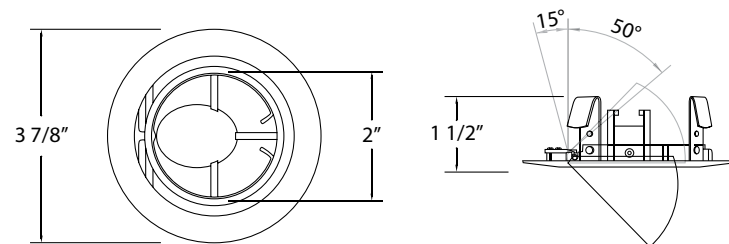
*LED COMPATIBLE

FINISHES:



TE98 | 3 1/4" RETRACTABLE

PRODUCT DIMENSION:



BULB OPTIONS:	
MR16	GU10
BULB TYPE: MR16	BULB TYPE: GU10
VOLTAGE: 12V	VOLTAGE: 120V
MAX. WATTAGE: 50W	MAX. WATTAGE: 50W

*LED COMPATIBLE

FINISHES:



HOUSING OPTIONS (SOLD SEPARATELY)

Refer to page 326-329 for housing specification

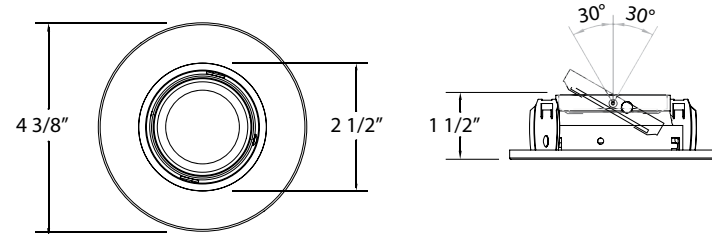
MR16 REMODEL		NEW CONSTRUCTION HOUSING		INSULATED CEILING HOUSING	
TERE-325	MAGNETIC TRANSFORMER	TENC-325B		TEIN-325	
	Cut Hole: 3 1/2"		Cut Hole: 3 1/2"		Cut Hole: 3 1/2"
	Dimension: 12"L x 4"W x 4 5/8"H		Dimension: 12 1/8"L x 7 3/4"W x 4 1/2"H		Dimension: 12 5/8"L x 9"W x 7 3/4"H
GU10 REMODEL		NEW CONSTRUCTION HOUSING		INSULATED CEILING HOUSING	
GUC325		GUC325		GUI325	
	Cut Hole: 3 1/2"		Cut Hole: 3 1/2"		Cut Hole: 3 1/2"
	Dimension: 12"L x 4"W x 4 5/8"H		Dimension: 12 1/8"L x 7 3/4"W x 4 1/2"H		Dimension: 12 5/8"L x 9"W x 7 3/4"H

3 1/4" RECESSED MR16 | GU10



21778 | 3 1/4" SPECULAR REFLECTOR

PRODUCT DIMENSION:



FINISHES:



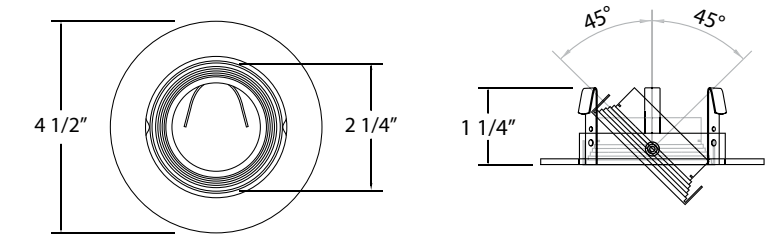
BULB OPTIONS:	
MR16	GU10
BULB TYPE: MR16	BULB TYPE: GU10
VOLTAGE: 12V	VOLTAGE: 120V
MAX. WATTAGE: 50W	MAX. WATTAGE: 50W

*LED COMPATIBLE



TR-M07 | 3 1/4" BAFFLED GIMBAL

PRODUCT DIMENSION:

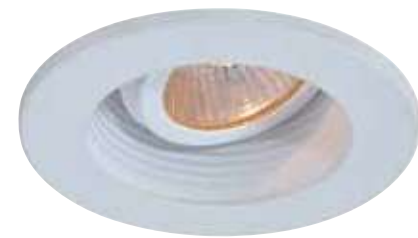


FINISHES:



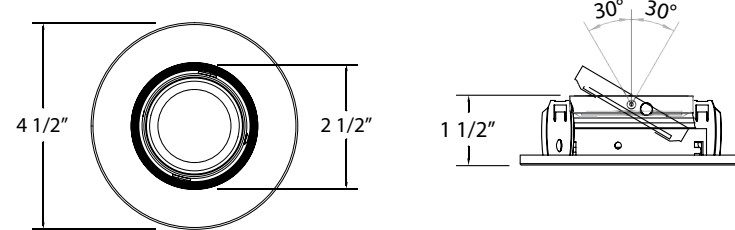
BULB OPTIONS:	
MR16	GU10
BULB TYPE: MR16	BULB TYPE: GU10
VOLTAGE: 12V	VOLTAGE: 120V
MAX. WATTAGE: 50W	MAX. WATTAGE: 50W

*LED COMPATIBLE



21777 | 3 1/4" STEPPED GIMBAL

PRODUCT DIMENSION:



FINISHES:



BULB OPTIONS:	
MR16	GU10
BULB TYPE: MR16	BULB TYPE: GU10
VOLTAGE: 12V	VOLTAGE: 120V
MAX. WATTAGE: 50W	MAX. WATTAGE: 50W

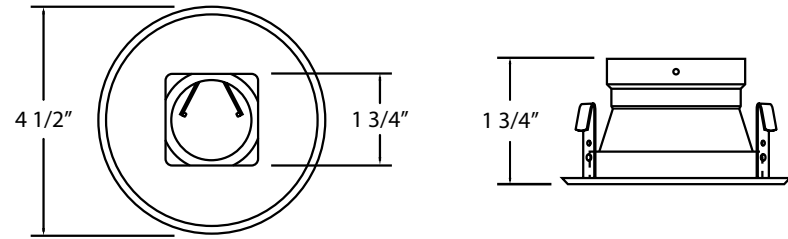
*LED COMPATIBLE

HOUSING OPTIONS (SOLD SEPARATELY) Refer to page 326-329 for housing specification

MR16 REMODEL TERE-325		NEW CONSTRUCTION HOUSING TENC-325B		INSULATED CEILING HOUSING TEIN-325	
	Cut Hole: 3 1/2"		Cut Hole: 3 1/2"		Cut Hole: 3 1/2"
	Dimension: 12"L x 4"W x 4 5/8"H		Dimension: 12 1/8"L x 7 3/4"W x 4 1/2"H		Dimension: 12 5/8"L x 9"W x 7 3/4"H
GU10 REMODEL GUC325		NEW CONSTRUCTION HOUSING GUC325		INSULATED CEILING HOUSING GUI325	
	Cut Hole: 3 1/2"		Cut Hole: 3 1/2"		Cut Hole: 3 1/2"
	Dimension: 12"L x 4"W x 4 5/8"H		Dimension: 12 1/8"L x 7 3/4"W x 4 1/2"H		Dimension: 12 5/8"L x 9"W x 7 3/4"H

19597 | 3 1/4" ROUND REGRESS

PRODUCT DIMENSION:



FINISHES:

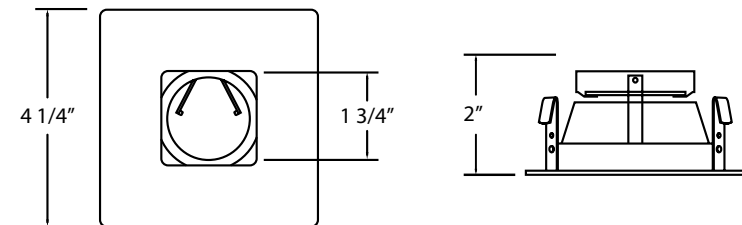


BULB OPTIONS:		GU10	
MR16			
BULB TYPE:	MR16	BULB TYPE:	GU10
VOLTAGE:	12V	VOLTAGE:	120V
MAX. WATTAGE:	50W	MAX. WATTAGE:	50W

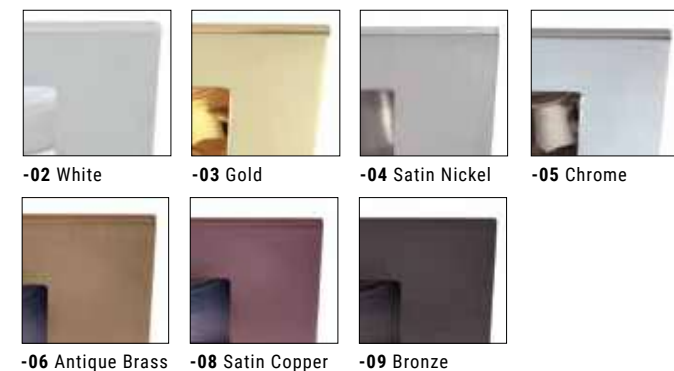
*LED COMPATIBLE

19596 | 3 1/4" SQUARE REGRESS

PRODUCT DIMENSION:



FINISHES:



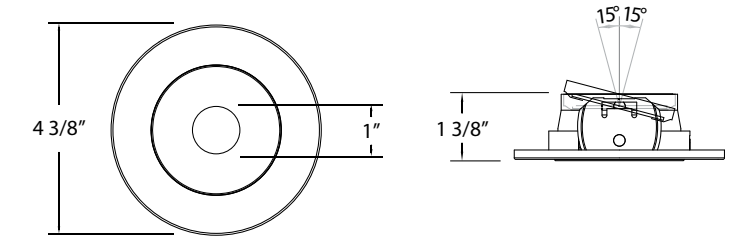
BULB OPTIONS:		GU10	
MR16			
BULB TYPE:	MR16	BULB TYPE:	GU10
VOLTAGE:	12V	VOLTAGE:	120V
MAX. WATTAGE:	50W	MAX. WATTAGE:	50W

*LED COMPATIBLE



21779 | 3 1/4" PIN HOLE

PRODUCT DIMENSION:



BULB OPTIONS:		GU10	
MR16			
BULB TYPE:	MR16	BULB TYPE:	GU10
VOLTAGE:	12V	VOLTAGE:	120V
MAX. WATTAGE:	50W	MAX. WATTAGE:	50W

*LED COMPATIBLE

FINISHES:



HOUSING OPTIONS (SOLD SEPARATELY)

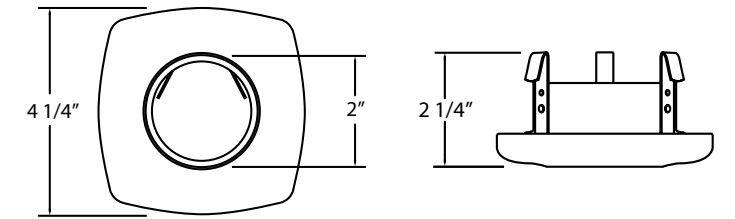
Refer to page 326-329 for housing specification

	MAGNETIC TRANSFORMER	NEW CONSTRUCTION HOUSING	INSULATED CEILING HOUSING
MR16 REMODEL TERE-325			
	Cut Hole: 3 1/2"	Cut Hole: 3 1/2"	Cut Hole: 3 1/2"
	Dimension: 12"L x 4"W x 4 5/8"H	Dimension: 12 1/8"L x 7 3/4"W x 4 1/2"H	Dimension: 12 5/8"L x 9"W x 7 3/4"H
GU10 REMODEL GU325			
	Cut Hole: 3 1/2"	Cut Hole: 3 1/2"	Cut Hole: 3 1/2"
	Dimension: 12"L x 4"W x 4 5/8"H	Dimension: 12 1/8"L x 7 3/4"W x 4 1/2"H	Dimension: 12 5/8"L x 9"W x 7 3/4"H



TR-G15-13 | 3 1/4" ROUNDED SQUARE GLASS

PRODUCT DIMENSION:



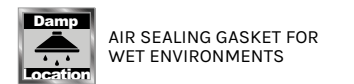
BULB OPTIONS:		MR16		GU10	
BULB TYPE:	MR16	BULB TYPE:	GU10	BULB TYPE:	GU10
VOLTAGE:	12V	VOLTAGE:	120V	VOLTAGE:	120V
MAX. WATTAGE:	50W	MAX. WATTAGE:	50W	MAX. WATTAGE:	50W

*LED COMPATIBLE

FINISHES:

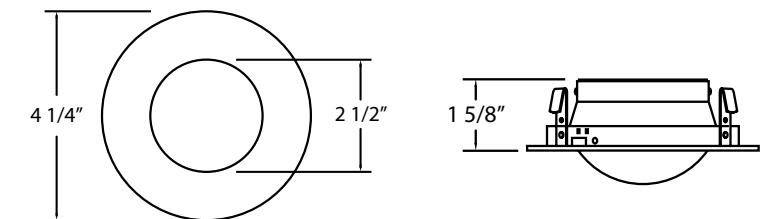


-13 Frost



TE21 | 3 1/4" SHOWER DOME

PRODUCT DIMENSION:



BULB OPTIONS:		MR16		GU10	
BULB TYPE:	MR16	BULB TYPE:	GU10	BULB TYPE:	GU10
VOLTAGE:	12V	VOLTAGE:	120V	VOLTAGE:	120V
MAX. WATTAGE:	50W	MAX. WATTAGE:	50W	MAX. WATTAGE:	50W

*LED COMPATIBLE

FINISHES:



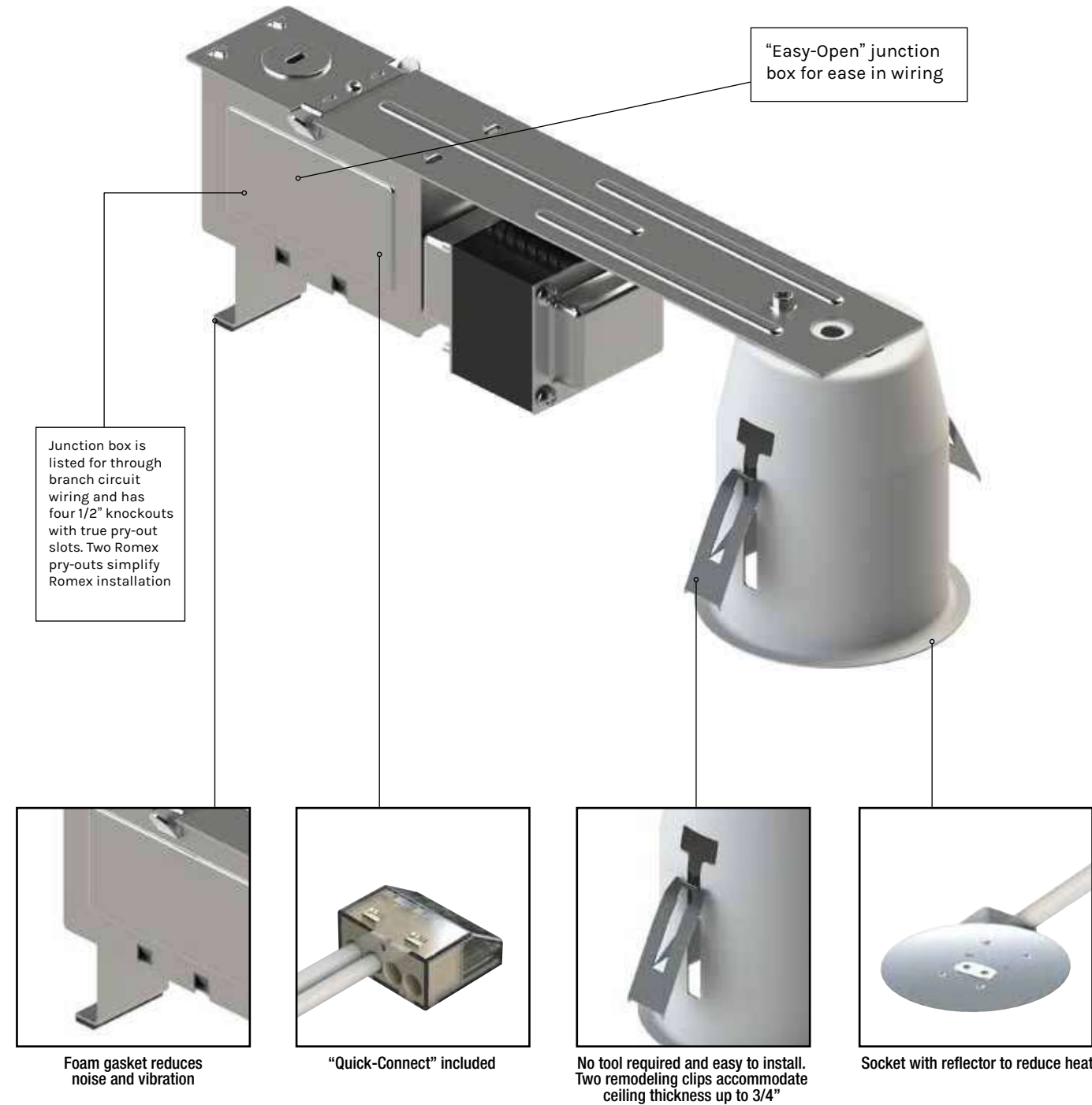
-57 White/Frost -101 Satin Nickel/Frost -123 Chrome/Frost

HOUSING OPTIONS (SOLD SEPARATELY) Refer to page 326-329 for housing specification

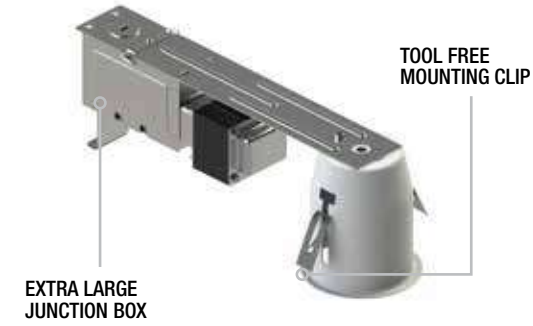
MR16 REMODEL TERE-325		NEW CONSTRUCTION HOUSING TENC-325B		INSULATED CEILING HOUSING TEIN-325	
	Cut Hole: 3 1/2"		Cut Hole: 3 1/2"		Cut Hole: 3 1/2"
	Dimension: 12"L x 4"W x 4 5/8"H		Dimension: 12 1/8"L x 7 3/4"W x 4 1/2"H		Dimension: 12 5/8"L x 9"W x 7 3/4"H
GU10 REMODEL GUC325		NEW CONSTRUCTION HOUSING GUC325		INSULATED CEILING HOUSING GUI325	
	Cut Hole: 3 1/2"		Cut Hole: 3 1/2"		Cut Hole: 3 1/2"
	Dimension: 12"L x 4"W x 4 5/8"H		Dimension: 12 1/8"L x 7 3/4"W x 4 1/2"H		Dimension: 12 5/8"L x 9"W x 7 3/4"H

MR16 REMODEL HOUSING

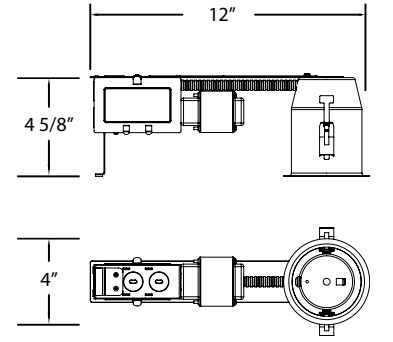
For non-insulated ceilings or where insulation must be kept 3" away from housing



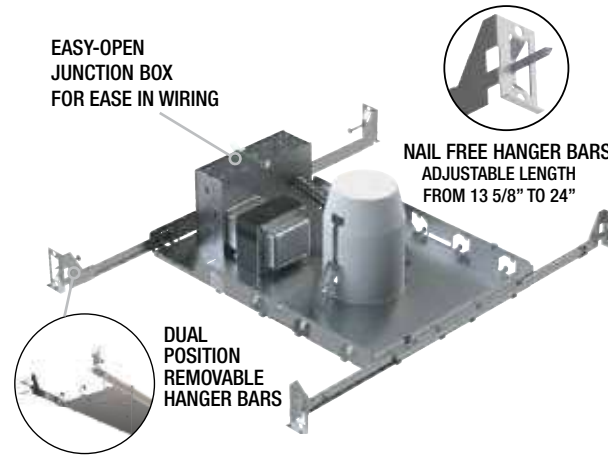
MR16 REMODEL HOUSING



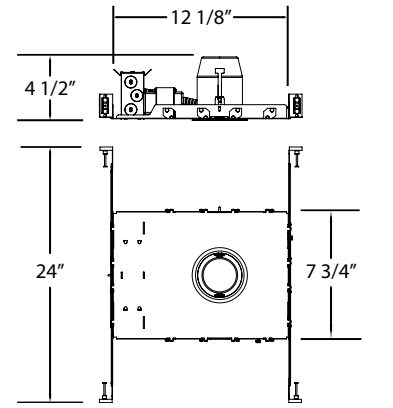
- TERE-325**
- Housing with thermal protector
 - Junction box is listed for through branch circuit wiring and has four 1/2" knockouts with true pry-out slots. Two Romex pry-outs simplify Romex installation
 - Two remodeling clips accommodate ceiling thickness up to 3/4"
 - For non-insulated ceilings or where insulation must be kept 3" away from housing
 - 50W MAX MR16
 - Dimmable magnetic transformer 120V
 - Cut hole size 3 1/2"



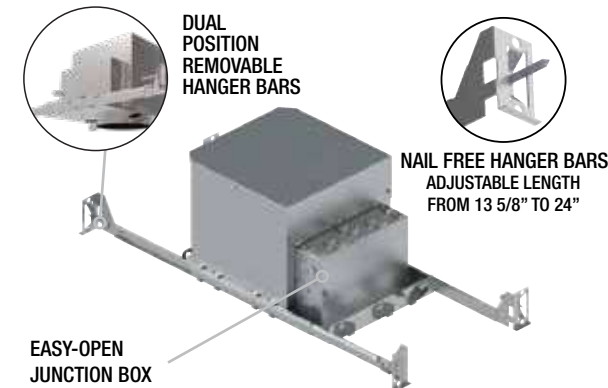
MR16 NEW CONSTRUCTION FRAME-IN HOUSING



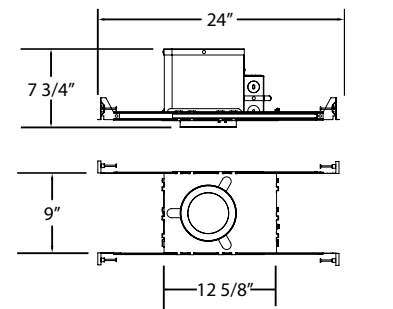
- TENC-325B**
- Housing with thermal protector
 - Nail free hanger bars are adjustable from 13 5/8" to 24"
 - Junction box is listed for through branch circuit wiring and has seven 1/2" knockouts with true pry-out slots. Four Romex pry-outs simplify Romex installation
 - For non-insulated ceilings or where insulation must be kept 3" away from housing
 - 50W MAX MR16
 - Dimmable magnetic transformer 120V
 - Cut hole size 3 1/2"



MR16 INSULATED CEILING HOUSING - AIRTIGHT

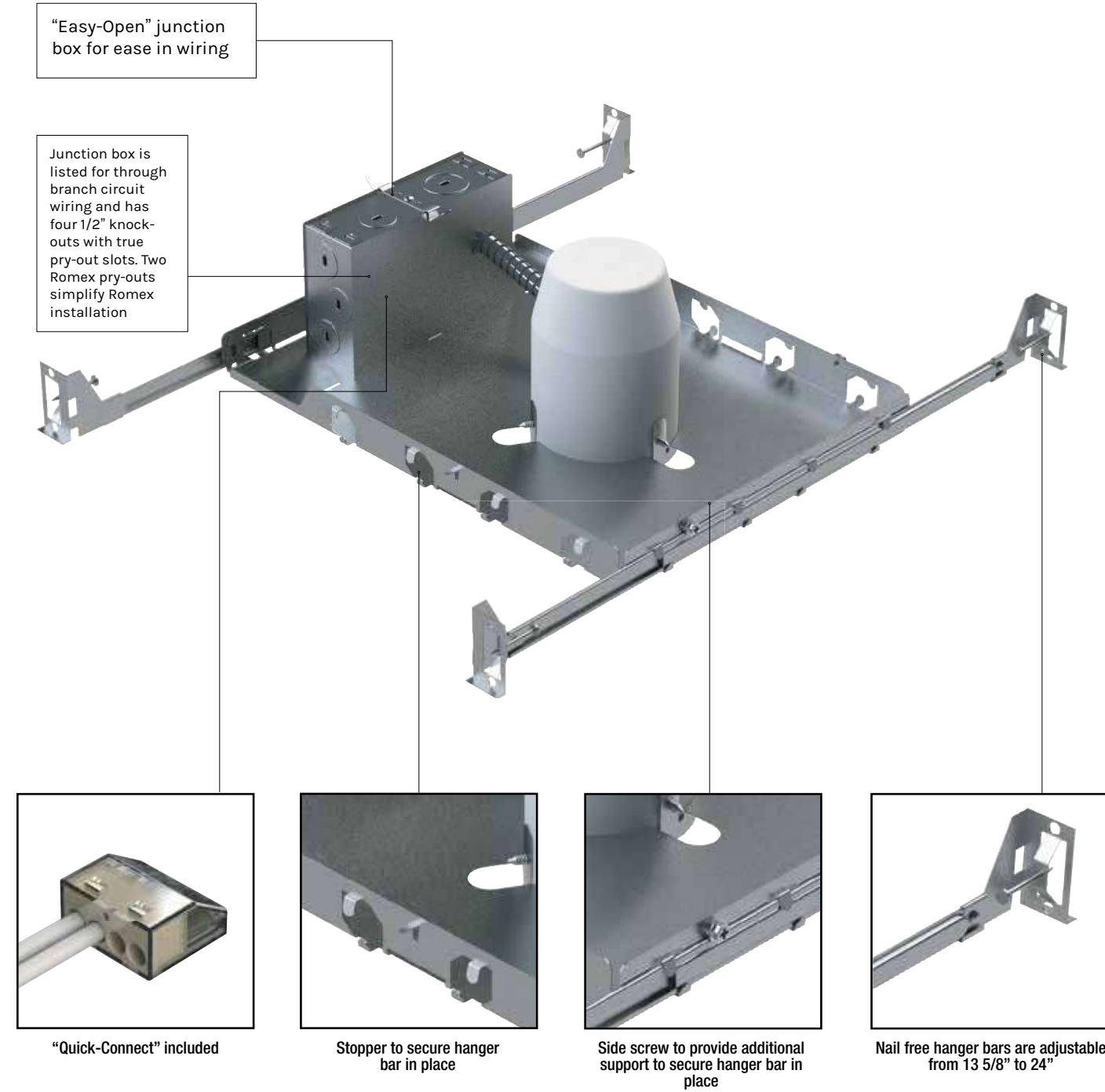


- TEIN-325**
- Housing with thermal protector
 - For insulated ceilings and direct contact with insulation
 - TEIN-325 is Airtight and prevents airflow between the attic and living areas. The Airtight construction limits air exchange between the plenum, heated and air conditioned areas with double wall housing construction
 - Junction box is listed for through branch circuit wiring and has seven 1/2" knockouts with true pry-out slots. Four Romex pry-outs simplify Romex installation
 - 50W MAX MR16
 - Dimmable magnetic transformer 120V
 - Cut hole size 3 1/2"

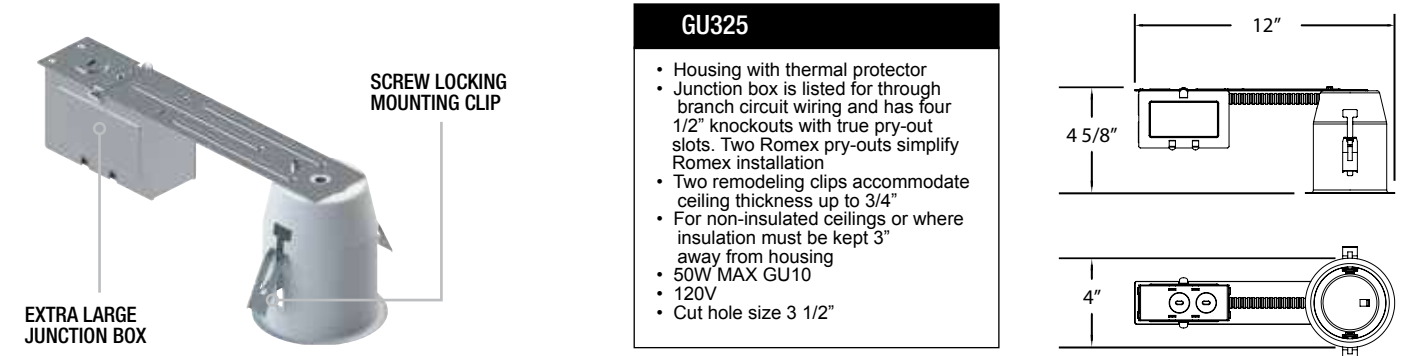


GU10 NEW CONSTRUCTION FRAME-IN PLATE

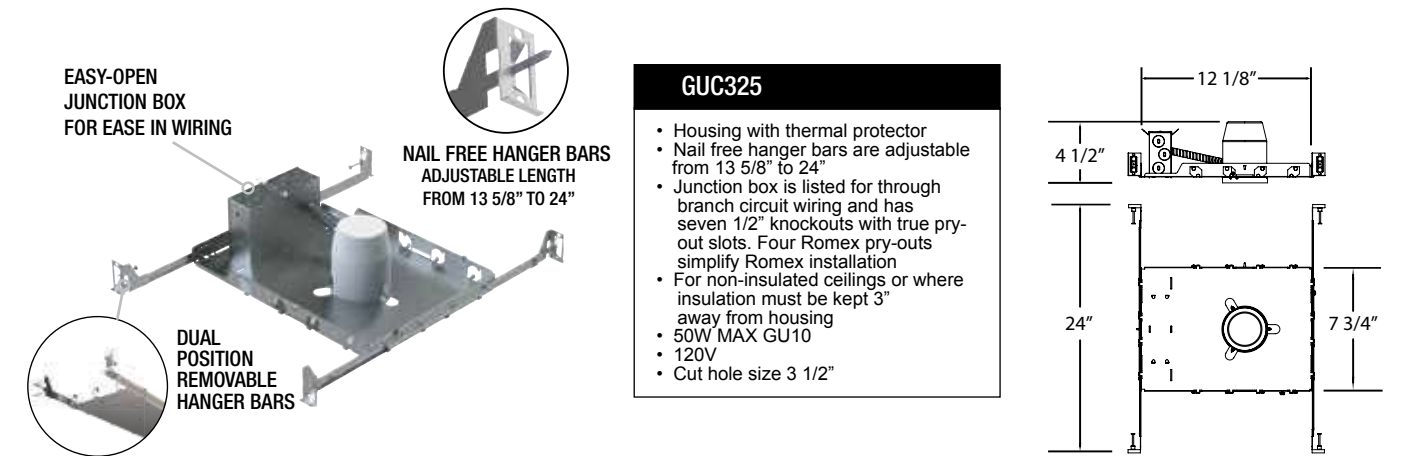
For non-insulated ceilings or where insulation must be kept 3" away from housing



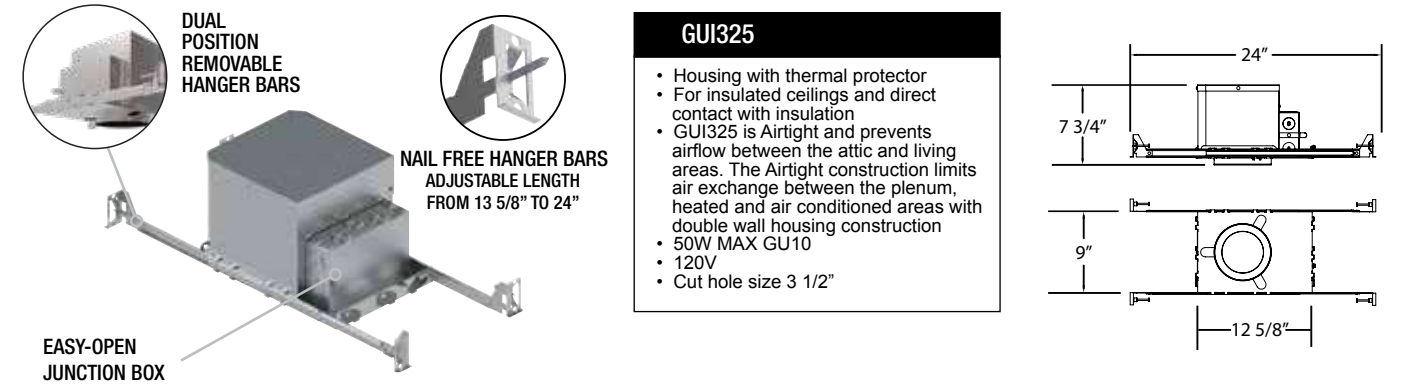
GU10 REMODEL HOUSING



GU10 NEW CONSTRUCTION FRAME-IN HOUSING



GU10 INSULATED CEILING HOUSING - AIRTIGHT



4" RECESSED MR16 | GU10

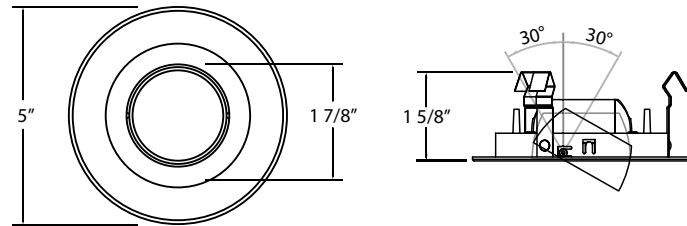


BULB OPTIONS:	
MR16	GU10
BULB TYPE: MR16	BULB TYPE: GU10
VOLTAGE: 12V	VOLTAGE: 120V
MAX. WATTAGE: 50W	MAX. WATTAGE: 50W

*LED COMPATIBLE

19158 | 4" SIDE PIVOT

PRODUCT DIMENSION:

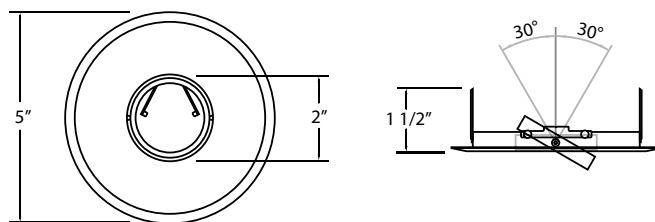


FINISHES:



14486 | 4" GIMBAL MINIMALIST

PRODUCT DIMENSION:



FINISHES:



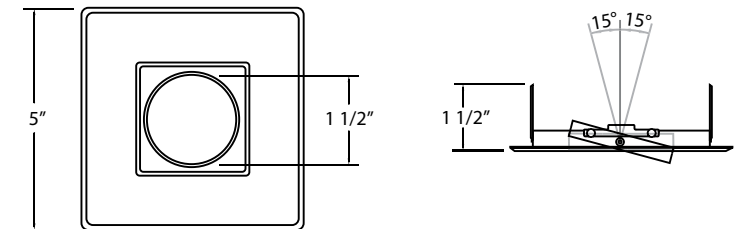
BULB OPTIONS:	
MR16	GU10
BULB TYPE: MR16	BULB TYPE: GU10
VOLTAGE: 12V	VOLTAGE: 120V
MAX. WATTAGE: 50W	MAX. WATTAGE: 50W

*LED COMPATIBLE



19162 | 4" SQUARE GIMBAL

PRODUCT DIMENSION:



BULB OPTIONS:	
MR16	GU10
BULB TYPE: MR16	BULB TYPE: GU10
VOLTAGE: 12V	VOLTAGE: 120V
MAX. WATTAGE: 50W	MAX. WATTAGE: 50W

*LED COMPATIBLE

FINISHES:



HOUSING OPTIONS (SOLD SEPARATELY)

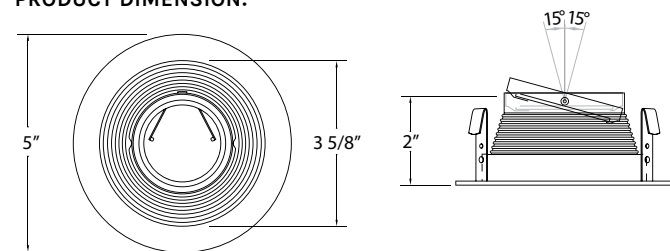
Refer to page 340-343 for housing specification

MR16 REMODEL RH04 Cut Hole: 4 3/8" Dimension: 12 1/2"L x 4 7/8"W x 4 3/8"H	MAGNETIC TRANSFORMER 	NEW CONSTRUCTION HOUSING NC04-B Cut Hole: 4 3/8" Dimension: 12 1/8"L x 7 3/4"W x 4 3/8"H	INSULATED CEILING HOUSING IC04 Cut Hole: 4 3/8" Dimension: 12 5/8"L x 9"W x 7 3/4"H
GU10 REMODEL GU4-00 Cut Hole: 4 3/8" Dimension: 12 1/2"L x 4 7/8"W x 4 3/8"H		NEW CONSTRUCTION HOUSING GUC4-00 Cut Hole: 4 3/8" Dimension: 12 1/8"L x 7 3/4"W x 4 3/8"H	INSULATED CEILING HOUSING GUI4-00 Cut Hole: 4 3/8" Dimension: 12 5/8"L x 9"W x 7 3/4"H



R010 | 4" STEPPED BAFFLE

PRODUCT DIMENSION:



FINISHES:



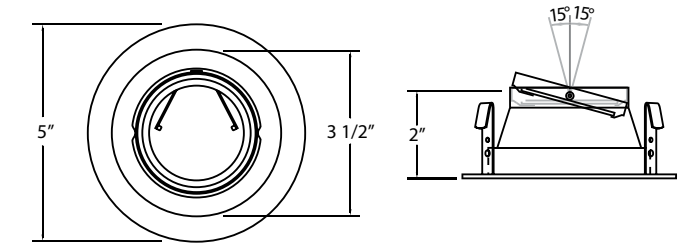
-45 White/Black -46 White/White -89 Satin Nickel/Black -90 Satin Nickel/White

BULB OPTIONS:			
MR16	GU10		
BULB TYPE:	MR16	BULB TYPE:	GU10
VOLTAGE:	12V	VOLTAGE:	120V
MAX. WATTAGE:	50W	MAX. WATTAGE:	50W

*LED COMPATIBLE

R011 | 4" SPECULAR REFLECTOR

PRODUCT DIMENSION:



FINISHES:



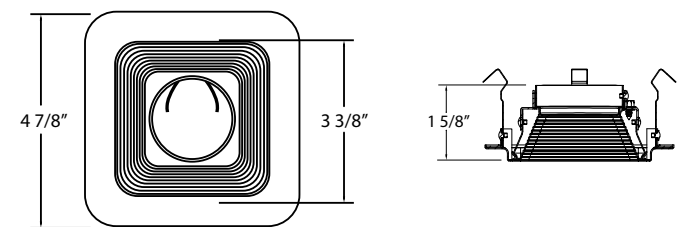
-45 White/Black -49 White/Chrome -115 Chrome/Chrome

BULB OPTIONS:			
MR16	GU10		
BULB TYPE:	MR16	BULB TYPE:	GU10
VOLTAGE:	12V	VOLTAGE:	120V
WATTAGE:	50W	WATTAGE:	50W

*LED COMPATIBLE

19160-45 | 4" SQUARE BAFFLE

PRODUCT DIMENSION:



FINISHES:



-45 White/Black

BULB OPTIONS:			
MR16	GU10		
BULB TYPE:	MR16	BULB TYPE:	GU10
VOLTAGE:	12V	VOLTAGE:	120V
MAX. WATTAGE:	50W	MAX. WATTAGE:	50W

*LED COMPATIBLE

HOUSING OPTIONS (SOLD SEPARATELY)

Refer to page 340-343 for housing specification

BULB TYPE	MR16		GU10	
	REMODEL	NEW CONSTRUCTION HOUSING	REMODEL	NEW CONSTRUCTION HOUSING
	RH04	NC04-B	GU4-00	GUC4-00
	Cut Hole: 4 3/8"	Cut Hole: 4 3/8"	Cut Hole: 4 3/8"	Cut Hole: 4 3/8"
	Dimension: 12 1/2"L x 4 7/8"W x 4 3/8"H	Dimension: 12 1/8"L x 7 3/4"W x 4 3/8"H	Dimension: 12 1/2"L x 4 7/8"W x 4 3/8"H	Dimension: 12 1/8"L x 7 3/4"W x 4 3/8"H
		INSULATED CEILING HOUSING IC04		INSULATED CEILING HOUSING GUI4-00
		Cut Hole: 4 3/8"		Cut Hole: 4 3/8"
		Dimension: 12 5/8"L x 9"W x 7 3/4"H		Dimension: 12 5/8"L x 9"W x 7 3/4"H

4" RECESSED MR16 | GU10



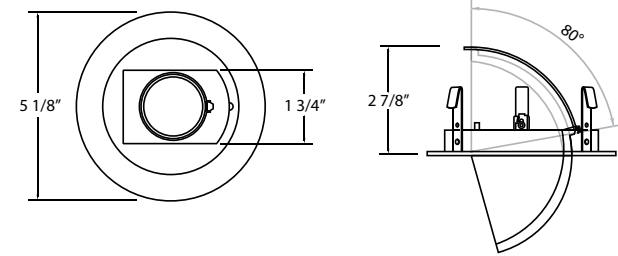
BULB OPTIONS:

MR16	
BULB TYPE:	MR16
VOLTAGE:	12V
MAX. WATTAGE:	50W

*LED COMPATIBLE

R014 | 4" RETRACTABLE ELBOW

PRODUCT DIMENSION:

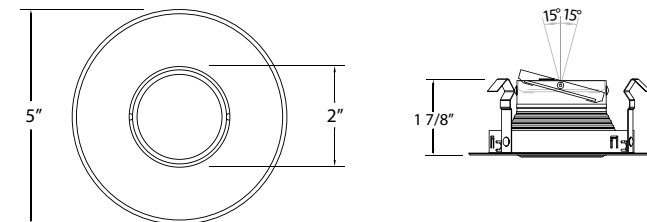


FINISHES:

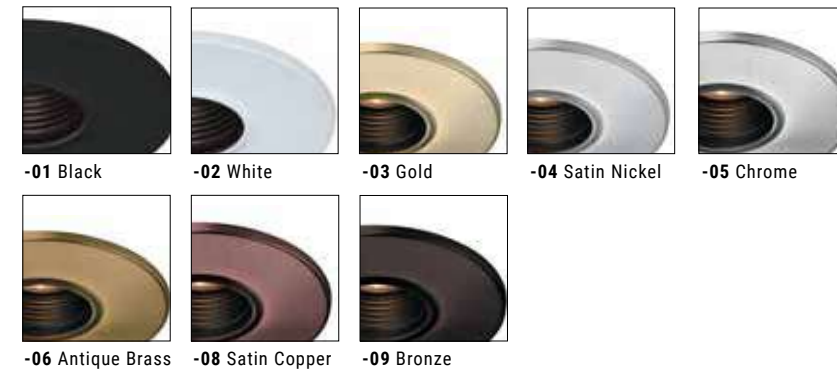


19159 | 4" PIN HOLE

PRODUCT DIMENSION:



FINISHES:



BULB OPTIONS:

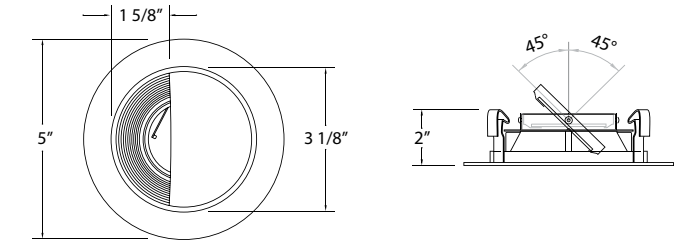
MR16		GU10	
BULB TYPE:	MR16	BULB TYPE:	GU10
VOLTAGE:	12V	VOLTAGE:	120V
MAX. WATTAGE:	50W	MAX. WATTAGE:	50W

*LED COMPATIBLE



R009 | 4" WALL WASHER

PRODUCT DIMENSION:



FINISHES:



BULB OPTIONS:

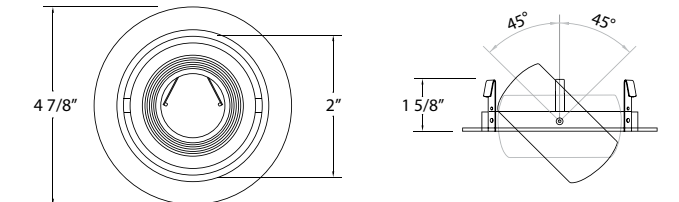
MR16		GU10	
BULB TYPE:	MR16	BULB TYPE:	GU10
VOLTAGE:	12V	VOLTAGE:	120V
MAX. WATTAGE:	50W	MAX. WATTAGE:	50W

*LED COMPATIBLE



R013 | 4" EYEBALL

PRODUCT DIMENSION:



FINISHES:



BULB OPTIONS:

MR16		GU10	
BULB TYPE:	MR16	BULB TYPE:	GU10
VOLTAGE:	12V	VOLTAGE:	120V
MAX. WATTAGE:	50W	MAX. WATTAGE:	50W

*LED COMPATIBLE

HOUSING OPTIONS (SOLD SEPARATELY)

Refer to page 340-343 for housing specification

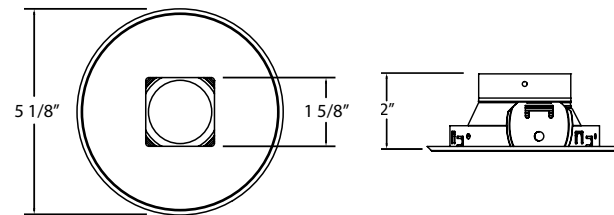
<p>MR16 REMODEL RH04</p> <p>Cut Hole: 4 3/8"</p> <p>Dimension: 12 1/2"L x 4 7/8"W x 4 3/8"H</p>	<p>NEW CONSTRUCTION HOUSING NC04-B</p> <p>Cut Hole: 4 3/8"</p> <p>Dimension: 12 1/8"L x 7 3/4"W x 4 3/8"H</p>	<p>INSULATED CEILING HOUSING IC04</p> <p>Cut Hole: 4 3/8"</p> <p>Dimension: 12 5/8"L x 9"W x 7 3/4"H</p>
<p>GU10 REMODEL GU4-00</p> <p>Cut Hole: 4 3/8"</p> <p>Dimension: 12 1/2"L x 4 7/8"W x 4 3/8"H</p>	<p>NEW CONSTRUCTION HOUSING GUC4-00</p> <p>Cut Hole: 4 3/8"</p> <p>Dimension: 12 1/8"L x 7 3/4"W x 4 3/8"H</p>	<p>INSULATED CEILING HOUSING GUI4-00</p> <p>Cut Hole: 4 3/8"</p> <p>Dimension: 12 5/8"L x 9"W x 7 3/4"H</p>

4" RECESSED MR16 | GU10



23336 | 4" ROUND REGRESS

PRODUCT DIMENSION:



BULB OPTIONS:		MR16		GU10	
BULB TYPE:	MR16	BULB TYPE:	GU10		
VOLTAGE:	12V	VOLTAGE:	120V		
MAX. WATTAGE:	50W	MAX. WATTAGE:	50W		

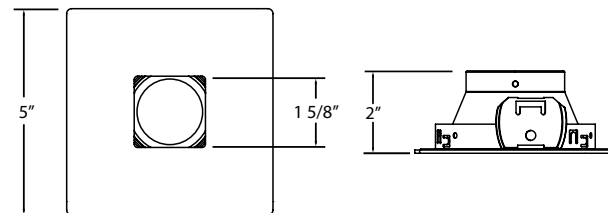
*LED COMPATIBLE

FINISHES:



23337 | 4" SQUARE REGRESS

PRODUCT DIMENSION:



BULB OPTIONS:		MR16		GU10	
BULB TYPE:	MR16	BULB TYPE:	GU10		
VOLTAGE:	12V	VOLTAGE:	120V		
MAX. WATTAGE:	50W	MAX. WATTAGE:	50W		

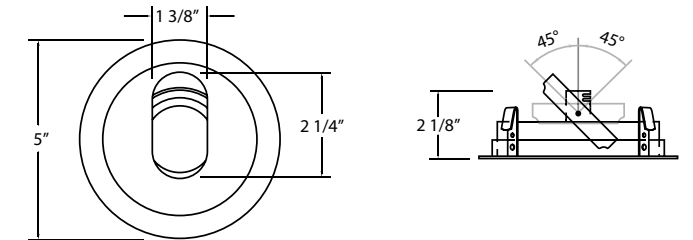
*LED COMPATIBLE

FINISHES:



R012 | 4" SLOT APERTURE

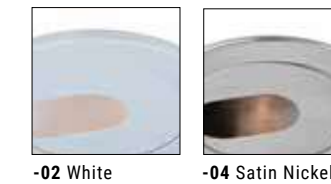
PRODUCT DIMENSION:



BULB OPTIONS:		MR16		GU10	
BULB TYPE:	MR16	BULB TYPE:	GU10		
VOLTAGE:	12V	VOLTAGE:	120V		
MAX. WATTAGE:	50W	MAX. WATTAGE:	50W		

*LED COMPATIBLE

FINISHES:



HOUSING OPTIONS (SOLD SEPARATELY)

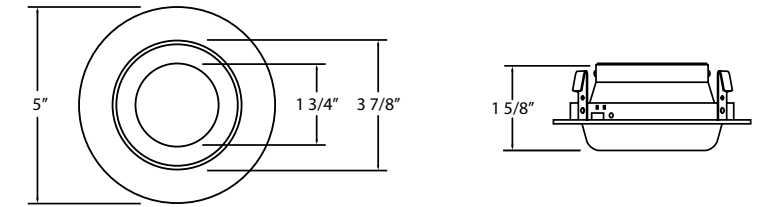
Refer to page 340-343 for housing specification

MR16 REMODEL RH04		NEW CONSTRUCTION HOUSING NC04-B		INSULATED CEILING HOUSING IC04	
	Cut Hole: 4 3/8"		Cut Hole: 4 3/8"		Cut Hole: 4 3/8"
	Dimension: 12 1/2"L x 4 7/8"W x 4 3/8"H		Dimension: 12 1/8"L x 7 3/4"W x 4 3/8"H		Dimension: 12 5/8"L x 9"W x 7 3/4"H
GU10 REMODEL GU4-00		NEW CONSTRUCTION HOUSING GUC4-00		INSULATED CEILING HOUSING GUI4-00	
	Cut Hole: 4 3/8"		Cut Hole: 4 3/8"		Cut Hole: 4 3/8"
	Dimension: 12 1/2"L x 4 7/8"W x 4 3/8"H		Dimension: 12 1/8"L x 7 3/4"W x 4 3/8"H		Dimension: 12 5/8"L x 9"W x 7 3/4"H



19161-57 | 4" ROUND FROSTED GLASS

PRODUCT DIMENSION:



BULB OPTIONS:		BULB OPTIONS:	
MR16		GU10	
BULB TYPE:	MR16	BULB TYPE:	GU10
VOLTAGE:	12V	VOLTAGE:	120V
MAX. WATTAGE:	50W	MAX. WATTAGE:	50W

*LED COMPATIBLE

FINISHES:

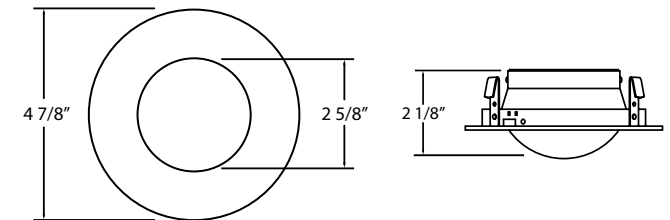


-57 White/Frost



TR-A401 | 4" SHOWER DOME

PRODUCT DIMENSION:









BULB OPTIONS:		BULB OPTIONS:	
MR16		GU10	
BULB TYPE:	MR16	BULB TYPE:	GU10
VOLTAGE:	12V	VOLTAGE:	120V
MAX. WATTAGE:	50W	MAX. WATTAGE:	50W

*LED COMPATIBLE

FINISHES:

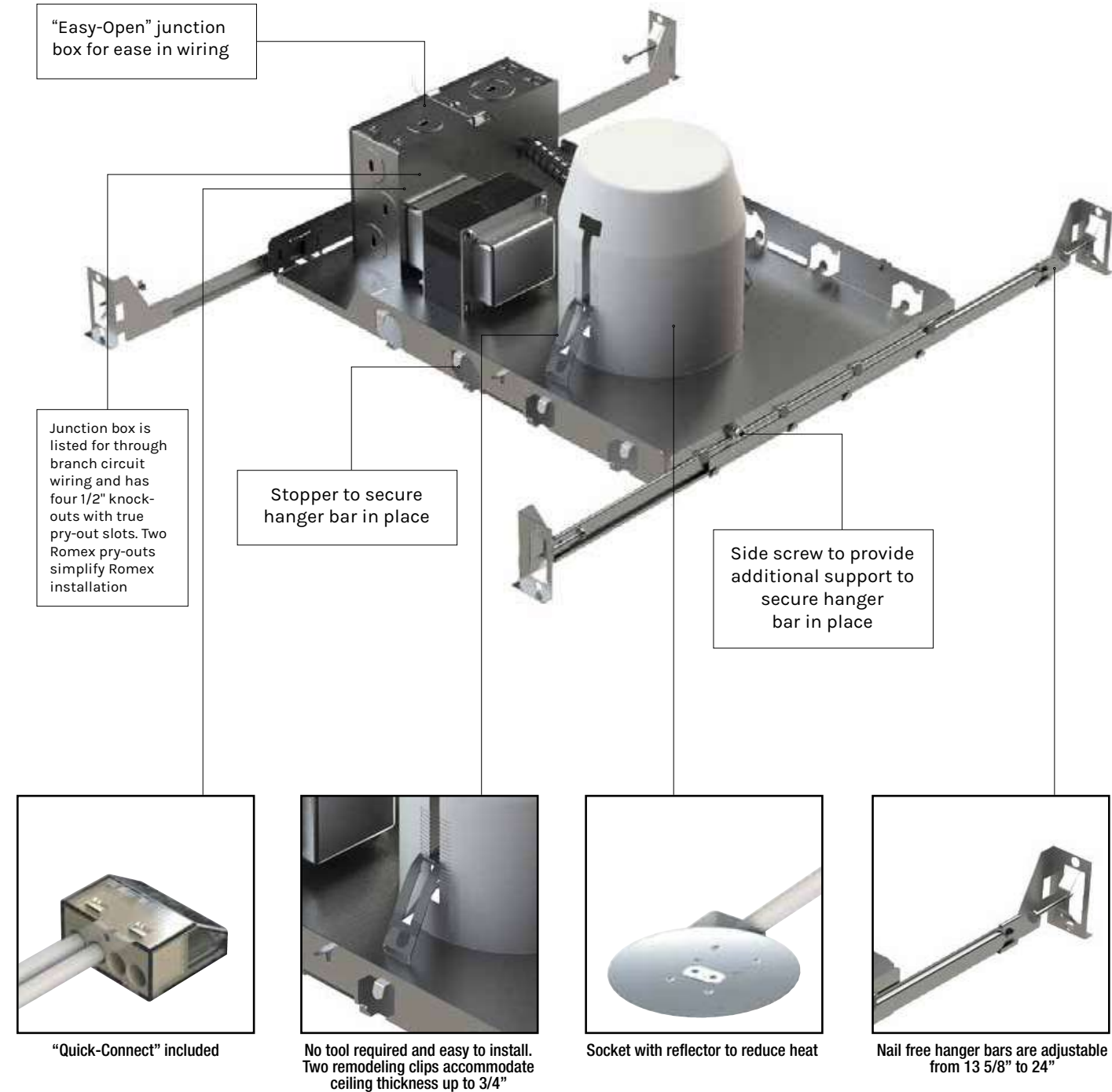


-57 White/Frost -101 Satin Nickel/Frost -123 Chrome/Frost

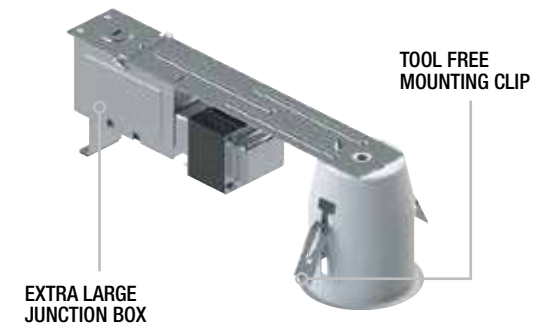
HOUSING OPTIONS (SOLD SEPARATELY)			Refer to page 340-343 for housing specification
MR16 REMODEL RH04  MAGNETIC TRANSFORMER	NEW CONSTRUCTION HOUSING NC04-B  Cut Hole: 4 3/8" Dimension: 12 1/2"L x 4 7/8"W x 4 3/8"H	INSULATED CEILING HOUSING IC04  Cut Hole: 4 3/8" Dimension: 12 5/8"L x 9"W x 7 3/4"H	
	GU10 REMODEL GU4-00  Cut Hole: 4 3/8" Dimension: 12 1/2"L x 4 7/8"W x 4 3/8"H	NEW CONSTRUCTION HOUSING GUC4-00  Cut Hole: 4 3/8" Dimension: 12 1/8"L x 7 3/4"W x 4 3/8"H	INSULATED CEILING HOUSING GUI4-00  Cut Hole: 4 3/8" Dimension: 12 5/8"L x 9"W x 7 3/4"H

MR16 NEW CONSTRUCTION FRAME-IN PLATE

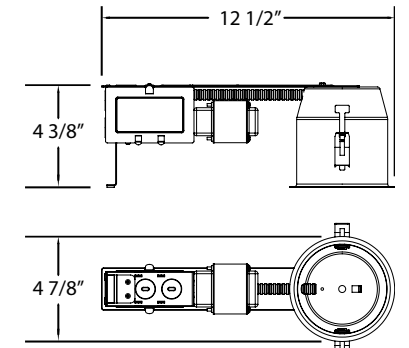
For non-insulated ceilings or where insulation must be kept 3" away from housing



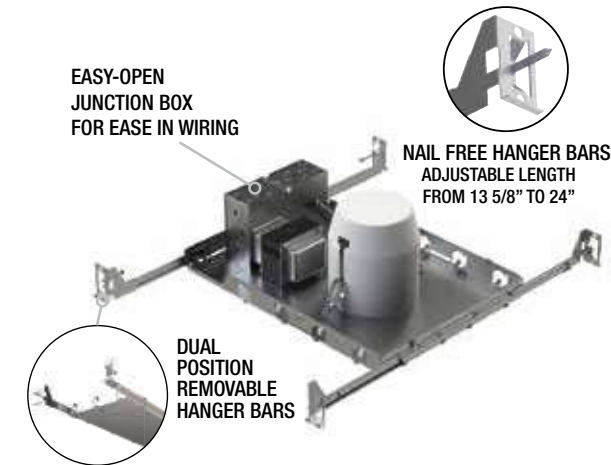
MR16 REMODEL HOUSING



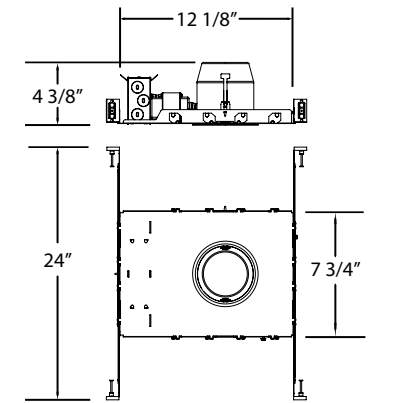
- RH04**
- Housing with thermal protector
 - Junction box is listed for through branch circuit wiring and has four 1/2" knockouts with true pry-out slots. Two Romex pry-outs simplify Romex installation
 - Two remodeling clips accommodate ceiling thickness up to 3/4"
 - For non-insulated ceilings or where insulation must be kept 3" away from housing
 - 50W MAX MR16
 - Dimmable magnetic transformer 120V
 - Cut hole size 4 3/8"



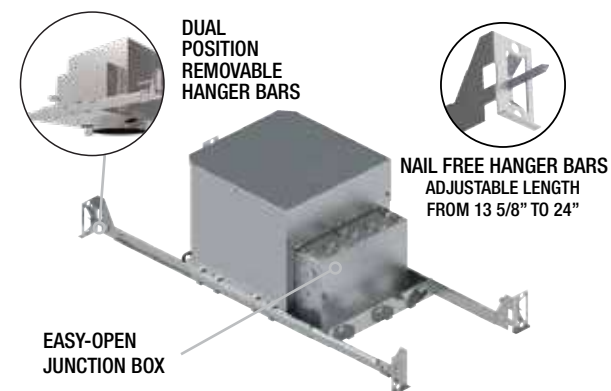
MR16 NEW CONSTRUCTION FRAME-IN HOUSING



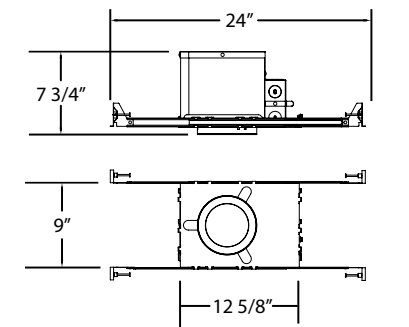
- NC04-B**
- Housing with thermal protector
 - Nail free hanger bars are adjustable from 13 5/8" to 24"
 - Junction box is listed for through branch circuit wiring and has seven 1/2" knockouts with true pry-out slots. Four Romex pry-outs simplify Romex installation
 - For non-insulated ceilings or where insulation must be kept 3" away from housing
 - 50W MAX MR16
 - Dimmable magnetic transformer 120V
 - Cut hole size 4 3/8"



MR16 INSULATED CEILING APPLICATION

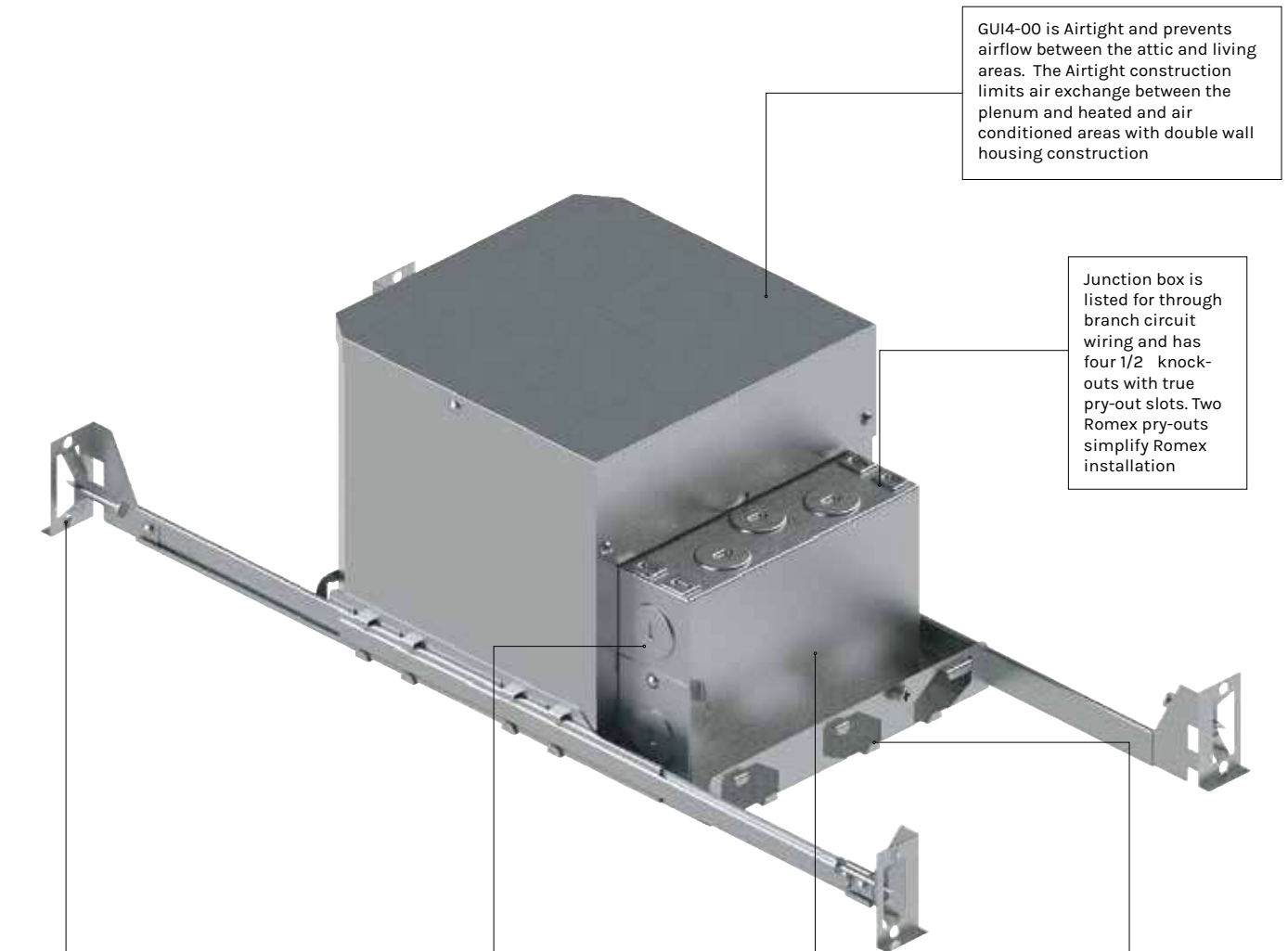


- IC04**
- Housing with thermal protector
 - For insulated ceilings and direct contact with insulation
 - IC04 is Airtight and prevents airflow between the attic and living areas. The Airtight construction limits air exchange between the plenum, heated and air conditioned areas with double wall housing construction
 - Nail free hanger bars are adjustable from 13 5/8" to 24"
 - Junction box is listed for through branch circuit wiring and has seven 1/2" knockouts with true pry-out slots. Four Romex pry-outs simplify Romex installation
 - 50W MAX MR16
 - Dimmable magnetic transformer 120V
 - Cut hole size 4 3/8"



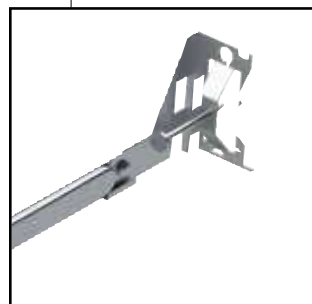
GU10 INSULATED CEILING APPLICATION

For insulated ceilings and direct contact with insulation



GUI4-00 is Airtight and prevents airflow between the attic and living areas. The Airtight construction limits air exchange between the plenum and heated and air conditioned areas with double wall housing construction

Junction box is listed for through branch circuit wiring and has four 1/2" knock-outs with true pry-outs simplify Romex installation



Nail free hanger bars are adjustable from 13 5/8" to 24"



"Easy-Open" junction box for ease in wiring

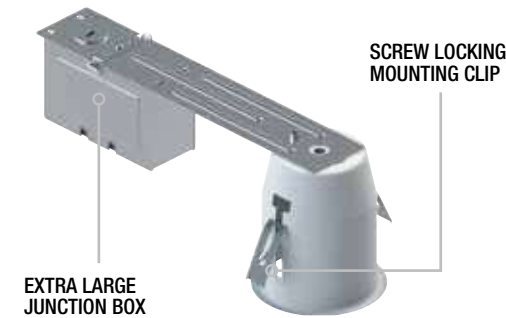


"Quick-Connect" included



Side screw to secure hanger bar in place

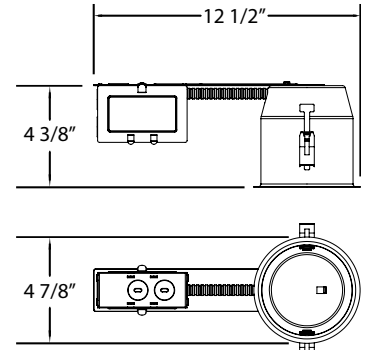
GU10 REMODEL HOUSING



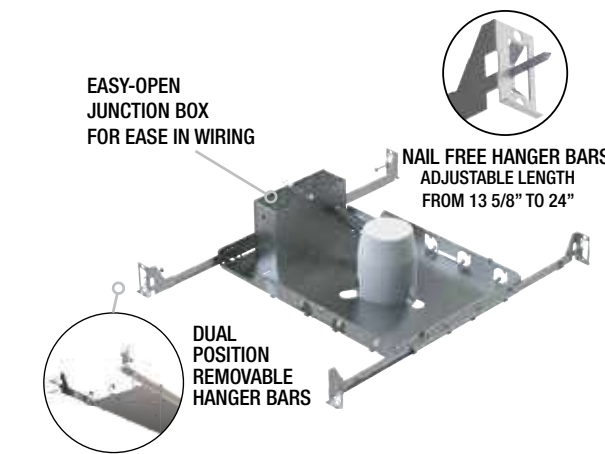
EXTRA LARGE JUNCTION BOX

SCREW LOCKING MOUNTING CLIP

- GU4-00**
- Housing with thermal protector
 - Junction box is listed for through branch circuit wiring and has four 1/2" knockouts with true pry-out slots. Two Romex pry-outs simplify Romex installation
 - Two remodeling clips accommodate ceiling thickness up to 3/4"
 - For non-insulated ceilings or where insulation must be kept 3" away from housing
 - 50W MAX GU10
 - 120V
 - Cut hole size 4 3/8"



GU10 NEW CONSTRUCTION FRAME-IN HOUSING

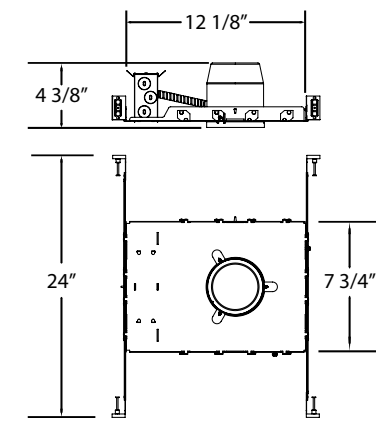


EASY-OPEN JUNCTION BOX FOR EASE IN WIRING

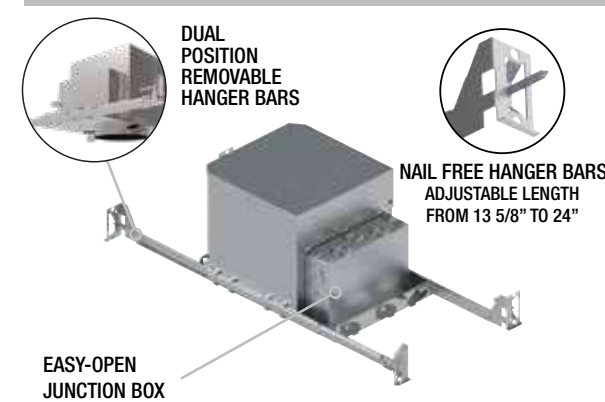
NAIL FREE HANGER BARS ADJUSTABLE LENGTH FROM 13 5/8" TO 24"

DUAL POSITION REMOVABLE HANGER BARS

- GUC4-00**
- Housing with thermal protector
 - Nail free hanger bars are adjustable from 13 5/8" to 24"
 - Junction box is listed for through branch circuit wiring and has seven 1/2" knockouts with true pry-out slots. Four Romex pry-outs simplify Romex installation
 - For non-insulated ceilings or where insulation must be kept 3" away from housing
 - 50W MAX GU10
 - 120V
 - Cut hole size 4 3/8"



GU10 INSULATED CEILING HOUSING - AIRTIGHT

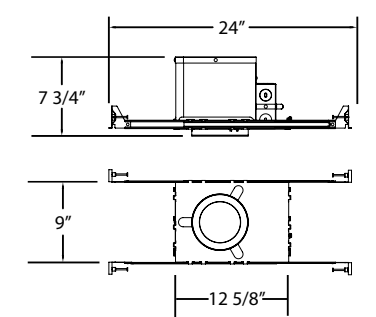


DUAL POSITION REMOVABLE HANGER BARS

NAIL FREE HANGER BARS ADJUSTABLE LENGTH FROM 13 5/8" TO 24"

EASY-OPEN JUNCTION BOX

- GUI4-00**
- Housing with thermal protector
 - For insulated ceilings and direct contact with insulation
 - GUI4-00 is Airtight and prevents airflow between the attic and living areas. The Airtight construction limits air exchange between the plenum, heated and air conditioned areas with double wall housing construction
 - 50W MAX GU10
 - 120V
 - Cut hole size 4 3/8"

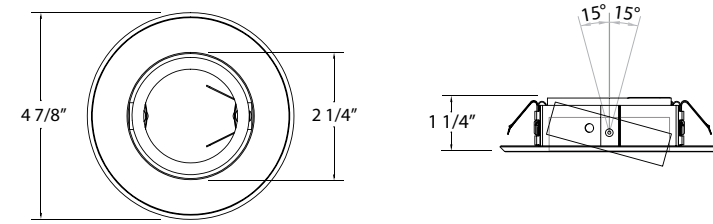


4" RECESSED PAR20



19165 | 4" GIMBAL

PRODUCT DIMENSION:



FINISHES:

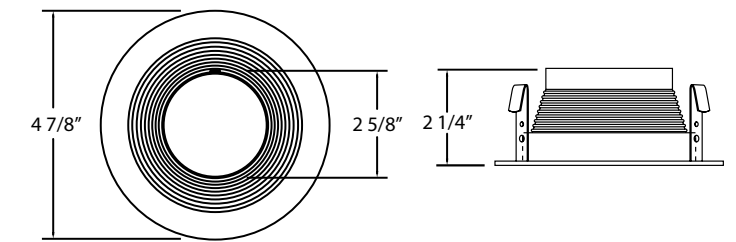


BULB OPTIONS:
PAR20
 BULB TYPE: PAR20
 VOLTAGE: 120V
 MAX. WATTAGE: 50W
 BULB SOCKET: E26



TR-P401 | 4" STEPPED BAFFLE

PRODUCT DIMENSION:



FINISHES:

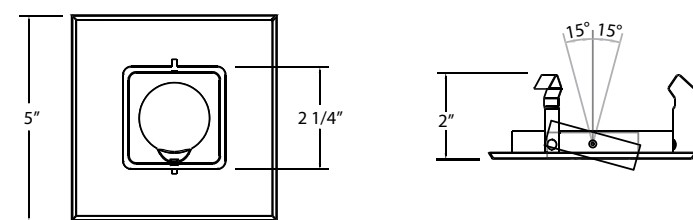


BULB OPTIONS:
PAR20
 BULB TYPE: PAR20
 VOLTAGE: 120V
 MAX. WATTAGE: 50W
 BULB SOCKET: E26



19167 | 4" SQUARE GIMBAL

PRODUCT DIMENSION:



FINISHES:

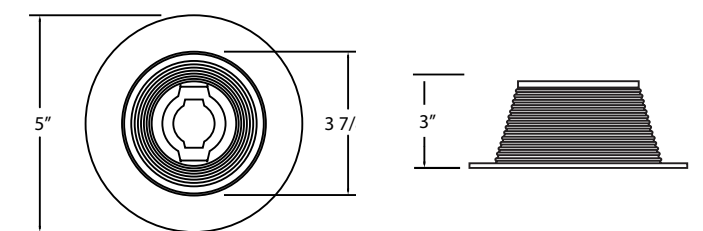


BULB OPTIONS:
PAR20
 BULB TYPE: PAR20
 VOLTAGE: 120V
 MAX. WATTAGE: 50W
 BULB SOCKET: E26



19163 | 4" STEPPED BAFFLE AIR PROOF

PRODUCT DIMENSION:



FINISHES:

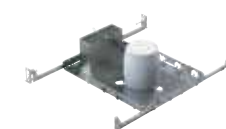


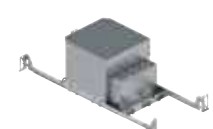
BULB OPTIONS:
PAR20
 BULB TYPE: PAR20
 VOLTAGE: 120V
 MAX. WATTAGE: 50W
 BULB SOCKET: E26

HOUSING OPTIONS (SOLD SEPARATELY) Refer to page 350-351 for housing specification

PAR20 REMODEL
 HG-4PR

 Cut Hole: 4 3/8"
 Dimension: 13 1/4"L x 4 7/8"W x 4 3/8"H

NEW CONSTRUCTION HOUSING
 HG-4PN

 Cut Hole: 4 3/8"
 Dimension: 12 1/8"L x 7 3/4"W x 4 3/8"H

INSULATED CEILING HOUSING
 HG-4PI

 Cut Hole: 4 3/8"
 Dimension: 8"L x 5"W x 6"H

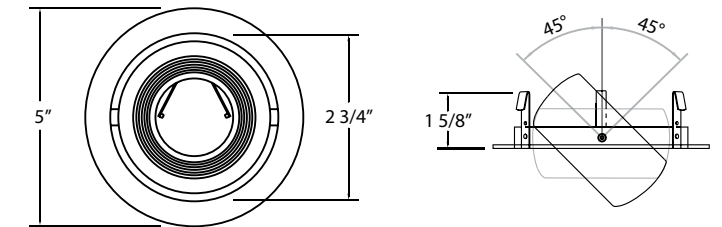


BULB OPTIONS:

PAR20	
BULB TYPE:	PAR20
VOLTAGE:	120V
MAX. WATTAGE:	50W
BULB SOCKET:	E26

TR-P403 | 4" EYEBALL

PRODUCT DIMENSION:



FINISHES:



-02 White



-04 Satin Nickel

HOUSING OPTIONS (SOLD SEPARATELY)

Refer to page 350-351 for housing specification

**PAR20
REMODEL
HG-4PR**



Cut Hole:
4 3/8"

Dimension:
13 1/4"L x 4 7/8"W x 4 3/8"H

**NEW CONSTRUCTION HOUSING
HG-4PN**



Cut Hole:
4 3/8"

Dimension:
12 1/8"L x 7 3/4"W x 4 3/8"H

**INSULATED CEILING HOUSING
HG-4PI**



Cut Hole:
4 3/8"

Dimension:
8"L x 5"W x 6"H

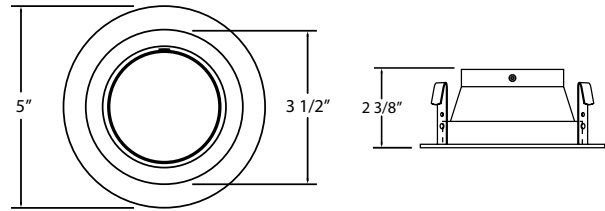
4" RECESSED PAR20



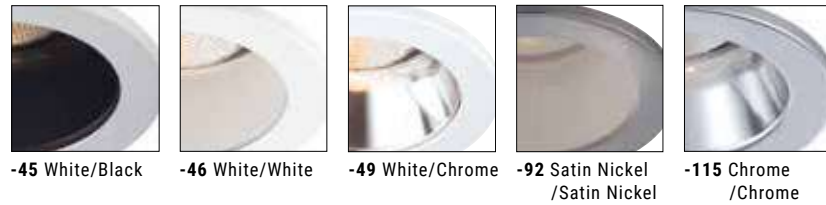
BULB OPTIONS:
PAR20
 BULB TYPE: PAR20
 VOLTAGE: 120V
 MAX. WATTAGE: 50W
 BULB SOCKET: E26

TR-P402 | 4" SPECULAR REFLECTOR

PRODUCT DIMENSION:



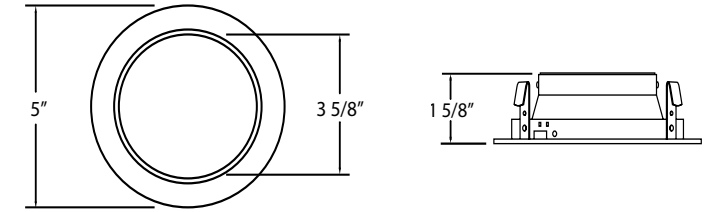
FINISHES:



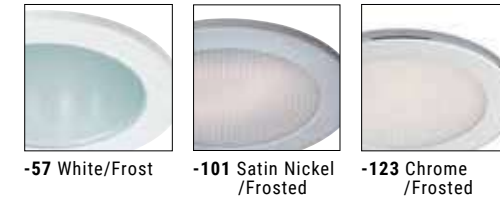
BULB OPTIONS:
PAR20
 BULB TYPE: PAR20
 VOLTAGE: 120V
 MAX. WATTAGE: 50W
 BULB SOCKET: E26

TR-P405 | 4" SHOWER FLAT GLASS

PRODUCT DIMENSION:



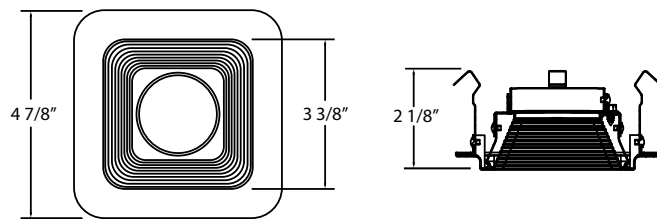
FINISHES:



BULB OPTIONS:
PAR20
 BULB TYPE: PAR20
 VOLTAGE: 120V
 MAX. WATTAGE: 50W
 BULB SOCKET: E26

19164 | 4" SQUARE BAFFLE

PRODUCT DIMENSION:



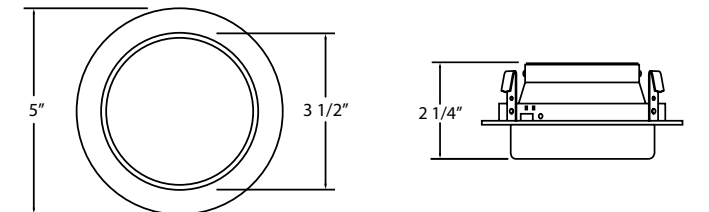
FINISHES:



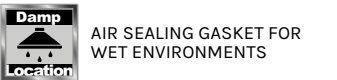
BULB OPTIONS:
PAR20
 BULB TYPE: PAR20
 VOLTAGE: 120V
 MAX. WATTAGE: 50W
 BULB SOCKET: E26

21780 | 4" SHOWER DROPPED GLASS

PRODUCT DIMENSION:



FINISHES:



HOUSING OPTIONS (SOLD SEPARATELY) Refer to page 350-351 for housing specification

PAR20 REMODEL
 HG-4PR

Cut Hole: 4 3/8"
Dimension: 13 1/4"L x 4 7/8"W x 4 3/8"H

NEW CONSTRUCTION HOUSING
 HG-4PN

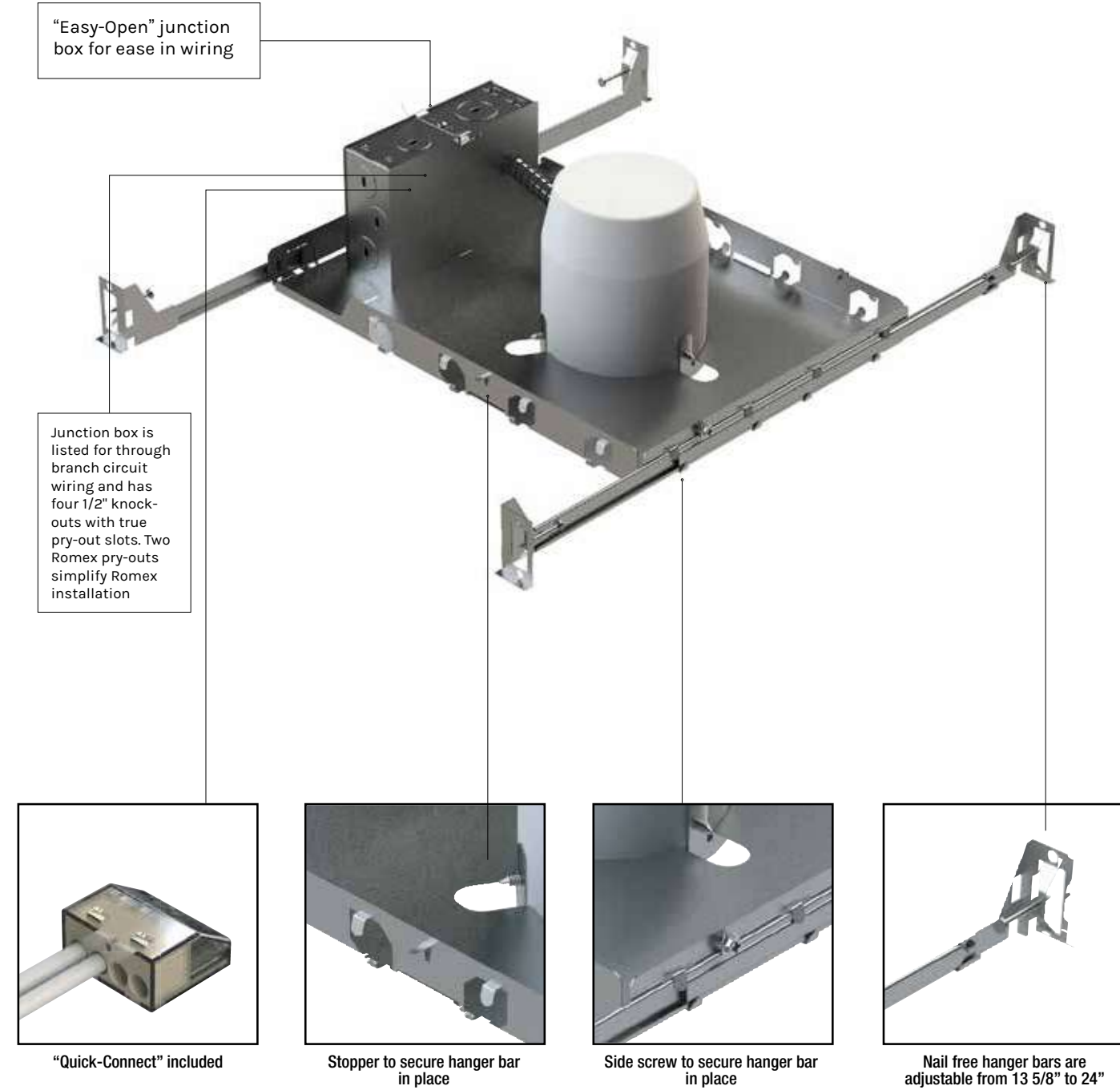
Cut Hole: 4 3/8"
Dimension: 12 1/8"L x 7 3/4"W x 4 3/8"H

INSULATED CEILING HOUSING
 HG-4PI

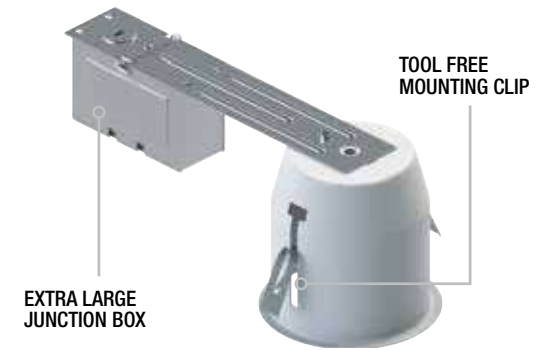
Cut Hole: 4 3/8"
Dimension: 8"L x 5"W x 6"H

PAR20 NEW CONSTRUCTION FRAME-IN PLATE

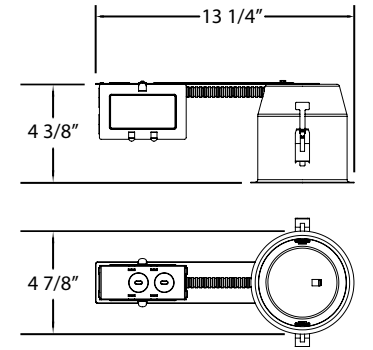
For non-insulated ceilings or where insulation must be kept 3" away from housing



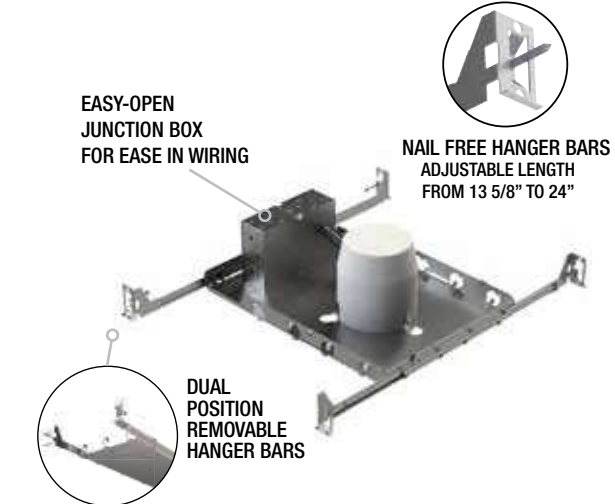
PAR20 REMODEL HOUSING



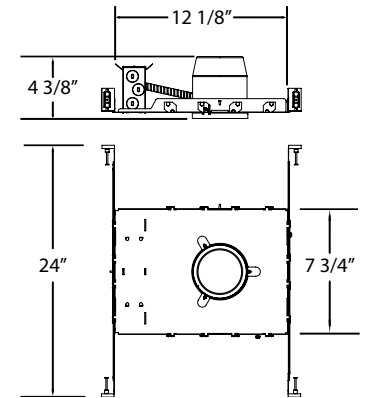
- HG-4PR**
- Housing with thermal protector
 - Junction box is listed for through branch circuit wiring and has four 1/2" knockouts with true pry-out slots. Two Romex pry-outs simplify Romex installation
 - Two remodeling clips accommodate ceiling thickness up to 3/4"
 - For non-insulated ceilings or where insulation must be kept 3" away from housing
 - 50W MAX PAR20
 - 120V
 - Cut hole size 4 3/8"



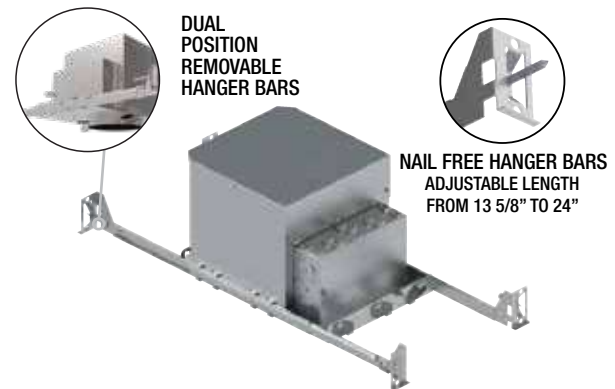
PAR20 NEW CONSTRUCTION FRAME-IN HOUSING



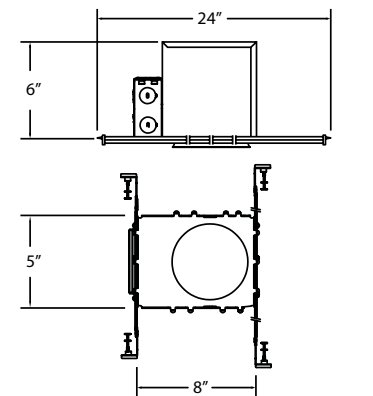
- HG-4PN**
- Housing with thermal protector
 - Nail free hanger bars are adjustable from 13 5/8" to 24"
 - Junction box is listed for through branch circuit wiring and has seven 1/2" knockouts with true pry-out slots. Four Romex pry-outs simplify Romex installation
 - For non-insulated ceilings or where insulation must be kept 3" away from housing
 - 50W MAX PAR20
 - 120V
 - Cut hole size 4 3/8"



PAR20 INSULATED CEILING HOUSING - AIRTIGHT

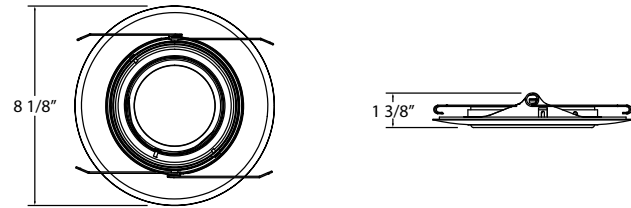


- HG-4PI**
- Housing with thermal protector
 - For insulated ceilings and direct contact with insulation
 - HG-4PI is Airtight and prevents airflow between the attic and living areas. The Airtight construction limits air exchange between the plenum, heated and air conditioned areas with double wall housing construction
 - 50W MAX PAR20
 - 120V
 - Cut hole size 4 3/8"



19172 | 6" GIMBAL

PRODUCT DIMENSION:



BULB OPTIONS:

PAR30

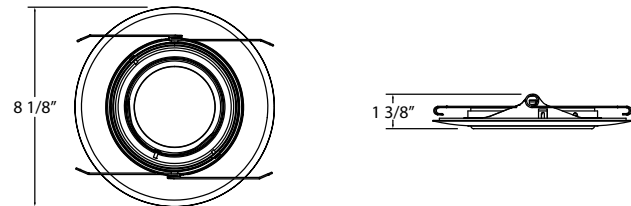
BULB TYPE: PAR30
 VOLTAGE: 120V
 MAX. WATTAGE: 75W
 BULB SOCKET: E26

FINISHES:



19327 | 6" GIMBAL

PRODUCT DIMENSION:

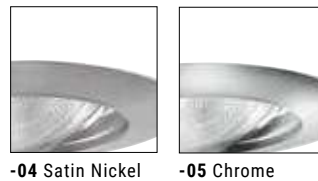


BULB OPTIONS:

PAR30

BULB TYPE: PAR30
 VOLTAGE: 120V
 MAX. WATTAGE: 75W
 BULB SOCKET: E26

FINISHES:



HOUSING OPTIONS (SOLD SEPARATELY)

Refer to page 358-359 for housing specification

**PAR30
 REMODEL
 HG-6PR**



Cut Hole:
6 1/4"

Dimension:
10 7/8"L x 6 3/4"W x 7 1/2"H

**REMODEL SHALLOW APPLICATION
 21953-019**



Cut Hole:
6 1/4"

Dimension:
14 1/4"L x 6 7/8"W x 5 3/4"H

**NEW CONSTRUCTION AIRTIGHT
 HG-6PIAP**



Cut Hole:
6 3/8"

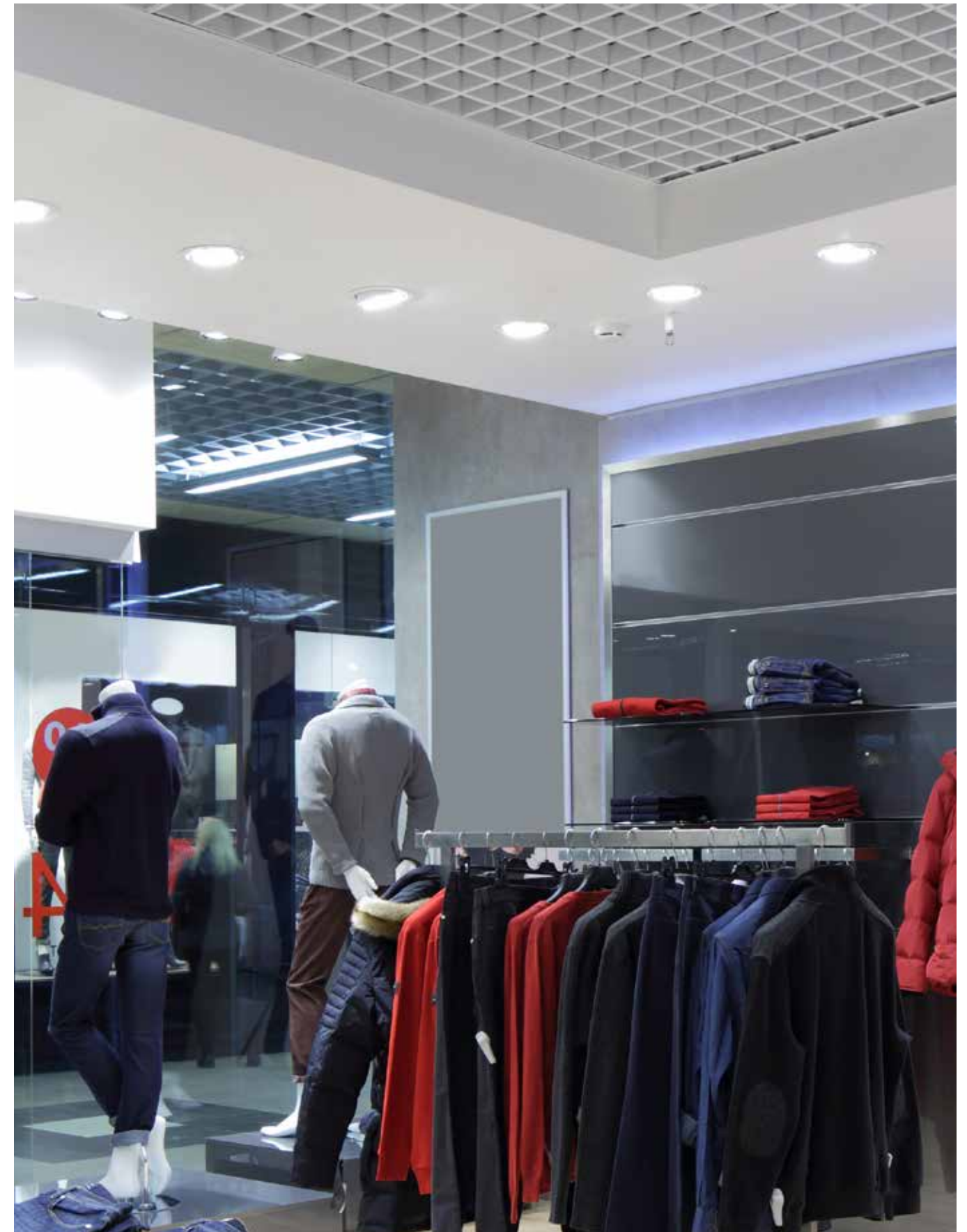
Dimension:
9 1/2"L x 6 5/8"W x 7 1/2"H

**NEW CONSTRUCTION SHALLOW APPLICATION
 21954-016**



Cut Hole:
6 3/8"

Dimension:
9 1/2"L x 6 5/8"W x 5 1/2"H



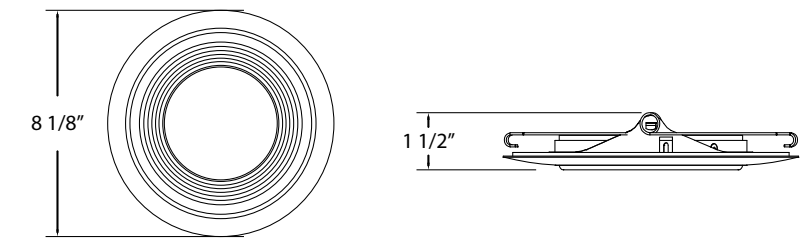


BULB OPTIONS:

PAR30	
BULB TYPE:	PAR30
VOLTAGE:	120V
MAX. WATTAGE:	75W
BULB SOCKET:	E26

TR-P602 | 6" STEPPED BAFFLE

PRODUCT DIMENSION:



FINISHES:



-45 White/Black -46 White/White

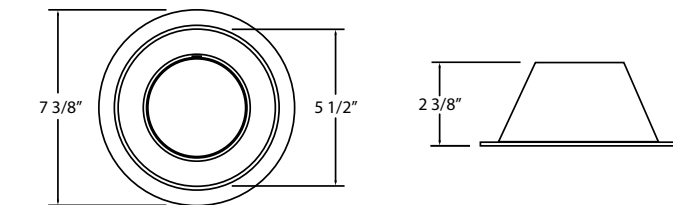


BULB OPTIONS:

PAR38	
BULB TYPE:	PAR38
VOLTAGE:	120V
MAX. WATTAGE:	150W
BULB SOCKET:	E26

TR-P603-49 | 6" SPECULAR BAFFLE

PRODUCT DIMENSION:



FINISHES:



-49 White/Chrome

HOUSING OPTIONS (SOLD SEPARATELY)

Refer to page 358-359 for housing specification

**PAR30
REMODEL
HG-6PR**



Cut Hole:
6 1/4"

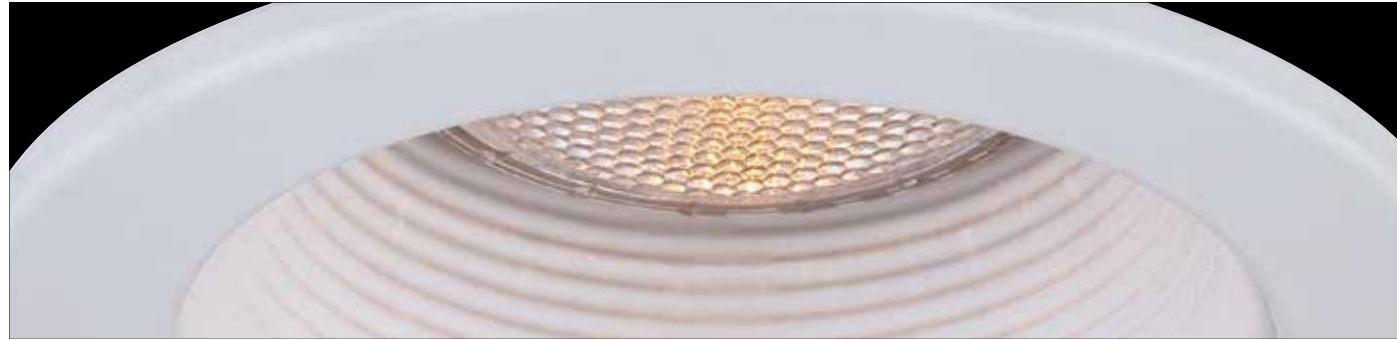
Dimension:
10 7/8"L x 6 3/4"W x 7 1/2"H

**REMODEL SHALLOW APPLICATION
21953-019**



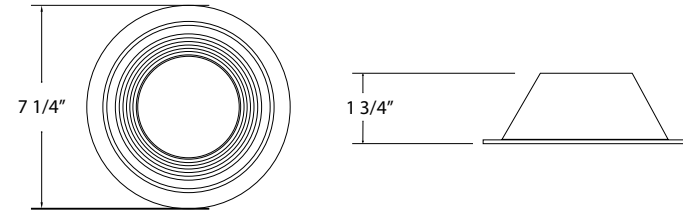
Cut Hole:
6 1/4"

Dimension:
14 1/4"L x 6 7/8"W x 5 3/4"H



TR-P601 | 6" STEPPED BAFFLE

PRODUCT DIMENSION:



FINISHES:



-45 White/Black -46 White/White

BULB OPTIONS:

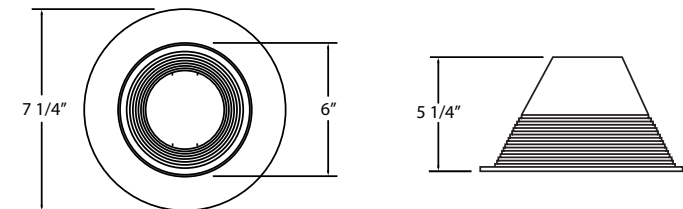
PAR38

BULB TYPE: PAR38
VOLTAGE: 120V
MAX. WATTAGE: 150W
BULB SOCKET: E26



19170 | 6" STEPPED BAFFLE AIR PROOF

PRODUCT DIMENSION:



FINISHES:



-45 White/Black -46 White/White

BULB OPTIONS:

PAR30

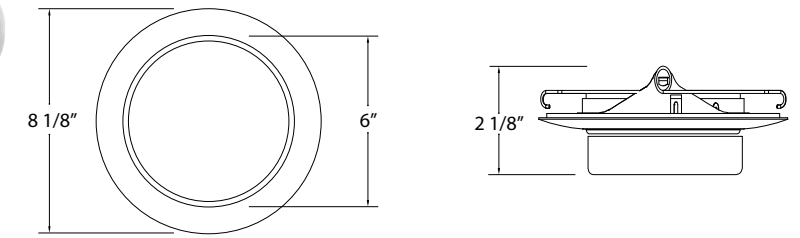
BULB TYPE: PAR30
VOLTAGE: 120V
MAX. WATTAGE: 75W
BULB SOCKET: E26



TR-A601 | 6" SHOWER DROPPED GLASS



PRODUCT DIMENSION:



BULB OPTIONS:

A19

BULB TYPE: A19
VOLTAGE: 120V
MAX. WATTAGE: 60W
BULB SOCKET: E26

FINISHES:



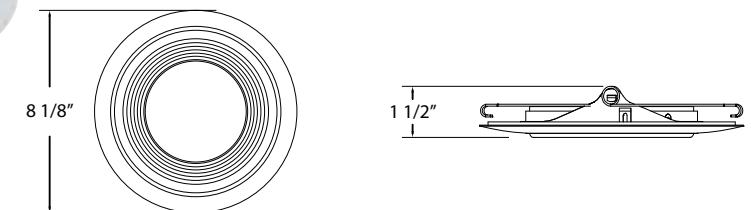
-57 White/Frost -101 Satin Nickel/Frost



TR-A602 | 6" ALBALITE SHOWER



PRODUCT DIMENSION:

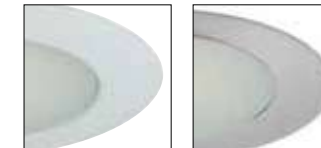


BULB OPTIONS:

A19

BULB TYPE: A19
VOLTAGE: 120V
MAX. WATTAGE: 60W
BULB SOCKET: E26

FINISHES:



-57 White/Frost -101 Satin Nickel/Frost

HOUSING OPTIONS (SOLD SEPARATELY)

Refer to page 358-359 for housing specification

**PAR30
REMODEL
HG-6PR**



Cut Hole:
6 1/4"

Dimension:
10 7/8"L x 6 3/4"W x 7 1/2"H

**REMODEL SHALLOW APPLICATION
21953-019**



Cut Hole:
6 1/4"

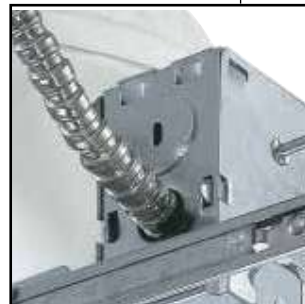
Dimension:
14 1/4"L x 6 7/8"W x 5 3/4"H

PAR20 NEW CONSTRUCTION FRAME-IN PLATE

For non-insulated ceilings or where insulation must be kept 3" away from housing



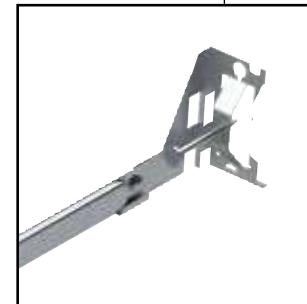
The Airtight construction limits air exchange between the plenum, heated and air conditioned areas



Junction box is listed for through branch circuit wiring and has seven 1/2" knockouts with true pry-out slots. Four Romex pry-outs simplify Romex installation



"Quick-Connect" included



Nail free hanger bars are adjustable from 13 5/8" to 24"

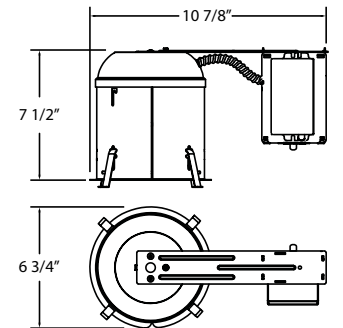


REMODEL HOUSING



HG-6PR

- Housing with thermal protector
- Junction box is listed for through branch circuit wiring and has four 1/2" knockouts with true pry-out slots. Two Romex pry-outs simplify Romex installation
- Two remodeling clips accommodate ceiling thickness up to 3/4"
- For non-insulated ceilings or where insulation must be kept 3" away from housing
- 150W MAX PAR 30 OR 150W MAX PAR 38
- 120V
- Cut hole size 6 1/4"

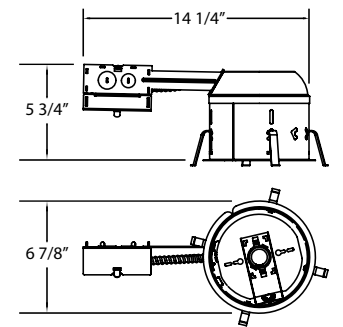


REMODEL SHALLOW HOUSING



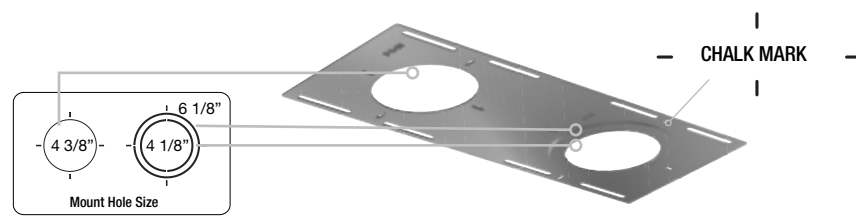
21953-019

- Housing with thermal protector
- Junction box is listed for through branch circuit wiring and has four 1/2" knockouts with true pry-out slots. Two Romex pry-outs simplify Romex installation
- For non-insulated ceilings or where insulation must be kept 3" away from housing
- 150W MAX PAR 30 OR 150W MAX PAR 38
- 120V
- Cut hole size 6 1/4"



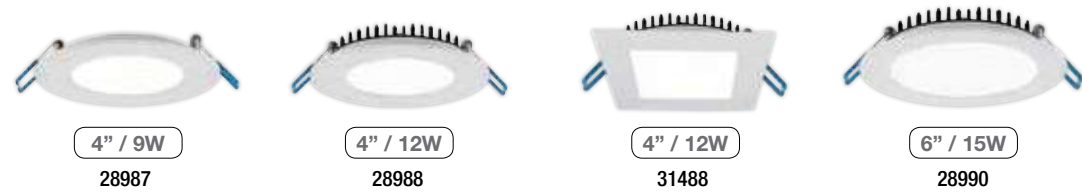
ACCESSORIES

3 IN 1 SMASH PLATE FOR ULTRA SLIM LED RECESSED (P284-285)

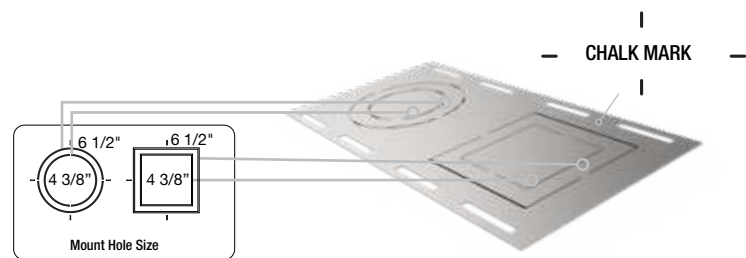


31278-010

- New Construction Smash Plate will accommodate Eurofase Ultra Slim LED Recessed (p61-62)
- Cut hole size 4 1/8", 4 3/8" and 6 1/8"



4 IN 1 SMASH PLATE FOR RIBBED LED RECESSED (P286-287)

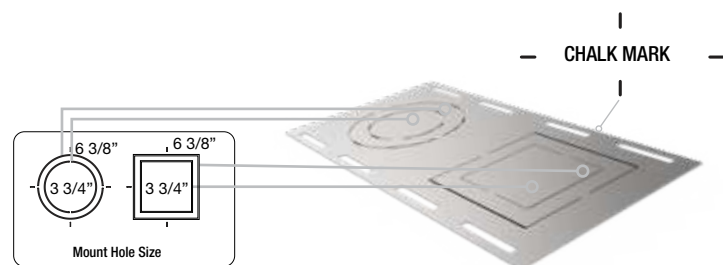


32552-010

- New Construction Smash Plate will accommodate Eurofase Ribbed LED Recessed (p63-64)
- Cut hole size 4 3/8" and 6 3/8", Round and square



4 IN 1 SMASH PLATE FOR DOMED LED RECESSED (P290-291)

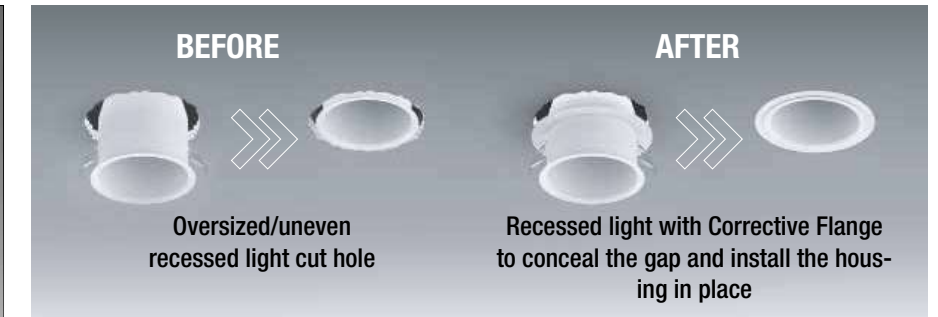
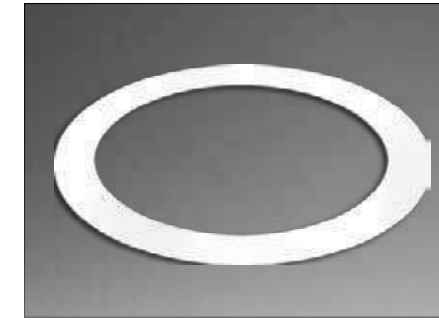


32553-017

- New Construction Smash Plate will accommodate Eurofase Domed LED Recessed p67-68
- Cut hole size 3 3/4" and 6 3/8" Round and Square

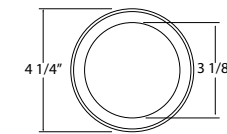


CORRECTIVE FLANGE



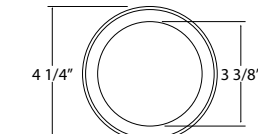
12997-015 | 3" CORRECTIVE FLANGE

For use with Eurofase recessed housings and trims, 3" small aperture series.



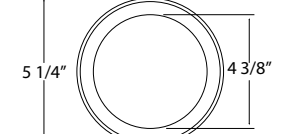
15024-015 | 3 1/4" CORRECTIVE FLANGE

For use with Eurofase recessed housings and trims, 3 1/4" small aperture series.

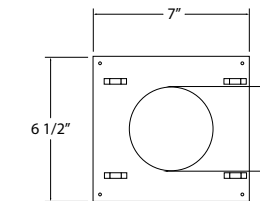


12998-012 | 4" CORRECTIVE FLANGE

For use with Eurofase recessed housings and trims, 4" small aperture series.



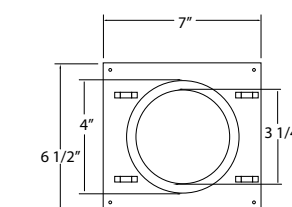
SMASH PLATE 3", 12-PACK



21948-018

For use with recessed housings and trims, 3" small aperture series.

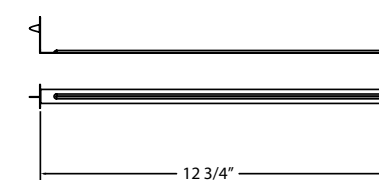
SMASH PLATE 3 1/4" AND 4", 12-PACK



24119-016

For use with recessed housings and trims, 3 1/4" and 4" aperture series

HANGER BARS FOR SMASH PLATE



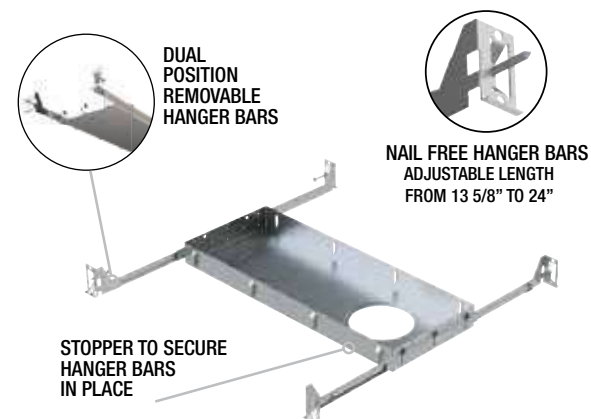
22277-015

For use with 21948-018 and 24119-016 smash plate.

ACCESSORIES

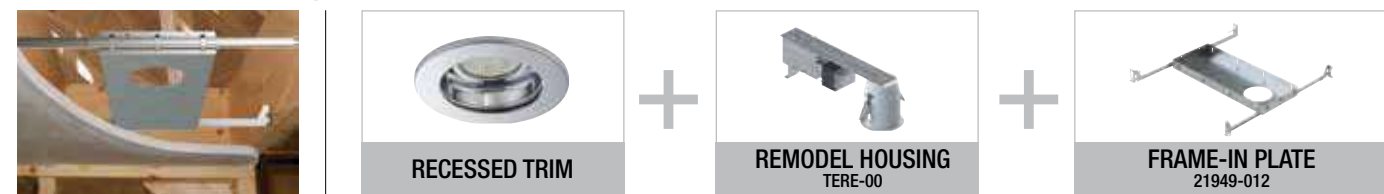
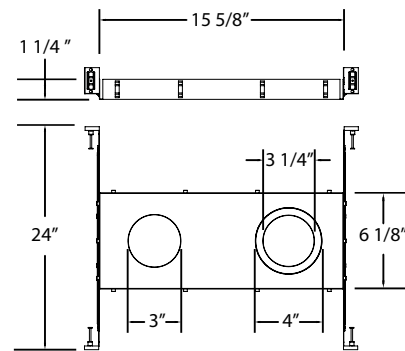
NEW CONSTRUCTION APPLICATION

To be use with all Eurofase 3", 3 1/4", 4" remodel housing.



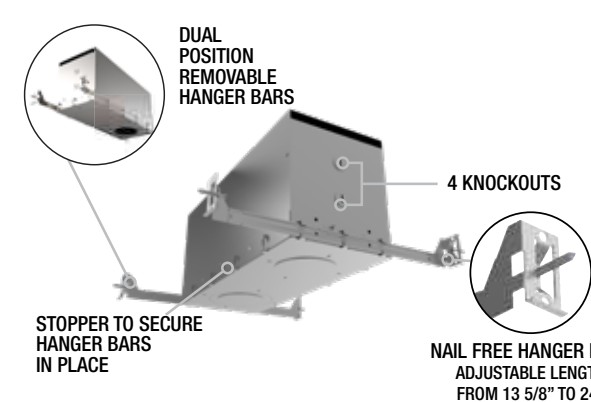
VHG-4N01-00

- New Construction Frame-In Plate will accommodate 3", 3 1/4" and 4" fixture
- Nail free hanger bars are adjustable from 13 5/8" to 24"
- For non-insulated ceilings or where insulation must be kept 3" away from housing
- Cut hole size 3 1/4", 3 1/2", 4 3/8"



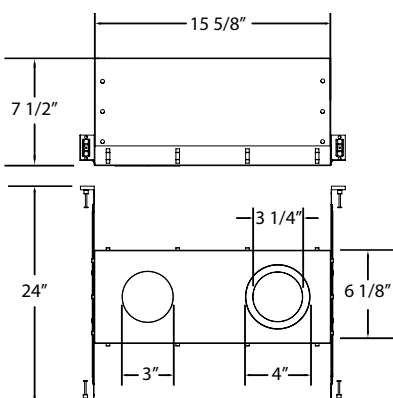
INSULATED CEILING APPLICATION

To be use with all Eurofase 3", 3 1/4", 4" remodel housing.



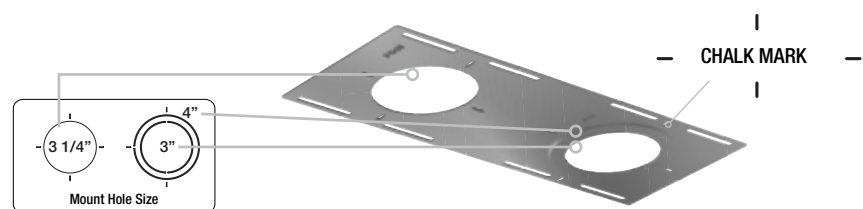
VHG-4I01-00

- For insulated ceilings and direct contact with insulation
- Insulated Ceiling Housing will accommodate 3", 3 1/4" and 4" fixture
- Nail free hanger bars are adjustable from 13 5/8" to 24"
- To be used with all Eurofase 3", 3 1/4", 4" remodel housing
- Cut hole size 3 1/4", 3 1/2", 4 3/8"



3 IN 1 SMASH PLATE

To be use with standard Eurofase 3", 3 1/4", 4" remodel housing.



20033-019

- New Construction Smash Plate will accommodate 3", 3 1/4" and 4" fixture
- For non-insulated ceilings or where insulation must be kept 3" away from housing
- Cut hole size 3 1/4", 3 1/2" and 4 3/8"

INDEX

MODEL #	PAGE #	MODEL #	PAGE #	MODEL #	PAGE #	MODEL #	PAGE #
12997-015	361	19596-02	322	23336-05	336	24059-015	76
12998-012	361	19596-03	322	23336-06	336	24059-015	126
14486-01	330	19596-04	322	23336-08	336	24060-011	80
14486-02	330	19596-05	322	23336-09	336	24060-011	130
14486-03	330	19596-06	322	23337-01	336	24061-018	78
14486-04	330	19596-08	322	23337-02	336	24061-018	128
14486-05	330	19596-09	322	23337-04	336	24062-015	131
14486-06	330	19597-01	322	23337-05	336	24063-012	57
14486-08	330	19597-02	322	23337-08	336	24063-012	89
14486-09	330	19597-03	322	23660-01	297	24063-012	101
15024-015	361	19597-04	322	23660-02	297	24064-019	59
19158-01	330	19597-05	322	23660-04	297	24064-019	91
19158-02	330	19597-06	322	23660-05	297	24064-019	103
19158-03	330	19597-08	322	23660-06	297	24065-016	61
19158-04	330	19597-09	322	23660-08	297	24065-016	93
19158-05	330	20033-019	362	23660-09	297	24065-016	105
19158-06	330	21777-45	320	23929-11	300	24066-013	107
19158-08	330	21777-46	320	23930-11	300	24066-020	63
19158-09	330	21777-89	320	23931-05	307	24066-020	95
19159-01	334	21778-115	320	23932-05	307	24067-010	73
19159-02	334	21778-45	320	23933-05	305	24068-017	75
19159-03	334	21778-49	320	23934-05	305	24069-014	77
19159-04	334	21779-01	323	23935-11	303	24070-010	79
19159-05	334	21779-02	323	23936-11	303	24071-017	56
19159-06	334	21779-03	323	23937-05	311	24071-017	88
19159-08	334	21779-04	323	23938-05	311	24071-017	100
19159-09	334	21779-05	323	23939-11	301	24071-017	114
19160-45	333	21779-06	323	23940-11	301	24071-017	134
19161-57	339	21779-08	323	24051-019	56	24071-017	146
19162-01	331	21779-09	323	24051-019	88	24072-014	58
19162-02	331	21780-101	349	24051-019	100	24072-014	90
19162-03	331	21780-123	349	24051-019	114	24072-014	102
19162-04	331	21780-57	349	24051-019	134	24072-014	115
19162-06	331	21809-019	257	24051-019	146	24072-014	135
19162-08	331	21811-012	264	24052-016	58	24072-014	147
19163-45	345	21813-016	272	24052-016	90	24073-011	60
19163-46	345	21864-018	268	24052-016	102	24073-011	92
19163-89	345	21948-018	361	24052-016	115	24073-011	104
19163-90	345	21953-019	359	24052-016	135	24073-011	116
19164-45	348	21968-013	258	24052-016	147	24073-011	136
19164-46	348	21970-016	265	24053-013	60	24073-011	148
19165-01	344	22277-015	361	24053-013	92	24074-018	64
19165-02	344	22748-10	315	24053-013	104	24074-018	96
19165-03	344	22749-10	315	24053-013	116	24074-018	108
19165-04	344	22750-10	314	24053-013	136	24074-018	118
19165-05	344	22751-10	314	24053-013	148	24074-018	137
19165-06	344	23283-015	238	24054-010	64	24074-018	149
19165-08	344	23284-012	239	24054-010	96	24075-015	62
19165-09	344	23286-01	298	24054-010	108	24075-015	94
19167-01	344	23286-02	298	24054-010	118	24075-015	106
19167-02	344	23286-04	298	24054-010	137	24075-015	117
19167-03	344	23286-05	298	24054-010	149	24075-015	138
19167-04	344	23286-08	298	24055-017	62	24075-015	150
19167-05	344	23287-01	298	24055-017	94	24076-012	109
19167-06	344	23287-02	298	24055-017	106	24076-012	119
19167-08	344	23287-03	298	24055-017	117	24076-012	139
19170-45	356	23287-04	298	24055-017	138	24076-012	151
19170-46	356	23287-05	298	24055-017	150	24077-019	72
19172-02	352	23287-06	298	24056-014	109	24077-019	122
19172-04	352	23336-01	336	24057-011	72	24078-016	74
19172-05	352	23336-02	336	24057-011	122	24078-016	124
19327-04	352	23336-03	336	24058-018	74	24079-013	76
19327-05	352	23336-04	336	24058-018	124	24079-013	126

INDEX

MODEL #	PAGE #	MODEL #	PAGE #	MODEL #	PAGE #	MODEL #	PAGE #
24080-019	80	28721-35-017	16	30305-01	148	30378-018	57
24080-019	130	28721-35-025	16	30305-02	148	30378-018	89
24081-016	78	28722-30-014	17	30305-0N	148	30378-018	101
24081-016	128	28722-30-021	17	30306-01	149	30378-018	103
24082-013	131	28722-35-014	17	30306-02	149	30379-015	59
24083-010	57	28722-35-021	17	30306-0N	149	30379-015	91
24083-010	89	28987-017	284	30307-01	150	30379-015	93
24083-010	101	28987-024	284	30307-02	150	30380-011	61
24084-017	59	28988-014	284	30307-0N	150	30380-011	105
24084-017	91	28988-021	284	30308-01	151	30381-018	107
24084-017	103	28988-032	284	30308-02	151	30382-015	63
24085-014	61	28990-017	285	30308-0N	151	30382-015	95
24085-014	93	28990-024	285	30313-019	222	30383-012	73
24085-014	105	29482-016	229	30314-016	222	30384-019	75
24086-028	63	29484-010	229	30315-013	222	30385-016	77
24086-028	95	29485-017	229	30345-010	170	30386-013	79
24086-028	107	29486-014	228	30346-017	171	30425-02	290
24087-018	73	29488-018	228	30351-011	244	30426-02	290
24088-015	75	29489-015	228	30366-015	56	30440-012	213
24089-012	77	29681-013	263	30366-015	88	30442-016	214
24090-018	79	29681-024	263	30366-015	100	30443-013	215
24119-016	361	29682-010	262	30366-015	114	30444-010	215
24799-04	312	29682-028	262	30366-015	134	30530-010	18
24799-05	312	29683-017	277	30366-015	146	30530-026	18
24800-04	312	29683-025	277	30367-012	58	30531-017	16
24800-05	312	29684-014	276	30367-012	90	30531-021	16
24801-04	313	29684-023	276	30367-012	102	30532-014	24
24801-05	313	30233-02	158	30367-012	115	30532-023	24
24802-05	306	30234-02	159	30367-012	135	30533-011	26
24808-101	304	30235-02	160	30367-012	147	30533-028	26
24808-123	304	30236-02	161	30368-019	60	30534-018	18
27991-015	234	30237-02	162	30368-019	92	30535-015	16
27992-012	234	30274-013	212	30368-019	104	30536-012	24
27993-019	234	30276-017	212	30368-019	116	30537-019	26
27994-016	235	30277-014	213	30368-019	136	31051-019	158
27995-013	235	30278-011	213	30368-019	148	31052-016	159
28316-016	235	30290-013	223	30369-016	64	31053-013	160
28715-30-016	26	30292-017	223	30369-016	96	31054-010	161
28715-30-024	26	30293-014	223	30369-016	108	31055-017	162
28715-35-016	26	30297-01	134	30369-016	118	31056-014	158
28715-35-024	26	30297-02	134	30369-016	137	31057-017	159
28716-30-013	27	30297-0N	134	30369-016	149	31058-018	160
28716-30-028	27	30298-01	135	30370-012	62	31059-015	161
28716-35-013	27	30298-02	135	30370-012	94	31060-011	162
28716-35-028	27	30298-0N	135	30370-012	106	31137-010	158
28717-30-010	24	30299-01	136	30370-012	117	31138-017	159
28717-30-024	24	30299-02	136	30370-012	138	31139-014	160
28717-35-010	24	30299-0N	136	30370-012	150	31140-010	161
28717-35-024	24	30300-01	137	30371-019	109	31141-017	162
28718-30-017	25	30300-02	137	30371-019	119	31206-013	206
28718-30-028	25	30300-0N	137	30371-019	139	31207-010	206
28718-35-017	25	30301-01	138	30371-019	151	31208-017	207
28718-35-028	25	30301-02	138	30372-016	72	31210-010	206
28719-30-014	18	30301-0N	138	30372-016	122	31215-015	207
28719-30-028	18	30302-01	139	30373-013	74	31216-02	248
28719-35-014	18	30302-02	139	30373-013	124	31216-04	248
28719-35-028	18	30302-0N	139	30374-010	76	31218-02	253
28720-30-010	19	30303-01	146	30374-010	126	31220-02	252
28720-30-021	19	30303-02	146	30375-017	80	31222-02	254
28720-35-010	19	30303-0N	146	30375-017	130	31224-02	249
28720-35-021	19	30304-01	147	30376-014	78	31224-04	249
28721-30-017	16	30304-02	147	30376-014	128	31228-57	251
28721-30-025	16	30304-0N	147	30377-011	131	31242-02	286

INDEX

MODEL #	PAGE #	MODEL #	PAGE #	MODEL #	PAGE #	MODEL #	PAGE #
31243-02	286	32507-015	244	35140-35-01	45	36025-35-01	29
31244-02	287	32508-012	245	35140-35-02	45	36025-35-02	29
31245-02	287	32509-017	245	35141-30-01	38	36026-30-01	30
31278-010	284	32552-010	286	35141-30-02	38	36026-30-02	30
31278-010	360	32552-010	287	35141-35-01	38	36026-35-01	30
31421-010	123	32552-010	360	35141-35-02	38	36026-35-02	30
31422-017	123	32553-017	290	35142-30-01	39	36027-30-01	31
31423-014	123	32553-017	291	35142-30-02	39	36027-30-02	31
31424-011	125	32553-017	360	35142-35-01	39	36027-35-01	31
31425-018	125	32639-018	265	35142-35-02	39	36027-35-02	31
31426-015	125	32687-019	197	35143-30-01	46	36203-017	36
31427-015	127	32688-016	197	35143-30-02	46	36205-011	38
31428-019	127	32689-013	197	35143-35-01	46	36206-018	38
31429-016	127	33520-018	248	35143-35-02	46	36208-012	40
31430-012	129	33617-015	201	35144-30-01	47	36209-019	40
31431-019	129	33618-012	201	35144-30-02	47	36211-012	42
31432-016	129	33619-019	201	35144-35-01	47	36212-019	42
31433-02	291	34890-30-01	240	35144-35-02	47	36214-013	44
31434-02	291	34890-30-02	240	35145-30-01	40	36215-010	44
31488-013	285	34890-40-01	240	35145-30-02	40	36217-014	46
31488-020	285	34890-40-02	240	35145-35-01	40	36218-011	46
31488-037	285	34891-30-01	241	35145-35-02	40	36220-014	48
31667-101	250	34891-30-02	241	35146-30-01	41	36221-011	48
31667-123	250	34891-40-01	241	35146-30-02	41	36223-015	50
31667-57	250	34891-40-02	241	35146-35-01	41	36224-012	50
31681-49	255	34892-30-01	243	35146-35-02	41	36226-016	28
31763-30-011	21	34892-30-02	243	35147-30-01	42	36227-013	28
31763-30-023	21	34892-40-01	243	35147-30-02	42	36229-017	30
31763-35-011	21	34892-40-02	243	35147-35-01	42	36230-013	30
31763-35-023	21	34894-30-01	237	35147-35-02	42	36255-016	36
31764-30-018	23	34894-30-02	237	35148-30-01	43	4AP-16	261
31764-30-022	23	34894-40-01	237	35148-30-02	43	4AP-25	261
31764-35-018	23	34894-40-02	237	35148-35-01	43	4AP-38	261
31764-35-022	23	34895-30-01	242	35148-35-02	43	4NC-16	260
31765-30-015	20	34895-30-02	242	35355-30-01	48	4NC-25	260
31765-30-028	20	34895-40-01	242	35355-30-02	48	4NC-38	260
31765-35-015	20	34895-40-02	242	35355-35-01	48	4RM-16	259
31765-35-028	20	34896-30-01	256	35355-35-02	48	4RM-25	259
31766-30-012	22	34896-30-02	256	35356-30-01	49	4RM-38	259
31766-30-024	22	34896-40-01	256	35356-30-02	49	6AP-16	275
31766-35-012	22	34896-40-02	256	35356-35-01	49	6AP-25	275
31766-35-024	22	34897-30-01	246	35356-35-02	49	6AP-38	275
31877-015	20	34897-30-02	246	35357-30-01	50	6NC-16	274
31878-012	22	34897-40-01	246	35357-30-02	50	6NC-25	274
31879-019	20	34897-40-02	246	35357-35-01	50	6NC-38	274
31879-023	20	34898-30-01	247	35357-35-02	50	6RM-16	273
31880-015	22	34898-30-02	247	35358-30-01	51	6RM-25	273
31880-026	22	34898-40-01	247	35358-30-02	51	6RM-38	273
31903-011	245	34898-40-02	247	35358-35-01	51	8AP-16	281
31994-019	268	35137-30-01	36	35358-35-02	51	8AP-25	281
31997-010	257	35137-30-02	36	35459-019	237	8AP-38	281
31998-017	264	35137-35-01	36	35460-015	240	8NC-16	280
32000-016	258	35137-35-02	36	35460-015	241	8NC-25	280
32001-013	272	35138-30-01	37	35460-015	242	8NC-38	280
32004-014	268	35138-30-02	37	35460-015	243	8RM-16	279
32006-018	238	35138-35-01	37	35461-012	246	8RM-25	279
32007-015	257	35138-35-02	37	35462-019	256	8RM-38	279
32008-012	264	35139-30-01	44	36024-30-01	28	GU3-00	309
32009-019	239	35139-30-02	44	36024-30-02	28	GU325	329
32010-015	258	35139-35-01	44	36024-35-01	28	GU4-00	343
32012-019	272	35139-35-02	44	36024-35-02	28	GUC3-00	309
32013-016	265	35140-30-01	45	36025-30-01	29	GUC325	329
32506-010	244	35140-30-02	45	36025-30-02	29	GUC4-00	343

INDEX

MODEL #	PAGE #	MODEL #	PAGE #	MODEL #	PAGE #	MODEL #	PAGE #
GUI3-00	309	TE112TR-0N	102	TE131LED-35-4-01	72	TE133LED-35-4-22	76
GUI325	329	TE112TR-22	102	TE131LED-35-4-02	72	TE133LED-35-4-0N	76
GUI4-00	343	TE113-01	104	TE131LED-35-4-0N	72	TE133LED-40-2-01	76
HG-4PI	351	TE113-02	104	TE131LED-35-4-22	72	TE133LED-40-2-02	76
HG-4PN	351	TE113-0N	104	TE131LED-35-4-0N	72	TE133LED-40-2-0N	76
HG-4PR	351	TE113-22	104	TE131LED-40-2-01	72	TE133LED-40-2-22	76
HG-6PR	359	TE113GU10-01	92	TE131LED-40-2-02	72	TE133LED-40-4-01	76
IC04	341	TE113GU10-02	92	TE131LED-40-2-0N	72	TE133LED-40-4-02	76
NC04-B	341	TE113GU10-0N	92	TE131LED-40-2-22	72	TE133LED-40-4-0N	76
R009-45	335	TE113GU10-22	92	TE131LED-40-4-01	72	TE133LED-40-4-22	76
R009-89	335	TE113TR-01	104	TE131LED-40-4-02	72	TE134A-01	130
R010-45	332	TE113TR-02	104	TE131LED-40-4-0N	72	TE134A-02	130
R010-46	332	TE113TR-0N	104	TE131LED-40-4-22	72	TE134A-0N	130
R010-89	332	TE113TR-22	104	TE132-01	124	TE134A-22	130
R010-90	332	TE114A-01	108	TE132-02	124	TE134ALED-30-2-01	80
R011-115	333	TE114A-02	108	TE132-0N	124	TE134ALED-30-2-02	80
R011-45	333	TE114A-0N	108	TE132-22	124	TE134ALED-30-2-0N	80
R011-49	333	TE114A-22	108	TE132LED-30-2-01	74	TE134ALED-30-2-22	80
R012-02	337	TE114AGU10-01	96	TE132LED-30-2-02	74	TE134ALED-30-4-01	80
R012-04	337	TE114AGU10-02	96	TE132LED-30-2-0N	74	TE134ALED-30-4-02	80
R013-02	335	TE114AGU10-0N	96	TE132LED-30-2-22	74	TE134ALED-30-4-0N	80
R013-03	335	TE114AGU10-22	96	TE132LED-30-4-01	74	TE134ALED-30-4-22	80
R013-04	335	TE114ATR-01	108	TE132LED-30-4-02	74	TE134ALED-35-2-01	80
R014-01	334	TE114ATR-02	108	TE132LED-30-4-0N	74	TE134ALED-35-2-02	80
R014-02	334	TE114ATR-0N	108	TE132LED-30-4-22	74	TE134ALED-35-2-0N	80
R014-03	334	TE114ATR-22	108	TE132LED-35-2-01	74	TE134ALED-35-2-22	80
R014-04	334	TE114B-01	106	TE132LED-35-2-02	74	TE134ALED-35-4-01	80
R014-05	334	TE114B-02	106	TE132LED-35-2-0N	74	TE134ALED-35-4-02	80
R014-06	334	TE114B-0N	106	TE132LED-35-2-22	74	TE134ALED-35-4-0N	80
R014-08	334	TE114B-22	106	TE132LED-35-2-0N	74	TE134ALED-35-4-22	80
R014-09	334	TE114BGU10-01	94	TE132LED-35-4-01	74	TE134ALED-40-2-01	80
RH04	341	TE114BGU10-02	94	TE132LED-35-4-02	74	TE134ALED-40-2-02	80
TE01-45	295	TE114BGU10-0N	94	TE132LED-35-4-0N	74	TE134ALED-40-2-0N	80
TE01-46	295	TE114BGU10-22	94	TE132LED-35-4-22	74	TE134ALED-40-2-22	80
TE01-89	295	TE114BTR-01	106	TE132LED-35-4-0N	74	TE134ALED-40-4-01	80
TE01-90	295	TE114BTR-02	106	TE132LED-40-2-01	74	TE134ALED-40-4-02	80
TE02-49	295	TE114BTR-0N	106	TE132LED-40-2-02	74	TE134ALED-40-4-0N	80
TE04-02	294	TE114BTR-22	106	TE132LED-40-2-0N	74	TE134ALED-40-4-22	80
TE04-04	294	TE116A-01	109	TE132LED-40-2-22	74	TE134B-01	128
TE06-89	297	TE116A-02	109	TE132LED-40-4-01	74	TE134B-02	128
TE06-90	297	TE116A-0N	109	TE132LED-40-4-02	74	TE134B-0N	128
TE111-01	100	TE116A-22	109	TE132LED-40-4-0N	74	TE134B-22	128
TE111-02	100	TE116ATR-01	109	TE132LED-40-4-22	74	TE134BLED-30-2-01	78
TE111-0N	100	TE116ATR-02	109	TE133-01	126	TE134BLED-30-2-02	78
TE111-22	100	TE116ATR-0N	109	TE133-02	126	TE134BLED-30-2-0N	78
TE111GU10-01	88	TE116ATR-22	109	TE133-0N	126	TE134BLED-30-2-22	78
TE111GU10-02	88	TE131-01	122	TE133-22	126	TE134BLED-30-4-01	78
TE111GU10-0N	88	TE131-02	122	TE133LED-30-2-01	76	TE134BLED-30-4-02	78
TE111GU10-22	88	TE131-0N	122	TE133LED-30-2-02	76	TE134BLED-30-4-0N	78
TE111TR-01	100	TE131-22	122	TE133LED-30-2-0N	76	TE134BLED-30-4-22	78
TE111TR-02	100	TE131LED-30-2-01	72	TE133LED-30-2-22	76	TE134BLED-35-2-01	78
TE111TR-0N	100	TE131LED-30-2-02	72	TE133LED-30-4-01	76	TE134BLED-35-2-02	78
TE111TR-22	100	TE131LED-30-2-0N	72	TE133LED-30-4-02	76	TE134BLED-35-2-0N	78
TE112-01	102	TE131LED-30-2-22	72	TE133LED-30-4-0N	76	TE134BLED-35-2-22	78
TE112-02	102	TE131LED-30-4-01	72	TE133LED-30-4-22	76	TE134BLED-35-2-0N	78
TE112-0N	102	TE131LED-30-4-02	72	TE133LED-35-2-01	76	TE134BLED-35-4-01	78
TE112-22	102	TE131LED-30-4-0N	72	TE133LED-35-2-02	76	TE134BLED-35-4-02	78
TE112GU10-01	90	TE131LED-30-4-22	72	TE133LED-35-2-0N	76	TE134BLED-35-4-0N	78
TE112GU10-02	90	TE131LED-35-2-01	72	TE133LED-35-2-22	76	TE134BLED-35-4-22	78
TE112GU10-0N	90	TE131LED-35-2-02	72	TE133LED-35-2-0N	76	TE134BLED-35-4-0N	78
TE112GU10-22	90	TE131LED-35-2-0N	72	TE133LED-35-4-01	76	TE134BLED-40-2-01	78
TE112TR-01	102	TE131LED-35-2-22	72	TE133LED-35-4-02	76	TE134BLED-40-2-02	78
TE112TR-02	102	TE131LED-35-2-0N	72	TE133LED-35-4-0N	76	TE134BLED-40-2-0N	78

INDEX

MODEL #	PAGE #	MODEL #	PAGE #	MODEL #	PAGE #	MODEL #	PAGE #
TE134BLED-40-2-22	78	TE162LED-40-4-0N	58	TE164BLED-30-2-02	62	TE221LED-35-4-02	73
TE134BLED-40-4-01	78	TE162LED-40-4-22	58	TE164BLED-30-2-0N	62	TE221LED-40-2-01	73
TE134BLED-40-4-02	78	TE163-01	116	TE164BLED-30-2-22	62	TE221LED-40-2-02	73
TE134BLED-40-4-0N	78	TE163-02	116	TE164BLED-30-4-01	62	TE221LED-40-4-01	73
TE134BLED-40-4-22	78	TE163-0N	116	TE164BLED-30-4-02	62	TE221LED-40-4-02	73
TE136A-01	131	TE163-22	116	TE164BLED-30-4-0N	62	TE222-01	125
TE136A-02	131	TE163LED-30-2-01	60	TE164BLED-30-4-22	62	TE222-02	125
TE136A-0N	131	TE163LED-30-2-02	60	TE164BLED-35-2-01	62	TE222LED-30-2-01	75
TE136A-22	131	TE163LED-30-2-0N	60	TE164BLED-35-2-02	62	TE222LED-30-2-02	75
TE161-01	114	TE163LED-30-2-22	60	TE164BLED-35-2-0N	62	TE222LED-30-4-01	75
TE161-02	114	TE163LED-30-4-01	60	TE164BLED-35-2-22	62	TE222LED-30-4-02	75
TE161-0N	114	TE163LED-30-4-02	60	TE164BLED-35-4-01	62	TE222LED-35-2-01	75
TE161-22	114	TE163LED-30-4-0N	60	TE164BLED-35-4-02	62	TE222LED-35-2-02	75
TE161LED-30-2-01	56	TE163LED-30-4-22	60	TE164BLED-35-4-0N	62	TE222LED-35-4-01	75
TE161LED-30-2-02	56	TE163LED-35-2-01	60	TE164BLED-35-4-22	62	TE222LED-35-4-02	75
TE161LED-30-2-0N	56	TE163LED-35-2-02	60	TE164BLED-40-2-01	62	TE222LED-40-2-01	75
TE161LED-30-2-22	56	TE163LED-35-2-0N	60	TE164BLED-40-2-02	62	TE222LED-40-2-02	75
TE161LED-30-4-01	56	TE163LED-35-2-22	60	TE164BLED-40-2-0N	62	TE222LED-40-4-01	75
TE161LED-30-4-02	56	TE163LED-35-4-01	60	TE164BLED-40-2-22	62	TE222LED-40-4-02	75
TE161LED-30-4-0N	56	TE163LED-35-4-02	60	TE164BLED-40-4-01	62	TE223-01	127
TE161LED-30-4-22	56	TE163LED-35-4-0N	60	TE164BLED-40-4-02	62	TE223-02	127
TE161LED-35-2-01	56	TE163LED-35-4-22	60	TE164BLED-40-4-0N	62	TE223LED-30-2-01	77
TE161LED-35-2-02	56	TE163LED-40-2-01	60	TE164BLED-40-4-22	62	TE223LED-30-2-02	77
TE161LED-35-2-0N	56	TE163LED-40-2-02	60	TE166A-01	119	TE223LED-30-4-01	77
TE161LED-35-2-22	56	TE163LED-40-2-0N	60	TE166A-02	119	TE223LED-30-4-02	77
TE161LED-35-4-01	56	TE163LED-40-2-22	60	TE166A-0N	119	TE223LED-35-2-01	77
TE161LED-35-4-02	56	TE163LED-40-4-01	60	TE166A-22	119	TE223LED-35-2-02	77
TE161LED-35-4-0N	56	TE163LED-40-4-02	60	TE211-01	101	TE223LED-35-4-01	77
TE161LED-35-4-22	56	TE163LED-40-4-0N	60	TE21-101	325	TE223LED-35-4-02	77
TE161LED-40-2-01	56	TE163LED-40-4-22	60	TE211-02	101	TE223LED-40-2-01	77
TE161LED-40-2-02	56	TE164A-01	118	TE21-123	325	TE223LED-40-2-02	77
TE161LED-40-2-0N	56	TE164A-02	118	TE211GU10-01	89	TE223LED-40-4-01	77
TE161LED-40-2-22	56	TE164A-0N	118	TE211GU10-02	89	TE223LED-40-4-02	77
TE161LED-40-4-01	56	TE164A-22	118	TE211TR-01	101	TE224B-01	129
TE161LED-40-4-02	56	TE164ALED-30-2-01	64	TE211TR-02	101	TE224B-02	129
TE161LED-40-4-0N	56	TE164ALED-30-2-02	64	TE212-01	103	TE224BLED-30-2-01	79
TE161LED-40-4-22	56	TE164ALED-30-2-0N	64	TE212-02	103	TE224BLED-30-2-02	79
TE162-01	115	TE164ALED-30-2-22	64	TE212GU10-01	91	TE224BLED-30-4-01	79
TE162-02	115	TE164ALED-30-4-01	64	TE212GU10-02	91	TE224BLED-30-4-02	79
TE162-0N	115	TE164ALED-30-4-02	64	TE212TR-01	103	TE224BLED-35-2-01	79
TE162-22	115	TE164ALED-30-4-0N	64	TE212TR-02	103	TE224BLED-35-2-02	79
TE162LED-30-2-01	58	TE164ALED-30-4-22	64	TE213-01	105	TE224BLED-35-4-01	79
TE162LED-30-2-02	58	TE164ALED-35-2-01	64	TE213-02	105	TE224BLED-35-4-02	79
TE162LED-30-2-0N	58	TE164ALED-35-2-02	64	TE213GU10-01	93	TE224BLED-40-2-01	79
TE162LED-30-2-22	58	TE164ALED-35-2-0N	64	TE213GU10-02	93	TE224BLED-40-2-02	79
TE162LED-30-4-01	58	TE164ALED-35-2-22	64	TE213TR-01	105	TE224BLED-40-4-01	79
TE162LED-30-4-02	58	TE164ALED-35-4-01	64	TE213TR-02	105	TE224BLED-40-4-02	79
TE162LED-30-4-0N	58	TE164ALED-35-4-02	64	TE214B-01	107	TE611LED-30-2-01	57
TE162LED-30-4-22	58	TE164ALED-35-4-0N	64	TE214B-02	107	TE611LED-30-2-02	57
TE162LED-35-2-01	58	TE164ALED-35-4-22	64	TE214BGU10-01	95	TE611LED-30-4-01	57
TE162LED-35-2-02	58	TE164ALED-40-2-01	64	TE214BGU10-02	95	TE611LED-30-4-02	57
TE162LED-35-2-0N	58	TE164ALED-40-2-02	64	TE214BTR-01	107	TE611LED-35-2-01	57
TE162LED-35-2-22	58	TE164ALED-40-2-0N	64	TE214BTR-02	107	TE611LED-35-2-02	57
TE162LED-35-4-01	58	TE164ALED-40-2-22	64	TE21-57	325	TE611LED-35-4-01	57
TE162LED-35-4-02	58	TE164ALED-40-4-01	64	TE221-01	123	TE611LED-35-4-02	57
TE162LED-35-4-0N	58	TE164ALED-40-4-02	64	TE221-02	123	TE611LED-40-2-01	57
TE164ALED-35-4-22	58	TE164ALED-40-4-0N	64	TE221LED-30-2-01	73	TE611LED-40-2-02	57
TE164ALED-40-2-01	58	TE164ALED-40-4-22	64	TE221LED-30-2-02	73	TE611LED-40-4-01	57
TE164ALED-40-2-02	58	TE164B-01	117	TE221LED-30-4-01	73	TE611LED-40-4-02	57



Eurofase Inc.
33 West Beaver Creek Road
Richmond Hill, Ontario
Canada L4B 1L8

tel 905.695.2055 toll free 1.800.660.5391
fax 905.695.2056 toll free 1.800.660.5390

Dallas Trade Mart
Eurofase Showroom, Suite #4002

www.eurofase.com



Printed in Canada
© 2019 Eurofase Inc. All rights reserved.
Product Specifications and Approvals

Eurofase Inc. reserves the right to make alterations to the construction and design of products shown in this catalog in order to meet the laws or regulations of any authorized governing organization. The use of products shown in this catalog must comply with local building codes.

